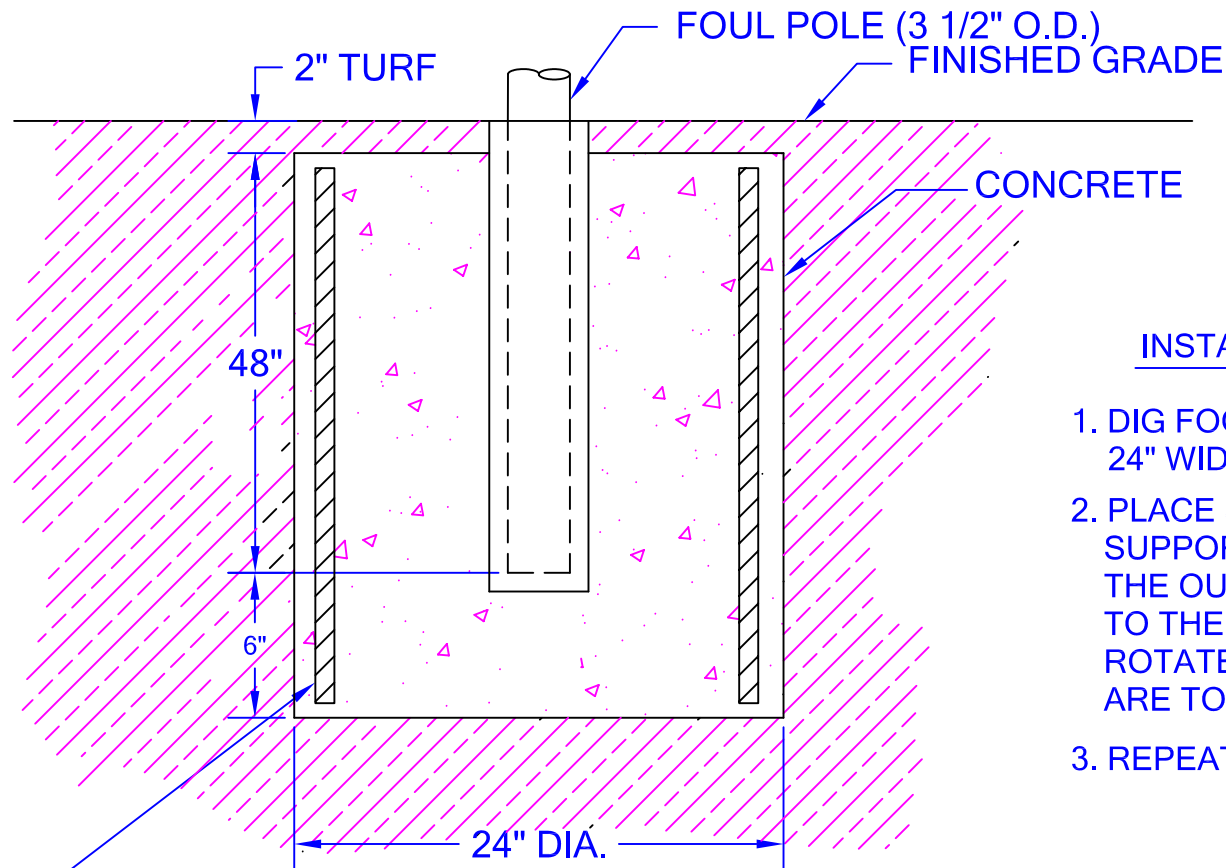


SportsEdge

800-334-6057

www.sportsedge.com



INSTALLATION INSTRUCTIONS

1. DIG FOOTING AT PROPER LOCATION
24\" WIDE x 54\" DEEP.
2. PLACE SLEEVE INTO FOOTING AND
SUPPORT IN A PLUMB CONDITION WITH
THE OUTSIDE EDGE OF THE PIPE TANGENT
TO THE OUTSIDE OF THE FOUL LINE.
ROTATE THE POST SO THAT THE PANELS
ARE TO THE INSIDE OF THE FIELD.
3. REPEAT FOR OTHER FOUL LINE.

3/4\" RE-BAR x 46\", 4 PLACES PER FOOTING
(NOT INCLUDED, TO BE PROVIDED BY
INSTALLER). THESE ARE TYPICAL FOOTING
DIMENSIONS FOR AVERAGE SOIL CONDITIONS.