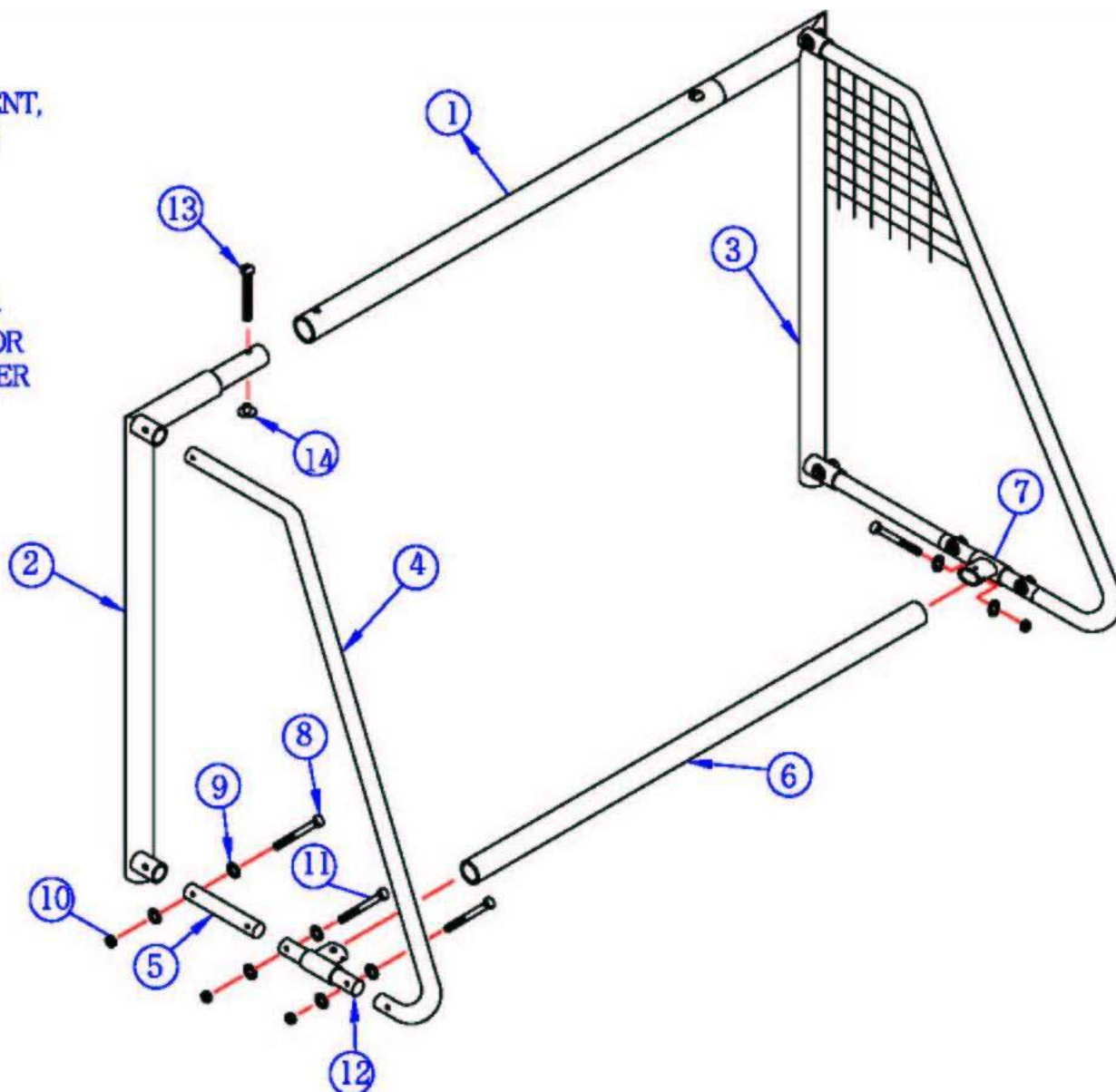
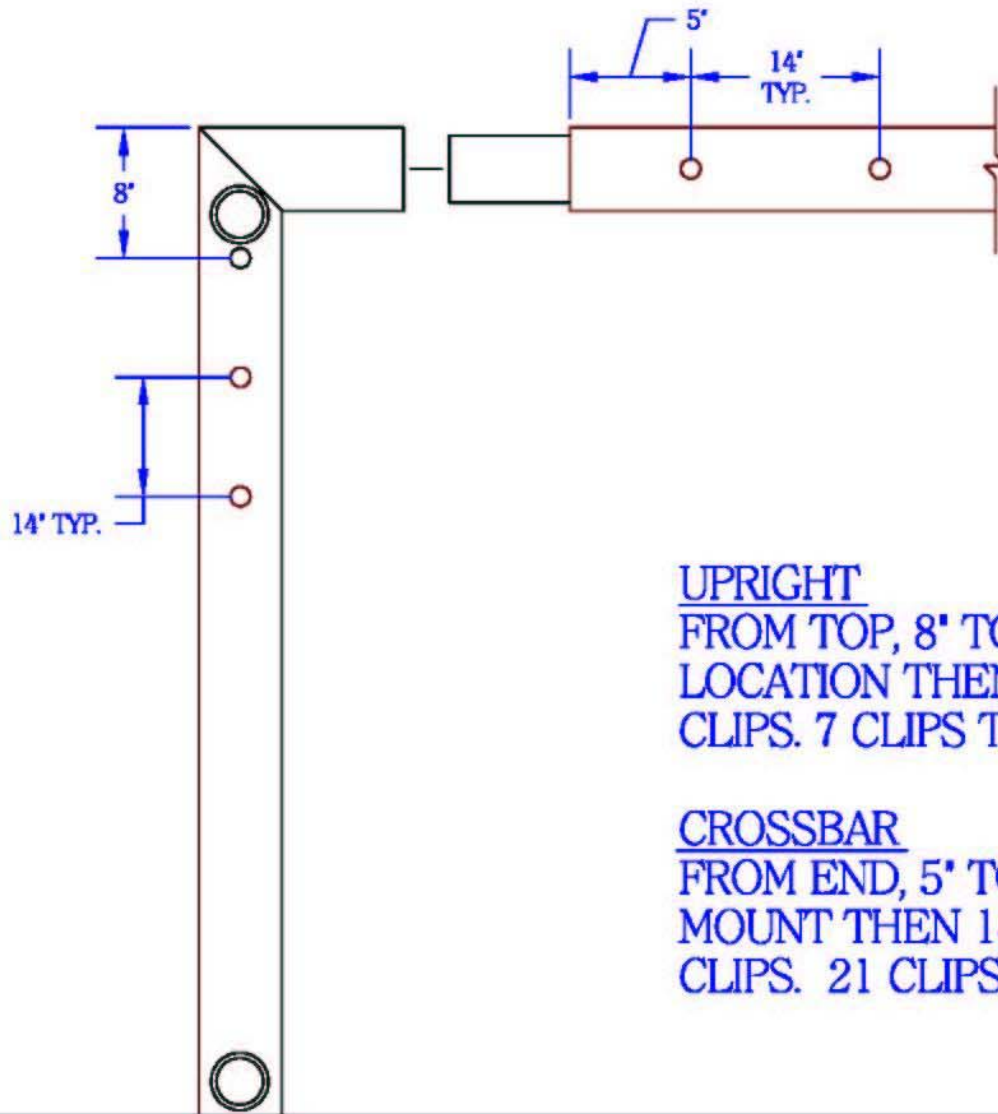


PLEASE NOTE:

- 1) FOR SAFE OPERATION AND CONTINUED HIGH PERFORMANCE FROM THIS EQUIPMENT, INSPECTION AND MAINTENANCE MUST BE PERFORMED BEFORE EACH USE
- 2) USE OF THIS EQUIPMENT OTHER THAN INTENDED, MAY BE HAZARDOUS.
- 3) ALTERATION OR MODIFICATION OF EQUIPMENT MAY BE HAZARDOUS. FOR REPAIR OR REPLACEMENT, PLEASE CALL YOUR DEALER





UPRIGHT
FROM TOP, 8' TO FIRST CLIP
LOCATION THEN 14' BETWEEN
CLIPS. 7 CLIPS TOTAL PER UPRIGHT.

CROSSBAR
FROM END, 5' TO FIRST CLIP
MOUNT THEN 14' BETWEEN
CLIPS. 21 CLIPS PER CROSSBAR.

4" ROUND ALUMINUM SOCCER GOAL

CAUTION

DO NOT HANG ON THE CROSSBAR. THIS IS DANGEROUS AND THE ADDITIONAL WEIGHT MAY DAMAGE YOUR EQUIPMENT.

IMPORTANT NOTICE

THE UNITED STATES CONSUMER PRODUCTS SAFETY COMMISSION HAS RECENTLY ADOPTED AND PUBLISHED "GUIDELINES FOR MOVABLE SOCCER GOAL SAFETY." THESE GUIDELINES OFFER INFORMATION ON THE INSTALLATION, USE AND STORAGE OF FULL-SIZE PORTABLE SOCCER GOALS AND, THROUGH THESE GUIDELINES, IT IS THE COMMISSION'S INTENT TO HELP PREVENT SERIOUS INJURIES OR DEATH RESULTING FROM ACCIDENTAL SOCCER GOAL TIP OVER.

SECURELY ANCHORING PORTABLE SOCCER GOALS, AT ALL TIMES, IS ONE IMPORTANT AND EFFECTIVE WAY TO IMPROVE SOCCER GOAL SAFETY. THE PROPER SELECTION OF APPROPRIATE ANCHORING DEVICES IS DEPENDENT ON THE NUMBER OF FACTORS AND IS UNIQUE TO INDIVIDUAL CIRCUMSTANCES. KEY ELEMENTS TO CONSIDER ARE:

- 1) GOAL WEIGHT, INHERENT STABILITY AND TYPE OF CONSTRUCTION
- 2) LOCAL FIELD CONDITIONS AND SOIL MOISTURE CONTENT
- 3) EXPECTED USAGE LEVEL AND OVERALL DEGREE OF FIELD SUPERVISION
- 4) THE NEED TO RELOCATE OR REMOVE THE GOAL ON A REGULAR AND CONTINUING BASIS