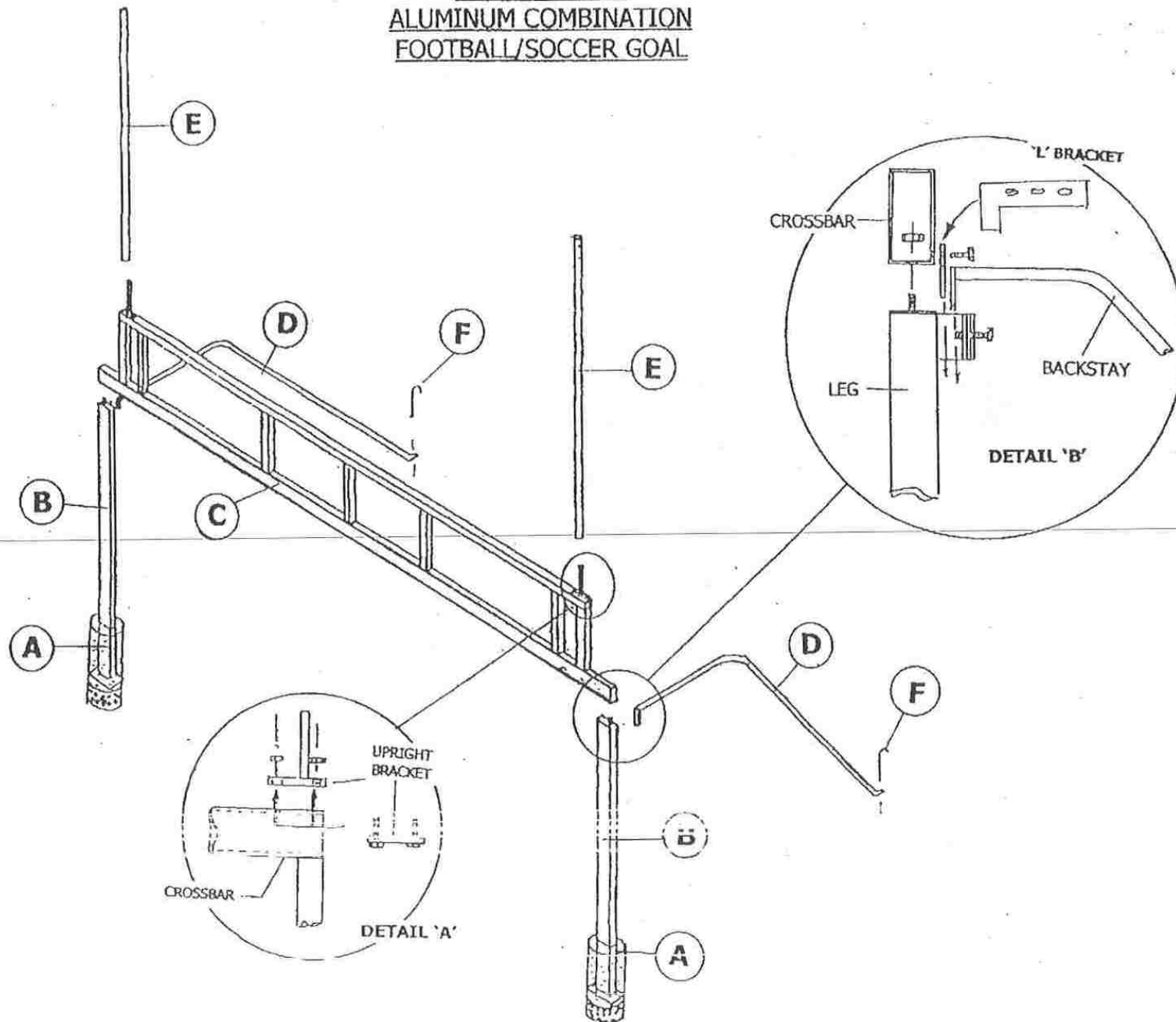


SE720

ALUMINUM COMBINATION
FOOTBALL/SOCCER GOAL



SE720

Aluminum Combination Football/Soccer Goal

<u>KEY#</u>	<u>PART</u>	<u>QTY.</u>
A	Ground Sleeves	4 ea.
B	Legs	4 ea.
C	Crossbar Assembly	2 ea.
D	Backstays	4 ea.
E	Uprights	4 ea.
F	'J' Hooks	4 ea.
	Metal net clips & Screws	1 pk.

ASSEMBLY INSTRUCTIONS:

1. Attach the Upright Brackets to the Crossbar Assembly. (C)
(See Detail 'A')
2. Next, attach the Legs (B) to the Crossbar as shown in Detail 'B'. (*Note: The Legs are slightly different. The bolt in the top of the leg is offset. The correct leg will line up the edge of the Leg and end of the Crossbar so they are flush.*)
3. Dig holes for the Ground Sleeves (A) approximately 1' in diameter, and deep enough that the Ground Sleeve is even with the top of the ground. When all holes are dug, place the assembled goal into the Ground Sleeves.
4. Now attach the Backstays to help hold the Goal in place while you level the Goal and get it completely vertical. Be sure the bottom of goal is 8' from the ground and completely level.
5. Stake the Backstays with the 'J' Hooks (F) at this time.
6. Mix and pour concrete around the Ground Sleeves. Allow 72 hours curing time before any play is permitted on the field.
7. Once the concrete has cured, install the Uprights. (E)
8. Install Net Clips to the back of the Goal with the Self-tapping screws provided. Space about 9" apart.