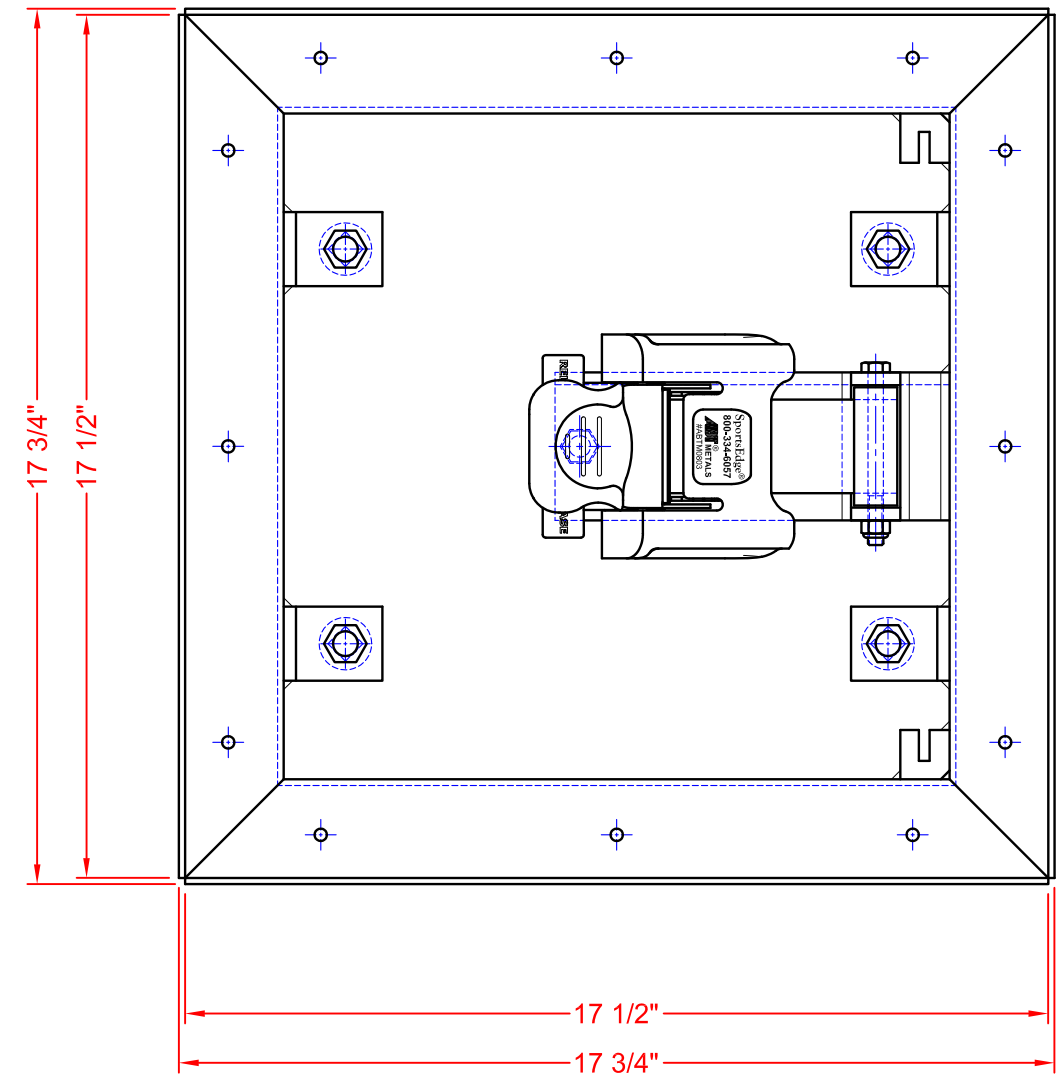


ASSEMBLY - SIDE VIEW
SCALE 1/2



ASSEMBLY - TOP VIEW
SCALE 1/4

NOTE: ASSEMBLY TOLERANCE IS $\pm 1/16$ " ON THIS SHEET UNLESS SPECIFIED OTHERWISE.

<h1>SOCCKER_GOAL_ANCHOR_SYSTEM</h1>				
SportsEdge [®] <small>A Division of ABT, Inc.</small>	704-528-0188 FAX 704-528-0179 P.O. BOX 837 Troutman, NC 28166			
	<table border="1"> <tr> <td style="width: 50%;">PART:</td> <td>SEF790</td> </tr> <tr> <td>DATE:</td> <td>03-19-09</td> </tr> </table>	PART:	SEF790	DATE:
PART:	SEF790			
DATE:	03-19-09			

Proprietary rights of ABT, Inc. are included in the information disclosed herein. The recipient, by accepting this document, agrees that neither this document nor the information disclosed herein nor any part thereof shall be copied, reproduced or transferred to others for manufacturing or for any other purpose except as specifically authorized in writing by ABT, Inc.