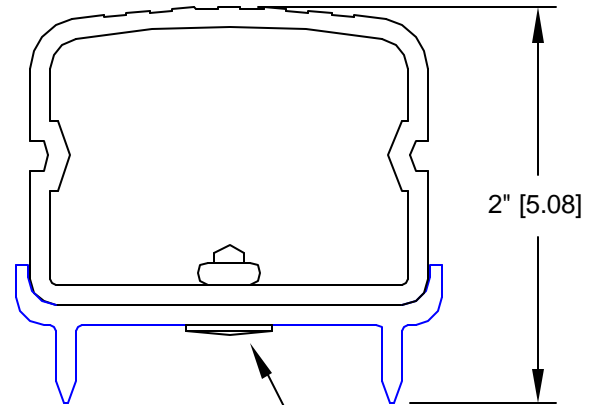
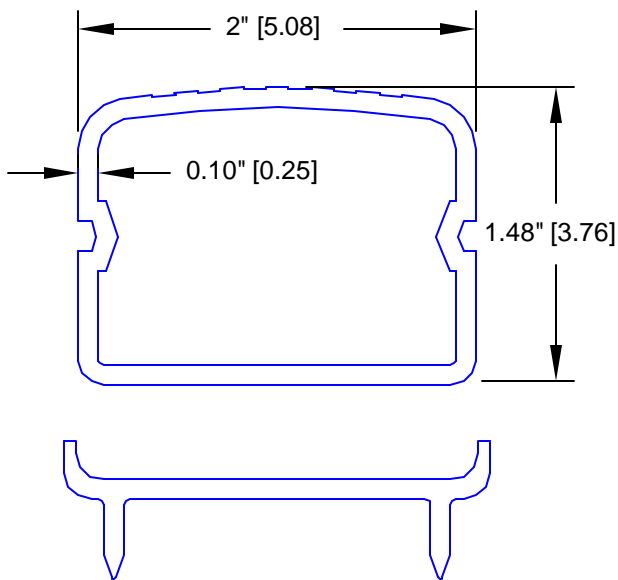
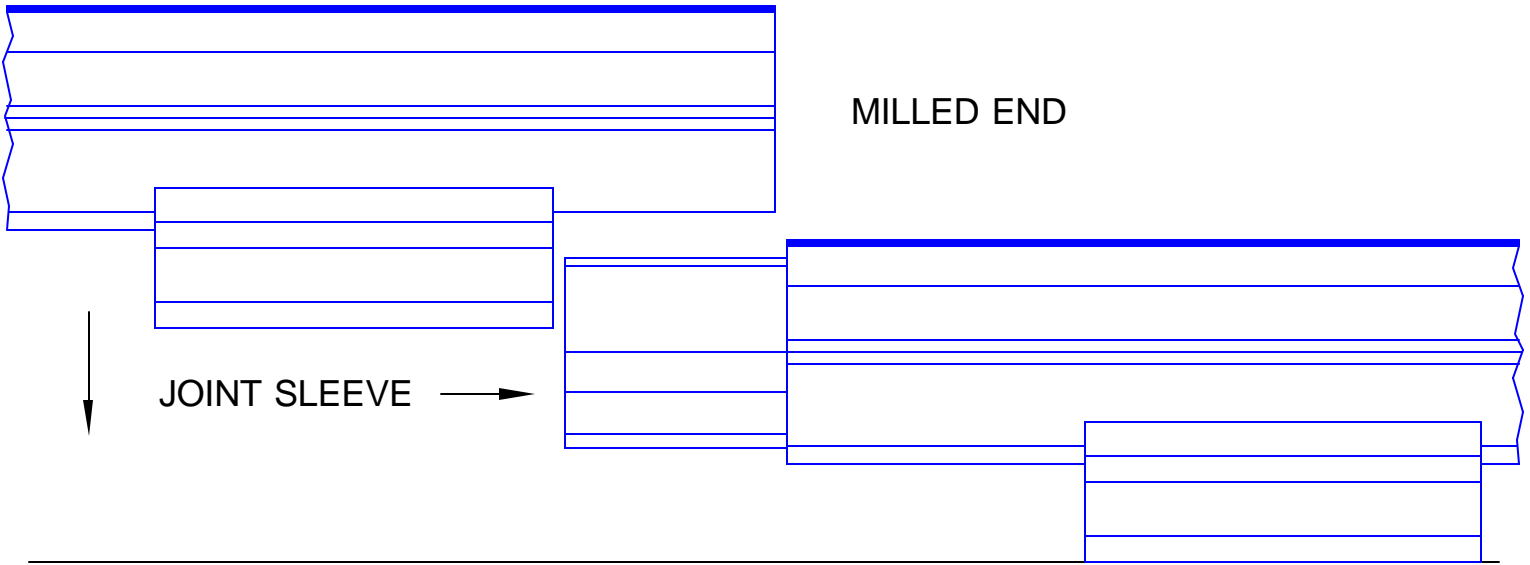


# SE851A - INTERNATIONAL TRACK CURBING SPECIFICATIONS

The 851A International Track Curbing is manufactured from 6063 structural aluminum extruded and hardened to a T6 condition. The curb is custom rolled to match the curve of your track and sits at a height of 2" (5 cm). Joint sleeves are riveted into one end of each curb section. The corresponding ends are milled for a drop in place fit. Curbing is shipped with the support clips installed. Four inch anchor pins are available where required to help anchor curb to the track. These are easily installed in the field where needed. All we require is the track "Measure Line" radius. When curbing is to be used, the inside lane line is 11 13/16" (30 cm) inside the measure line. Measurements in brackets are in centimeters.



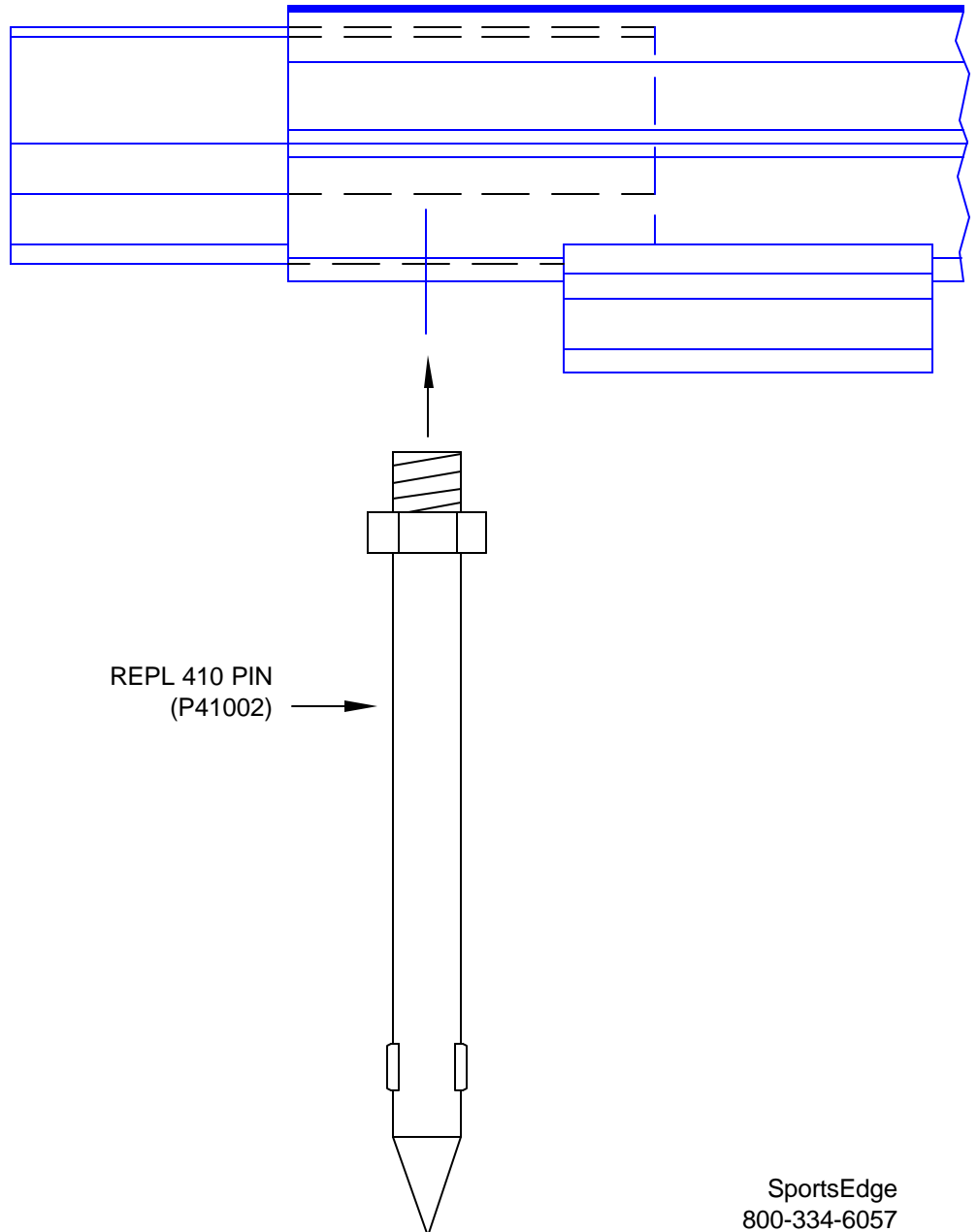
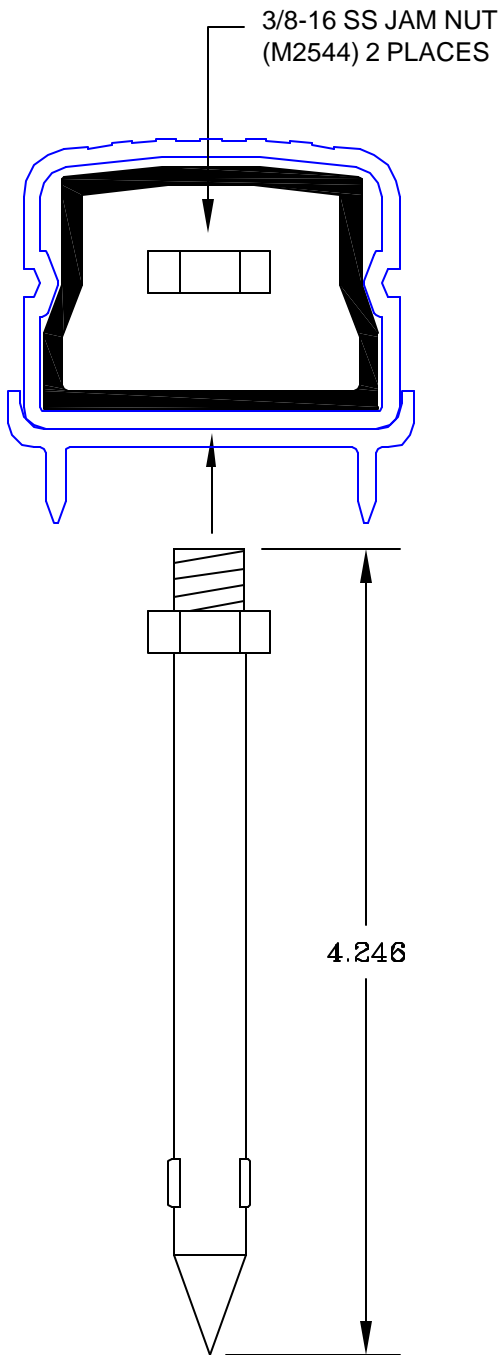
SUPPORT CLIPS ARE PREINSTALLED WITH ALUMINUM POP RIVETS

# SE851A - INTERNATIONAL TRACK CURBING ANCHOR PIN INSTALLATION

## CURB SUPPORT CLIPS

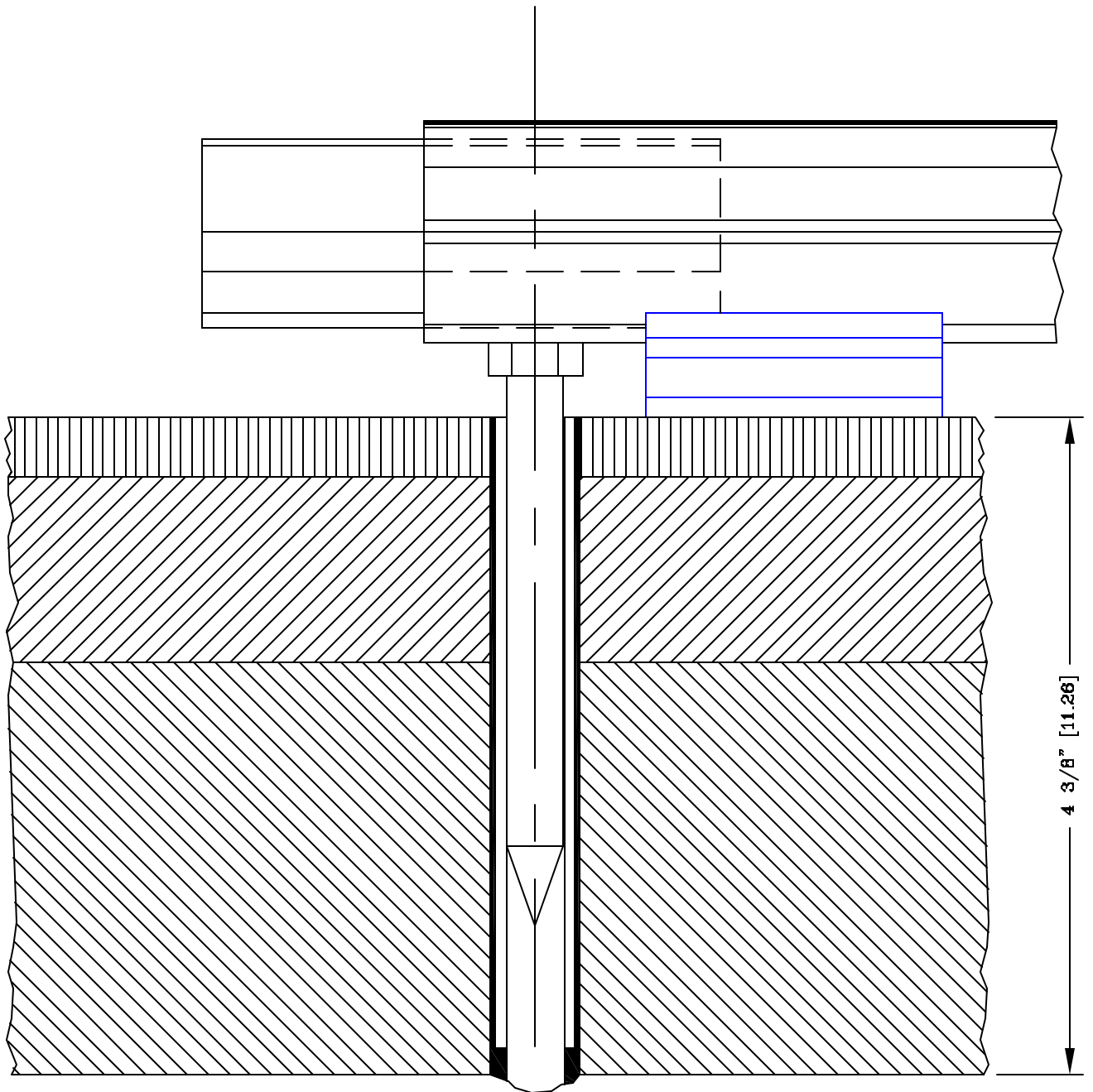
1. Ascertain at which joints anchor pins are required.

2. Drill 3/8" hole in bottom of curb as shown below and install pin with 3/8" jam nuts provided.



## 851A - INTERNATIONAL TRACK CURBING INSTALLATION

### PIN SLEEVE INSTALLATION



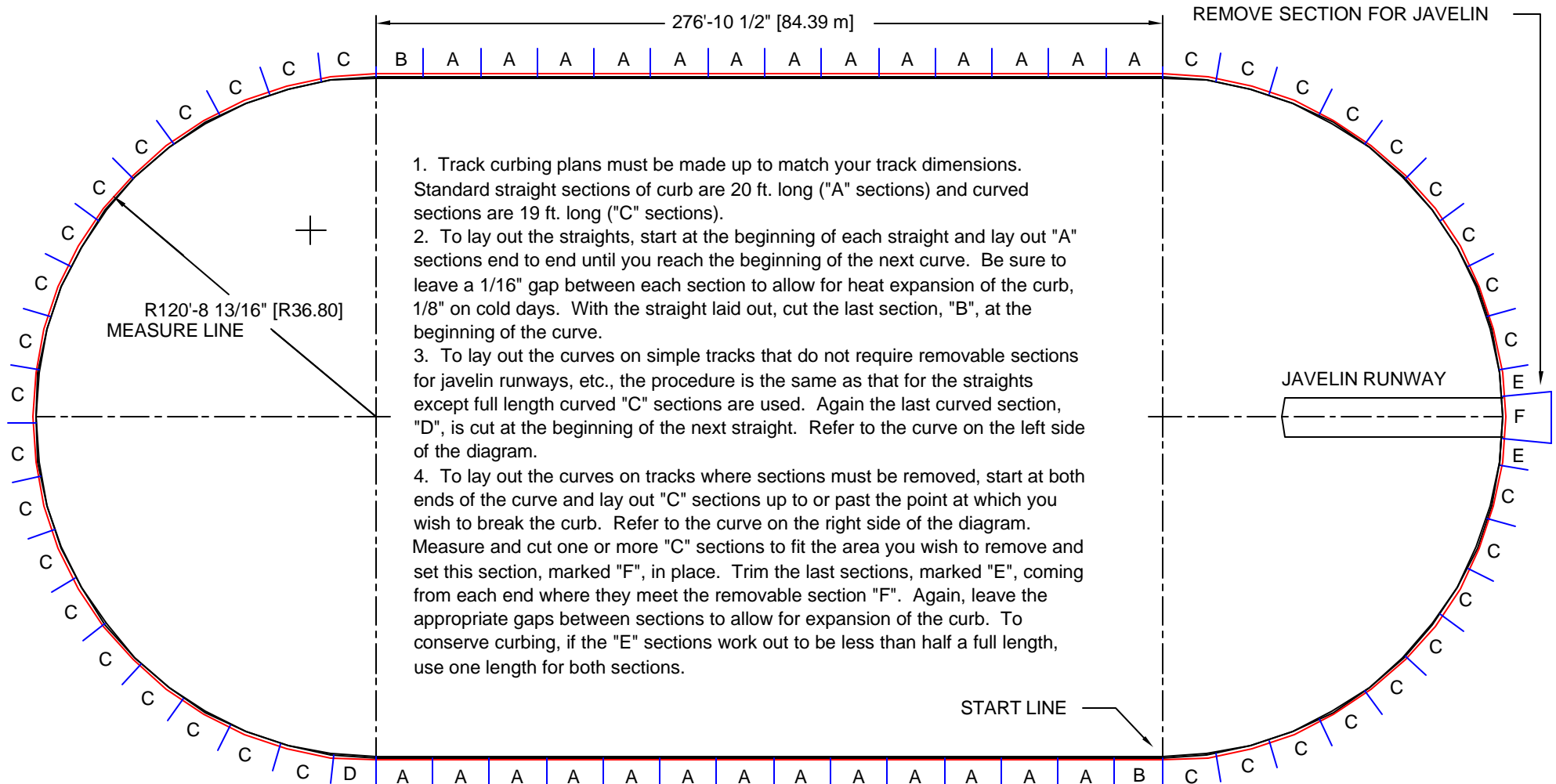
#### PIN SLEEVES

1. Completely lay out and assemble curbing per instructions and install pins where required.
2. Mark the points on the track where pins will rest.
3. At each of these marks, drill a vertical hole to fit the sleeves completely through the track surface. The holes must be at least 4 3/8" deep.
4. Grout a sleeve in each hole flush with the track surface.
5. The bottom of the sleeve must remain open to the track aggregate base for drainage.

MEASURE LINE RADIUS: 120'- 8 13/16"  
 2 in. CURB C/L RADIUS: 119'- 8"  
 CORD HEIGHT @ 19 ft.: 4 33/64"

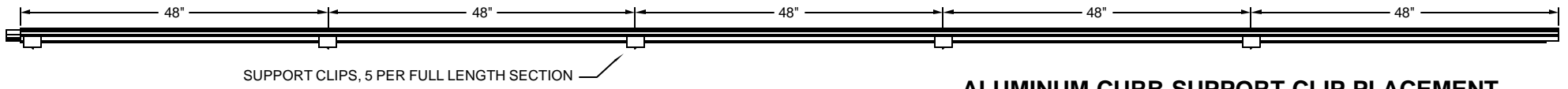
A - 20' STRAIGHT ----- 26 PIECES  
 B - 16' 9.5" STRAIGHT -- 2 PIECES  
 C - 19' CURVED ----- 36 PIECES

D - 14' 11" CURVED ----- 1 PIECE  
 E - 9.5' CURVED ----- 2 PIECES  
 F - 14' 11" CURVED ----- 1 PIECE



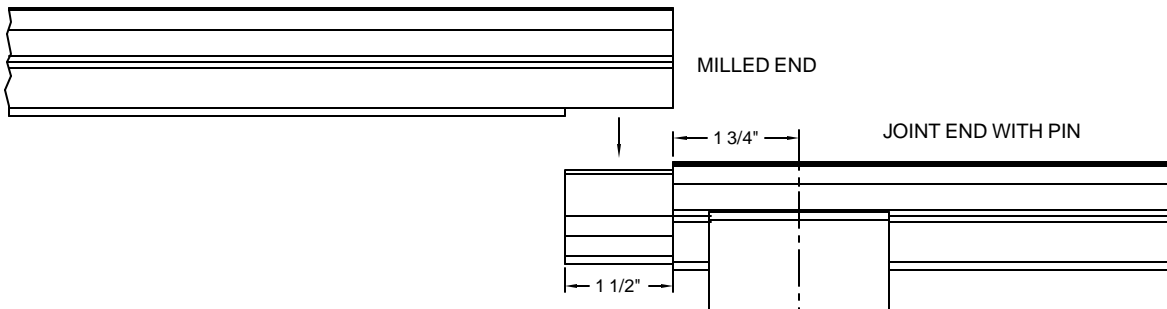
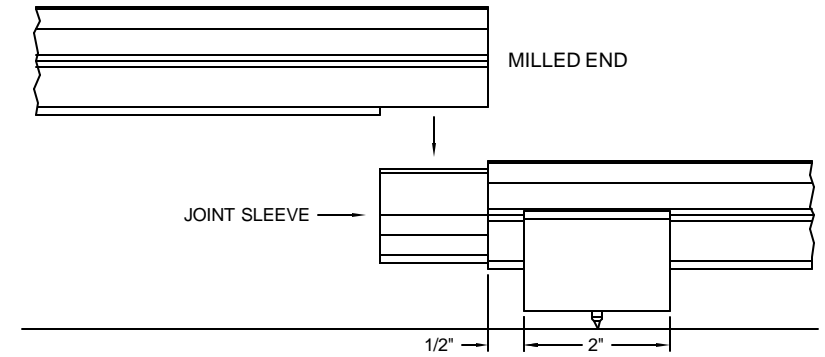
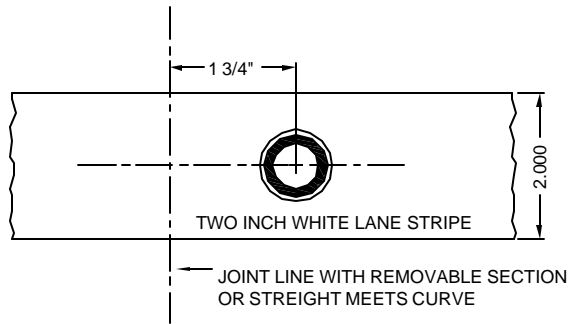
SportsEdge  
 04/03/06  
 SE851A-4

**TRACK CURBING PLAN EXAMPLE**  
 (Plan is dependant upon track dimensions, metric dimensions are available)

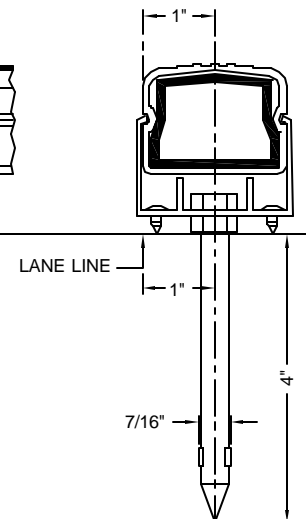
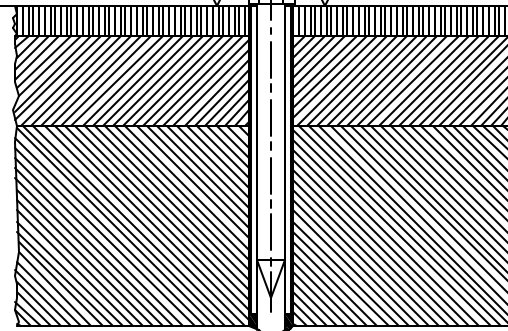


### ALUMINUM CURB SUPPORT CLIP PLACEMENT

1. CUT 1" HOLE IN SYNTHETIC SURFACE THEN BORE 7/8" HOLE THRU TO SUB SURFACE WITH 4 1/2" MINIMUM DEPTH, HOLES MUST DRAIN
2. CEMENT SLEEVE IN PLACE FLUSH WITH TRACK SURFACE OR TRIM AFTER INSTALLATION
3. CAULK GAP BETWEEN TRACK SURFACE AND SLEEVE TO SEAL OUT WATER



### ALUMINUM CURB JOINT PIN INSTALLATION



PART #: SE851  
 DWG #: SE851a.inst-2  
 SE851 CURB INSTALLATION

**SportsEdge**  
 800-334-6057  
 SCALE: NONE  
 SportsEdge  
 DATE: 04/04/06