



Installation Instructions

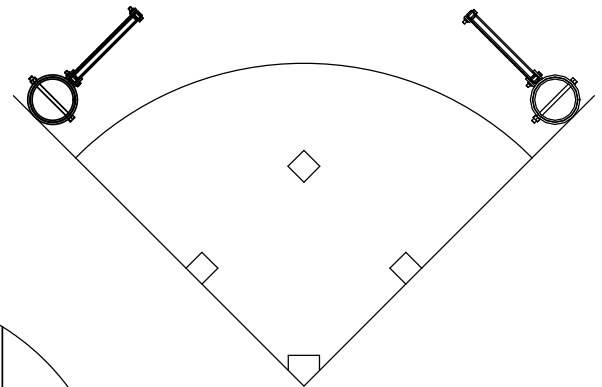
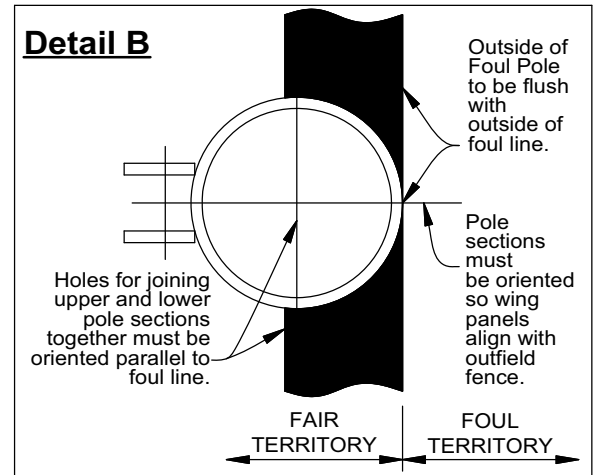
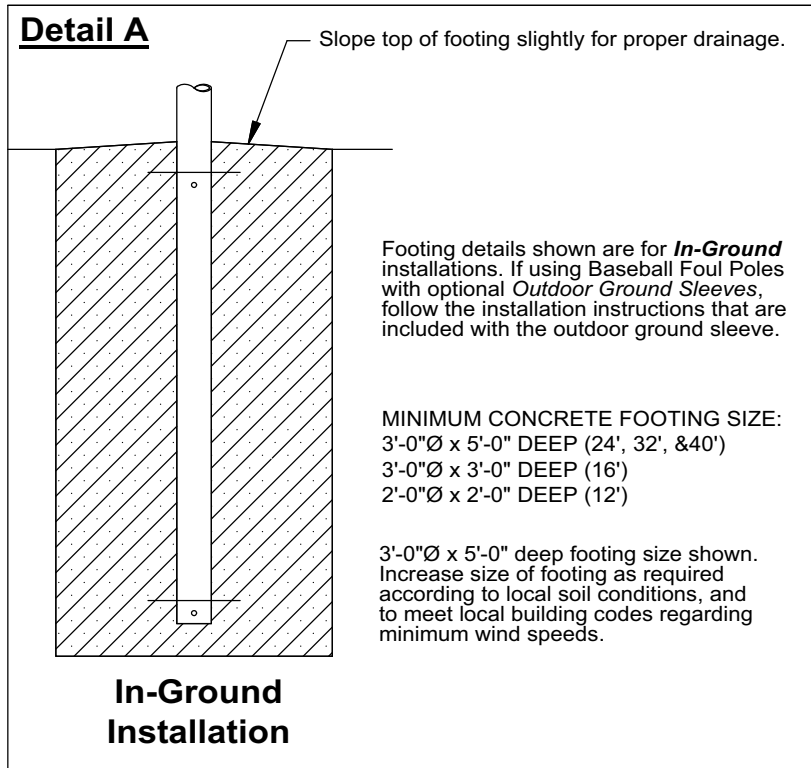
1. Check all items against parts list to ensure all parts have been included.
2. Locate and drill holes for concrete footings. See **Details A** and **B** for critical information regarding footing size and location, optional outdoor ground sleeves, and orientation of pole sections.

For In-Ground Mounted Foul Poles

3. Support lower pole section in hole, with top of lower pole section located 8'-0" above playing surface. See **Detail B** for proper orientation of pole.
4. Fill hole with concrete. slope top of footing slightly for proper drainage. See **Detail A**.
5. Allow concrete to set a MINIMUM of 24 hours before proceeding.
6. Proceed to Step 7.

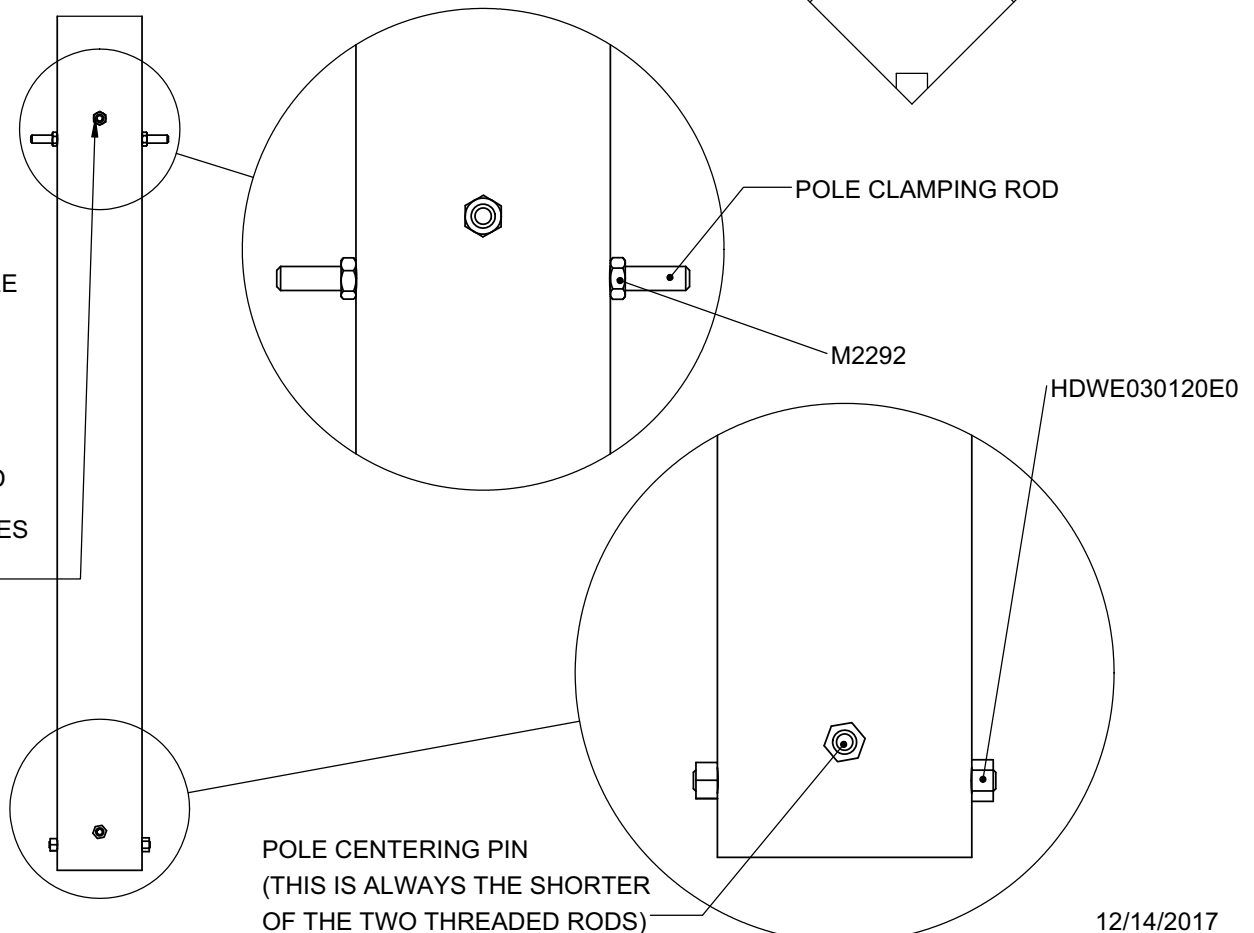
All Foul Poles With Wing Panels

7. Assemble upper pole section as shown in **Details D, E, and F**.
8. Assemble wing panels to upper poles section. See **Details D, E, and F**.
9. Secure wing panels to each other with splice plates (one at each connection). See **Details D, E, and F** (Skip Step 8 for 16' Foul Poles with one wing panel).

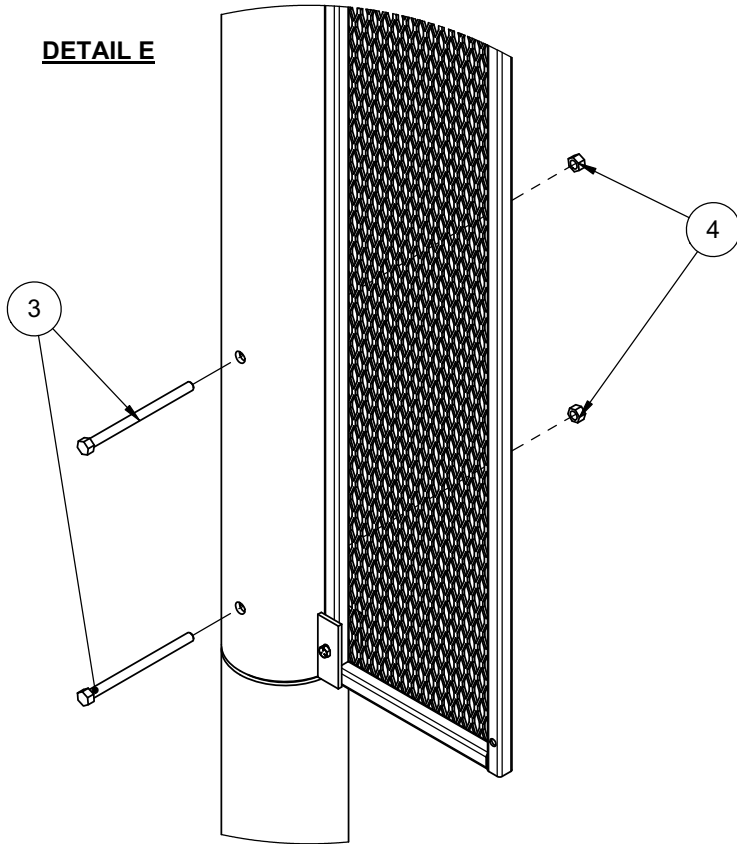


ONE THREADED ROD MUST BE PARALLEL AND ONE MUST BE PERPENDICULAR TO FOUL LINE. UPPER POLE SECTIONS CAN BE MOUNTED IN 90 DEGREE INTERVALS (24', 32', & 40')

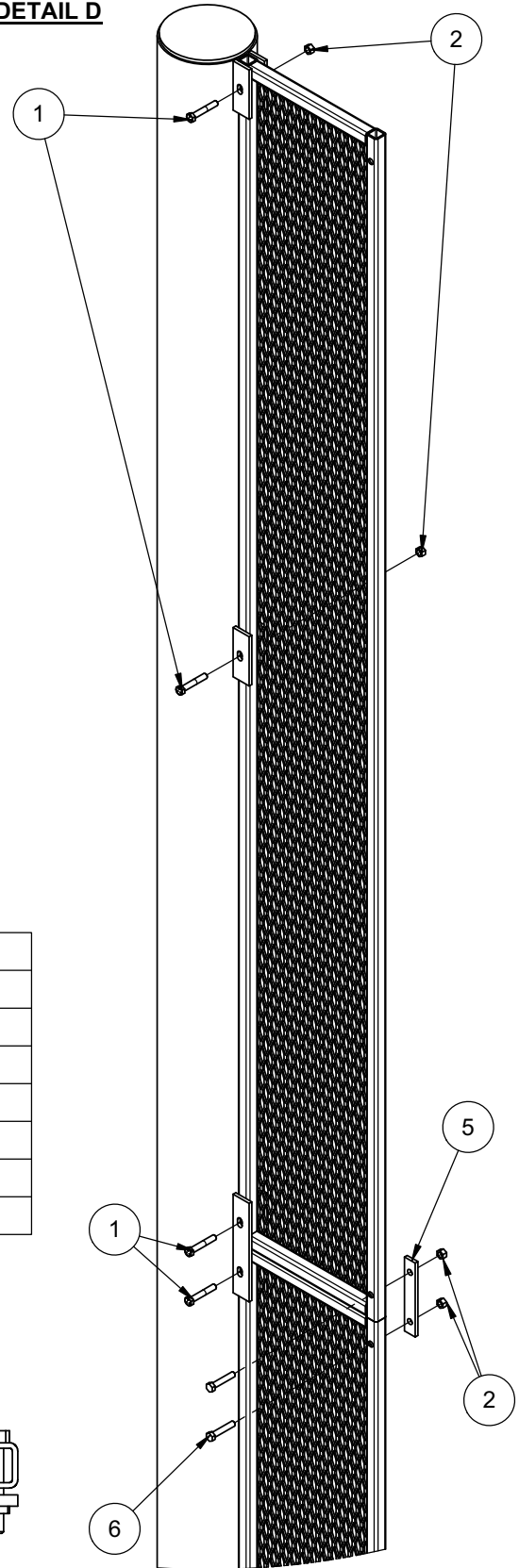
16' FOUL POLE SHOULD BE INSTALLED WITH WING MOUNTING PLATES PERPENDICULAR TO FOUL LINE.



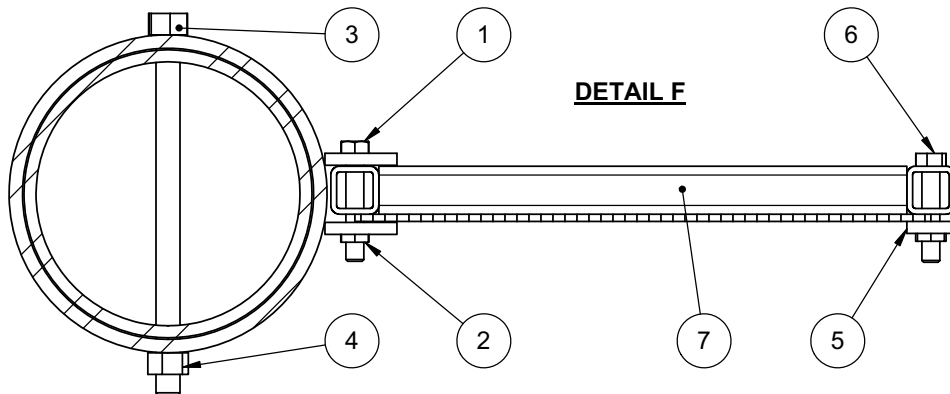
DETAIL E



DETAIL D



#	Part #	Description
1	HDWE012070E0	3/8"-16 X 2-1/4" HEX HEAD CAP SCREW
2	HDWE030720E0	Convex Locknut - 3/8-16 Allmetal Grade C
3	HDWE012820E0	1/2"-13 X 7-1/2" HEX HEAD CAP SCREW
4	HDWE030730E0	1/2" AllMetal Convex Locknut
5	PLTE00332006	SPLICE PLATE 1/4" X 1" X 6"
6	HDWE012060E0	Hex Bolt 3/8-16 x 2
7	PANL0000113966	FOUL POLE WING PANEL





333040 IN-GROUND MOUNTED 40' FOUL POLE

#	Part #	Description	QTY
1	POLE3330401	40' GROUND SLEEVE BOTTOM POLE	2
2	POLE3330402	40' TOP POLE	2
3	PANL0000113966	FOUL POLE WING PANEL	8
4	HDWE012070E0	3/8"-16 X 2-1/4" HEX HEAD CAP SCREW	24
5	HDWE030720E0	Convex Locknut - 3/8-16 Allmetal Grade C	38
6	HDWE012820E0	1/2"-13 X 7-1/2" HEX HEAD CAP SCREW	4
7	HDWE030730E0	1/2" AllMetal Convex Locknut	4
8	HDWE012060E0	Hex Bolt 3/8-16 x 2	12
9	PLTE00332006	SPLICE PLATE 1/4" X 1" X 6"	6
10	F33009	POLE CLAMPING THREADED ROD 5/8 X 10 3/4	4
11	F30011	POLE CENTERING PIN 5/8 X 7 7/8	4
13	HDWE030120E0	Hex Nut 5/8-11	8
14	M2292	5/8-11 Jam Nut, Zinc Plated	8

333032 IN-GROUND MOUNTED 32' FOUL POLE

#	Part #	Description	QTY
1	POLE3330321	32' GROUND SLEEVE BOTTOM POLE	2
2	POLE3330322	32' TOP POLE	2
3	PANL0000113966	FOUL POLE WING PANEL	6
4	HDWE012070E0	3/8"-16 X 2-1/4" HEX HEAD CAP SCREW	18
5	HDWE030720E0	Convex Locknut - 3/8-16 Allmetal Grade C	26
6	HDWE011840E0	1/2"-13 X 6-1/2" HEX HEAD CAP SCREW	4
7	HDWE030730E0	1/2" AllMetal Convex Locknut	4
8	PLTE00332006	SPLICE PLATE 1/4" X 1" X 6"	4
9	HDWE012060E0	Hex Bolt 3/8-16 x 2	8
10	F30011	POLE CENTERING PIN 5/8 X 7 7/8	4
11	F30012	POLE CLAMPING THREADED ROD 5/8 X 10 3/4	4

333024 IN-GROUND MOUNTED 24' FOUL POLE

#	Part #	Description	QTY
1	PANL0000113966	FOUL POLE WING PANEL	4
2	POLE3330241	24' GROUND SLEEVE BOTTOM POLE	2
3	POLE3330242	24' TOP POLE	2
4	F33011	POLE CENTER THREADED ROD 5/8 6IN LONG	4
5	F30012	POLE CLAMPING THREADED ROD 5/8 X 10 3/4	4
6	HDWE012070E0	3/8"-16 X 2-1/4" HEX HEAD CAP SCREW	12
7	HDWE030720E0	Convex Locknut - 3/8-16 Allmetal Grade C	16
8	HDWE011810E0	1/2"-13 X 5-1/2" HEX HEAD CAP SCREW	4
9	HDWE030730E0	1/2" AllMetal Convex Locknut	4
10	PLTE00332006	SPLICE PLATE 1/4" X 1" X 6"	2
11	HDWE012060E0	Hex Bolt 3/8-16 x 2	4



333016 IN-GROUND MOUNTED 16' FOUL POLE

#	Part #	Description	QTY
1	POLE00068006	16' GROUND SLEEVE FOUL POLE	2
2	PANL0000113966	FOUL POLE WING PANEL	2
3	F30011	POLE CENTERING PIN 5/8 X 7 7/8	4
4	F30013	POLE CENTERING PIN 5/8 X 4 7/8	4
5	HDWE012070E0	3/8"-16 X 2-1/4" HEX HEAD CAP SCREW	6
6	HDWE030720E0	Convex Locknut - 3/8-16 Allmetal Grade C	6

333012 IN-GROUND MOUNTED 12' FOUL POLE

#	Part #	Description	QTY
1	POLE333012101	12' GROUND SLEEVE FOUL POLE	2