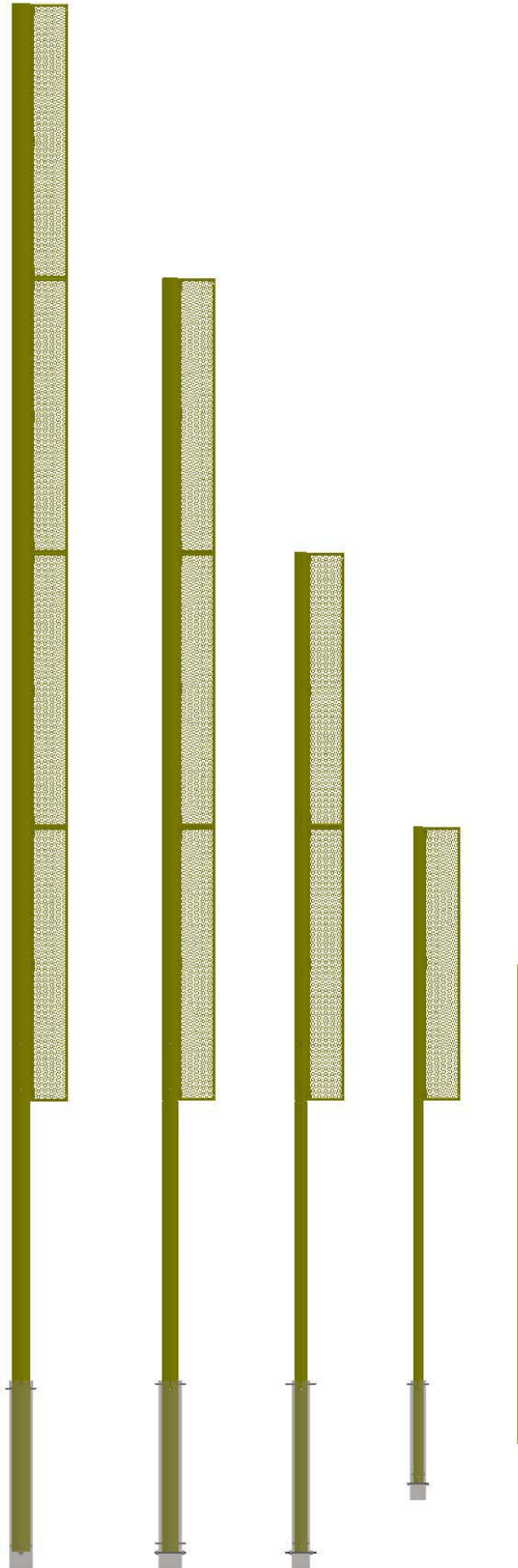


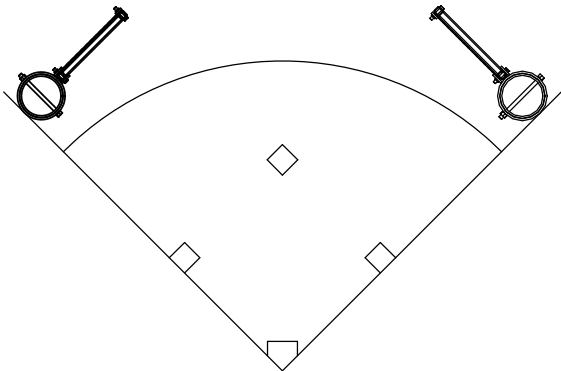


BASEBALL FOUL POLES GROUND SLEEVE MOUNTED



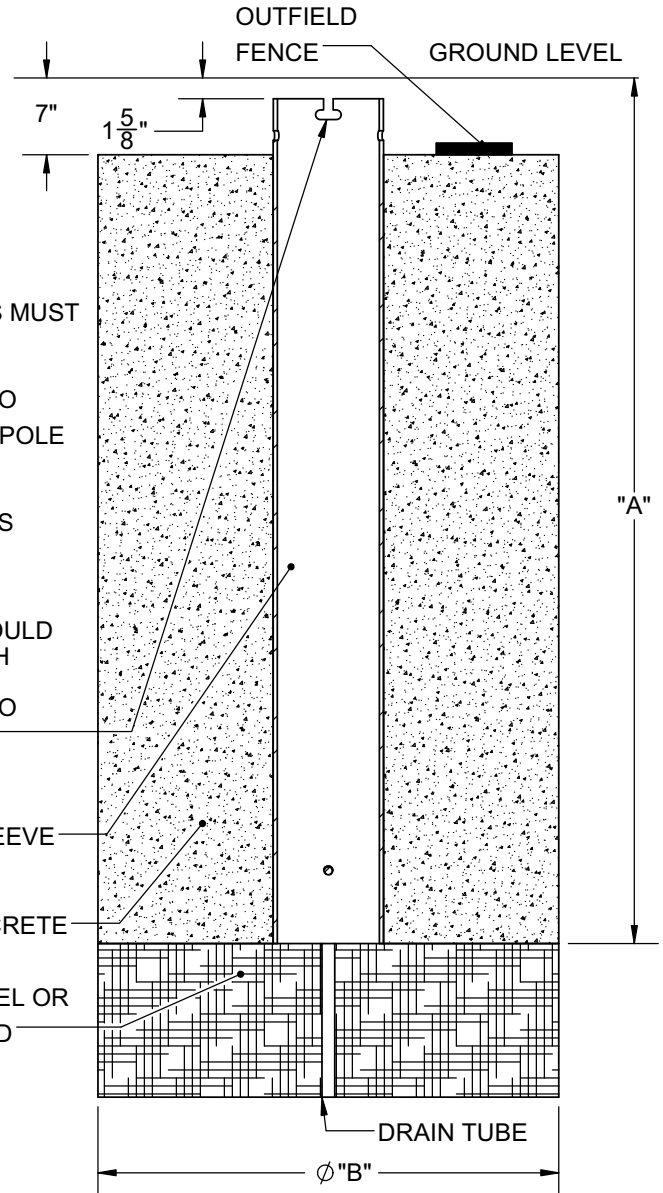
GROUND SLEEVE INSTALLATION

Ground Sleeve	Foul Pole Size	"A"	"B"
F39901	32' and 40'	67 5/8"	36"
F39902	24'	67 5/8"	36"
F39903	16'	43 5/8"	36"
00402000	12'	29 3/8"	24"

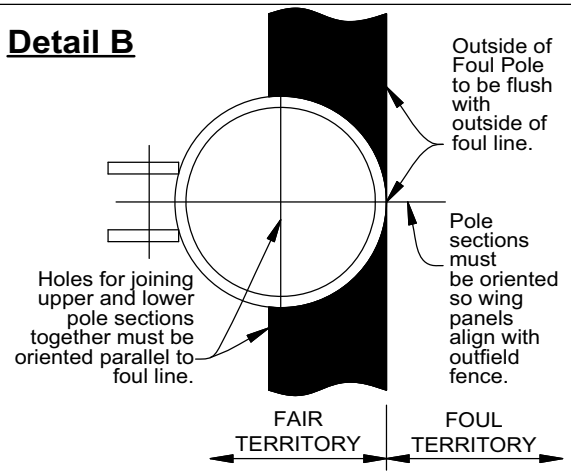


ONE SET OF SLOTS MUST BE PARALLEL AND ONE MUST BE PERPENDICULAR TO FOUL LINE. UPPER POLE SECTIONS CAN BE MOUNTED IN 90 DEGREE INTERVALS (24', 32', & 40')

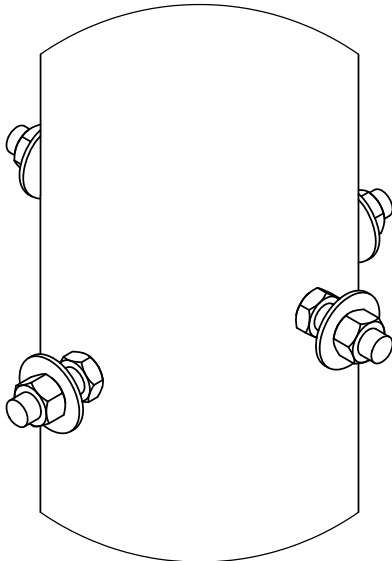
16' FOUL POLE SHOULD BE INSTALLED WITH SHALLOW SLOTS PERPENDICULAR TO FOUL LINE.



Detail B



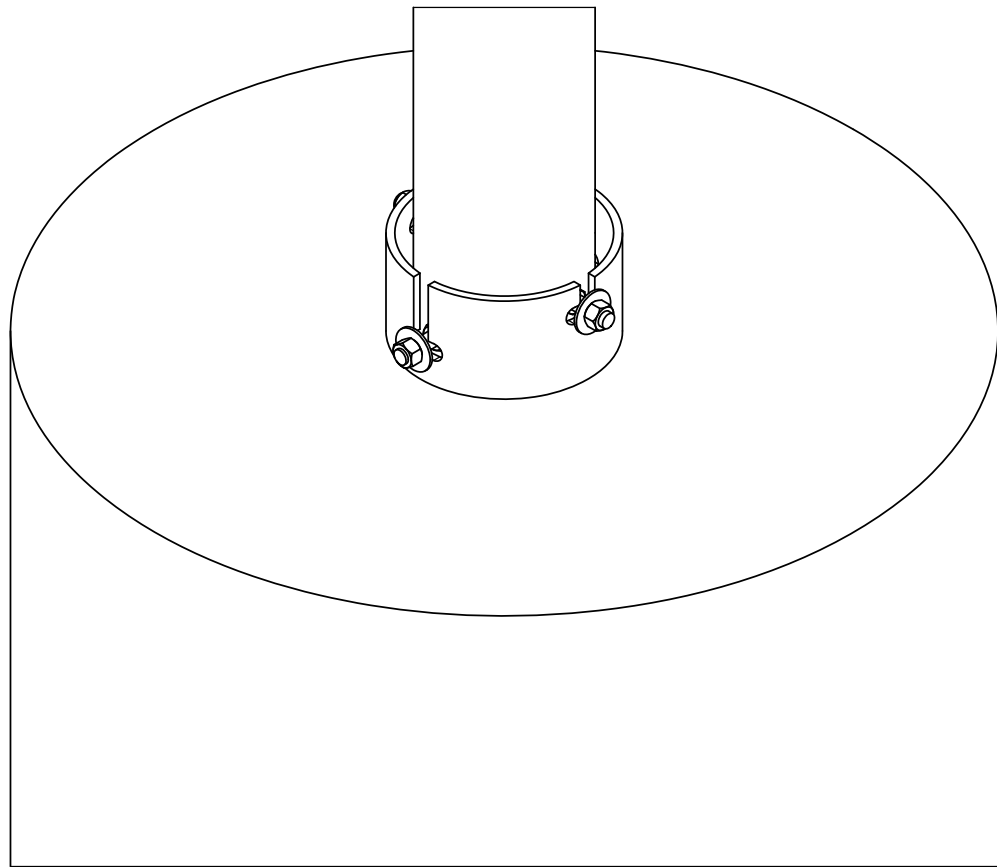
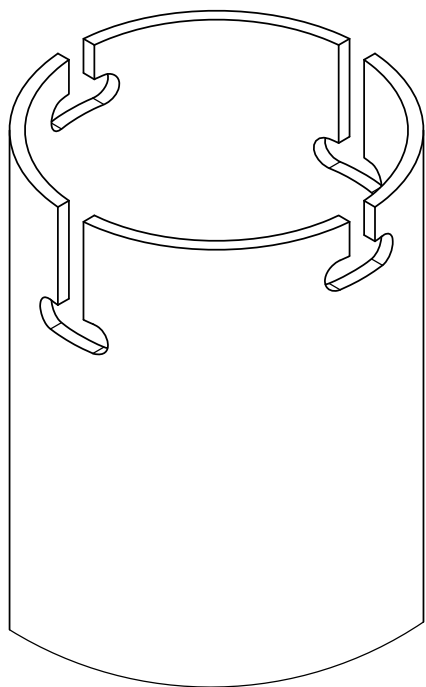
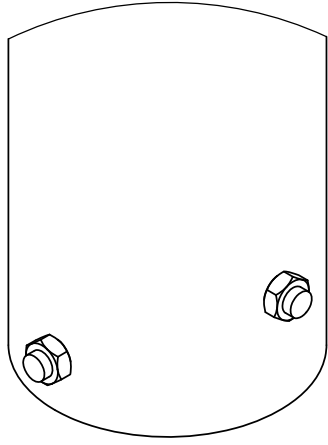
1. Locate the center of the footing (see **Detail B**).
2. **CAUTION** - Before digging, check for locations of buried power cables, drain tiles water lines, etc.
3. Dig hole to accommodate the purchased ground sleeve. Depth of footing will vary depending on which ground sleeve will be installed (see table above to help determine depth of footing).
4. At the bottom of the hole, pour a concrete base pad on a layer of packed gravel. Dimension of the top of the base pad to the playing surface "A" is crucial. Refer to illustration and table shown above. Note that it may be desirable in certain high-moisture soil conditions to provide a drainage tube through the concrete base pad into a sublayer of gravel for proper drainage.
5. Secure threaded rod to bottom of ground sleeve using locknuts (Hardware is supplied with ground sleeve). The deep slots on the upper end of the ground sleeve must be located parallel to the outfield fence (perpendicular to the foul line).
6. After the concrete base pad has hardened, place the ground sleeve in the exact location for the second pour. Secure sleeve in place and fill hole to within 7" of the playing surface. Allow concrete to set up a minimum of 48 hours before installing foul pole.



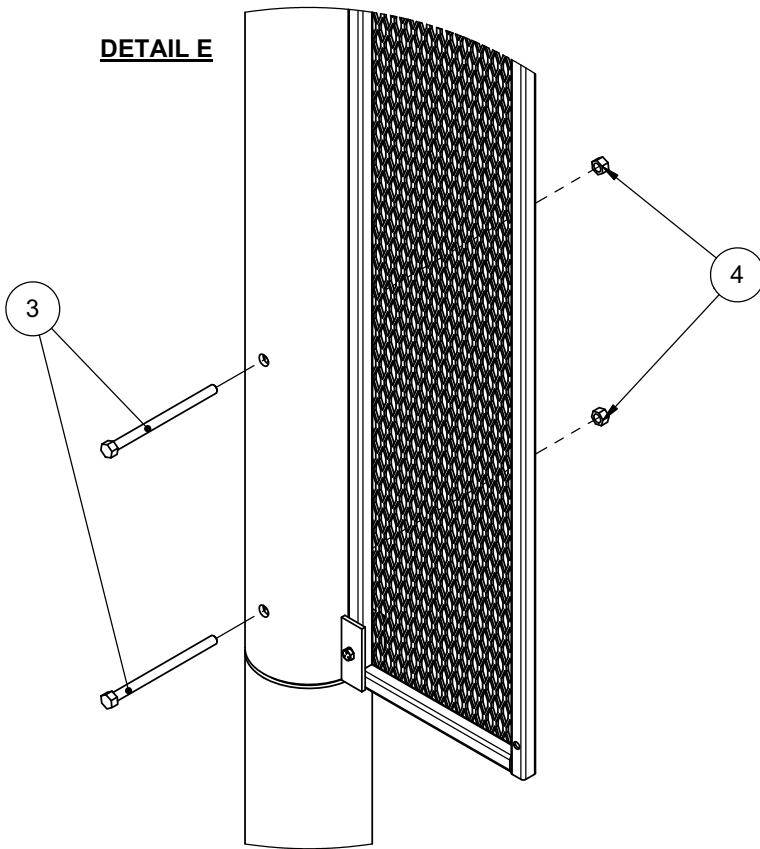
Install the smaller threaded centering rods through the two lower pairs of holes in the offset pole. Secure the rods with 5/8"-11 jam nuts (M2292), leaving an equal amount of rod protruding from all four holes. These rods will keep the bottom of the foul pole from shifting in the ground sleeve during final adjustment. Install the longer threaded leveling rods in the same fashion through the upper holes in the foul pole, securing with 5/8"-11 jam nuts (M2292).

After the concrete foundation has fully cured, set the offset pole into the ground sleeve, inserting the leveling rods into the appropriate set of notches in the top of the sleeve. Install the washers (M2835) and 5/8"-11 hex nuts (M1237) onto the leveling rods to the outside of the ground sleeve. Visually check the offset pole within the ground sleeve and hand tighten the four nuts.

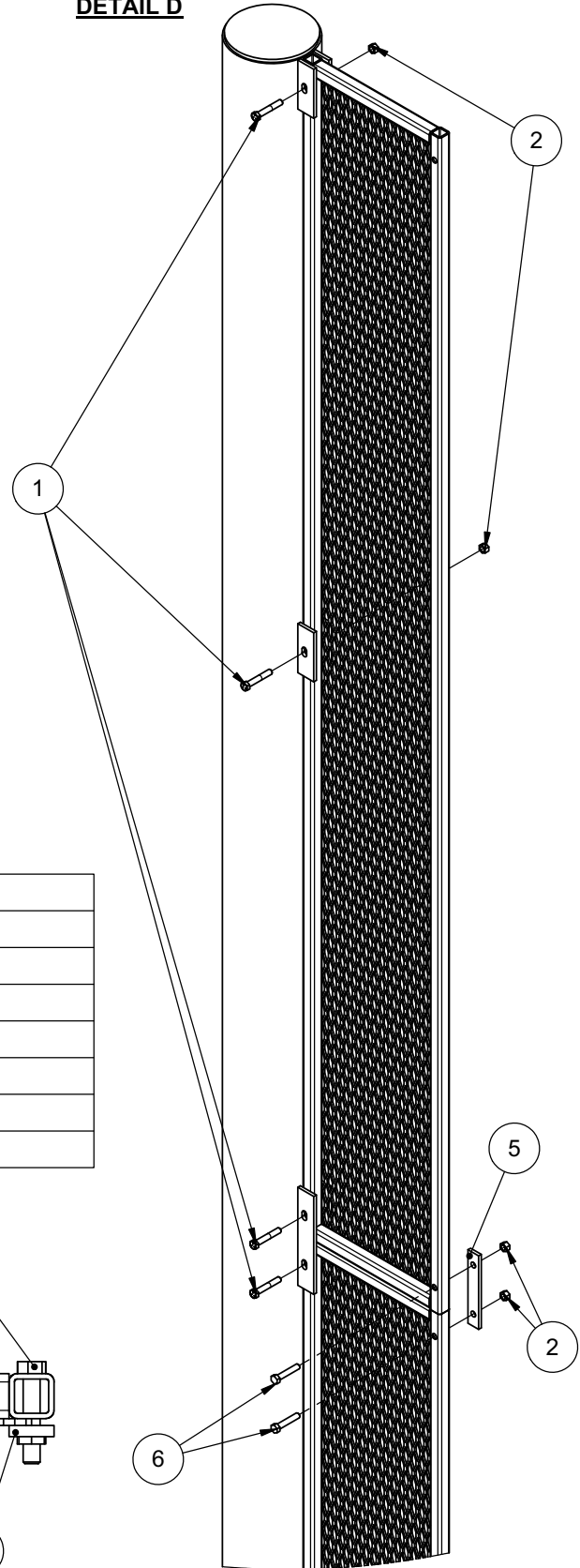
Using a 4' level, check to see if the foul pole is plumb. If it is, tighten the nuts around the ground sleeve securely at this time. If adjustment is required, loosen the appropriate outer nuts a small amount (a turn at a time) and tighten the opposing outer nuts until snug, then recheck. Continue this adjustment process until the foul pole is plumb. Securely tighten the four outer nuts.



DETAIL E

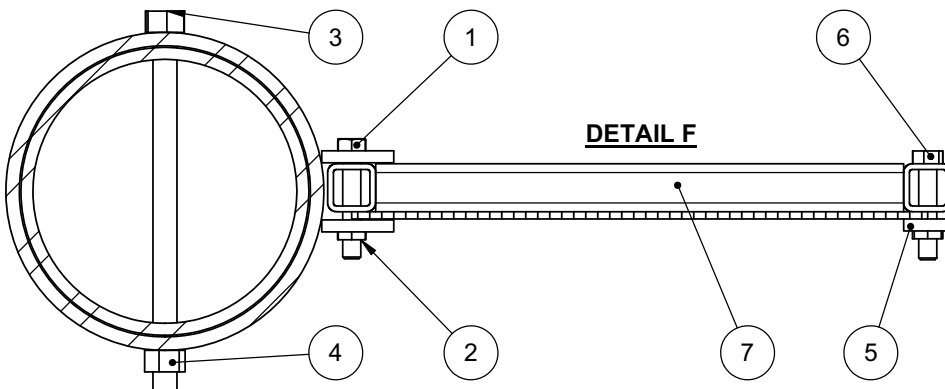


DETAIL D



#	Part #	Description
1	HDWE012070E0	3/8"-16 X 2-1/4" HEX HEAD CAP SCREW
2	HDWE030720E0	Convex Locknut - 3/8-16 Allmetal Grade C
3	HDWE012820E0	1/2"-13 X 7-1/2" HEX HEAD CAP SCREW
4	HDWE030730E0	1/2" AllMetal Convex Locknut
5	PLTE00332006	SPLICE PLATE 1/4" X 1" X 6"
6	HDWE012060E0	Hex Bolt 3/8-16 x 2
7	PANL0000113966	FOUL POLE WING PANEL

DETAIL F





BASEBALL FOUL POLES GROUND SLEEVE MOUNTED

333040 GROUND SLEEVE MOUNTED 40' FOUL POLE

#	Part #	Description	QTY
1	POLE3330401	40' GROUND SLEEVE BOTTOM POLE	2
2	POLE3330402	40' TOP POLE	2
3	PANL0000113966	FOUL POLE WING PANEL	8
4	HDWE012070E0	3/8"-16 X 2-1/4" HEX HEAD CAP SCREW	24
5	HDWE030720E0	Convex Locknut - 3/8-16 Allmetal Grade C	38
6	HDWE012820E0	1/2"-13 X 7-1/2" HEX HEAD CAP SCREW	4
7	HDWE030730E0	1/2" AllMetal Convex Locknut	4
8	HDWE012060E0	Hex Bolt 3/8-16 x 2	12
9	PLTE00332006	SPLICE PLATE 1/4" X 1" X 6"	6
10	F33009	POLE CLAMPING THREADED ROD 5/8 X 10 3/4	4
11	F33009	POLE CENTERING PIN 5/8 X 7 7/8	4
12	HDWE030120E0	Hex Nut 5/8-11	8
13	M2292	5/8-11 Jam Nut, Zinc Plated	8

333032 GROUND SLEEVE MOUNTED 32' FOUL POLE

#	Part #	Description	QTY
1	POLE3330321	32' GROUND SLEEVE BOTTOM POLE	2
2	POLE3330322	32' TOP POLE	2
3	PANL0000113966	FOUL POLE WING PANEL	6
4	HDWE012070E0	3/8"-16 X 2-1/4" HEX HEAD CAP SCREW	18
5	HDWE030720E0	Convex Locknut - 3/8-16 Allmetal Grade C	26
6	HDWE011840E0	1/2"-13 X 6-1/2" HEX HEAD CAP SCREW	4
7	HDWE030730E0	1/2" AllMetal Convex Locknut	4
8	PLTE00332006	SPLICE PLATE 1/4" X 1" X 6"	4
9	HDWE012060E0	Hex Bolt 3/8-16 x 2	8
10	F33009	POLE CENTERING PIN 5/8 X 7 7/8	4
11	F33009	POLE CLAMPING THREADED ROD 5/8 X 10 3/4	4

333024 GROUND MOUNTED 24' FOUL POLE

#	Part #	Description	QTY
1	PANL0000113966	FOUL POLE WING PANEL	4
2	POLE3330241	24' GROUND SLEEVE BOTTOM POLE	2
3	POLE3330242	24' TOP POLE	2
4	F33009	POLE CENTER THREADED ROD 5/8 6IN LONG	4
5	F33009	POLE CLAMPING THREADED ROD 5/8 X 10 3/4	4
6	HDWE012070E0	3/8"-16 X 2-1/4" HEX HEAD CAP SCREW	12
7	HDWE030720E0	Convex Locknut - 3/8-16 Allmetal Grade C	16
8	HDWE011810E0	1/2"-13 X 5-1/2" HEX HEAD CAP SCREW	4
9	HDWE030730E0	1/2" AllMetal Convex Locknut	4
10	PLTE00332006	SPLICE PLATE 1/4" X 1" X 6"	2
11	HDWE012060E0	Hex Bolt 3/8-16 x 2	4



**BASEBALL FOUL POLES
GROUND SLEEVE MOUNTED**

333016 GROUND MOUNTED 16' FOUL POLE

#	Part #	Description	QTY
1	POLE00068006	16' GROUND SLEEVE FOUL POLE	2
2	PANL0000113966	FOUL POLE WING PANEL	2
3	F33009	POLE CENTERING PIN 5/8 X 7 7/8	4
4	F33009	Part Template - Liania	4
5	HDWE012070E0	3/8"-16 X 2-1/4" HEX HEAD CAP SCREW	6
6	HDWE030720E0	Convex Locknut - 3/8-16 Allmetal Grade C	6

333012 GROUND MOUNTED 12' FOUL POLE

#	Part #	Description	Qty.
1	POLE333012101	12' GROUND SLEEVE FOUL POLE	1