

ASSEMBLY INSTRUCTIONS:

1. ASSEMBLE GOAL FRAME FACE DOWN ON THE GROUND.
2. ASSEMBLE UPPER AND LOWER BACK STAYS TOGETHER.
3. SLIDE TEE CONNECTORS ON TO LOWER TUBES. **DO NOT TIGHTEN SET SCREWS** (ORIENT SET SCREWS TO BOTTOM SIDE).
4. SLIDE ASSEMBLED BACK STAY INTO FRAME SOCKETS AND INSTALL HARDWARE AS SHOWN.
5. PLACE BACK STAY GROUND TUBE BETWEEN TEE CONNECTORS.
6. SET GOAL UPRIGHT.
7. POSITION BACK STAY GROUND TUBE AS DESIRED AND TIGHTEN SET SCREWS.
8. CHECK ALL FASTENERS HAVE BEEN INSTALLED AND TIGHTENED.

BILL OF MATERIAL					
ITEM	QTY	DESCRIPTION	MATERIAL	UNIT WT	TOTAL WT
9	24	SOCKET HEAD CAP SCREW (LOCKING PATCH) 3/8"-16 UNC X 1 1/8" LONG	STAINLESS STEEL	XX LBS	XX LBS
10	24	FLAT WASHER 3/8" SIZE (13/32" ID X 47/64" OD X 0.090" THK)	STAINLESS STEEL	XX LBS	XX LBS
11	8	HEX HEAD CAP SCREW 5/16"-18 UNC X 3" LONG	STAINLESS STEEL	XX LBS	XX LBS
12	16	FLAT WASHER 5/16" SIZE (11/32" ID X 11/16" OD X 0.080" THK)	STAINLESS STEEL	XX LBS	XX LBS
13	8	NYLON INSERT LOCKING NUT 5/16"-18 UNC	STAINLESS STEEL	XX LBS	XX LBS
14	8	BUTTON HEAD SOCKET CAP SCREW 5/16"-18 UNC X 3/4" LONG	STAINLESS STEEL	XX LBS	XX LBS
15	16	HEX SOC SET SCREW - CONE POINT Ø5/16"-18 UNC X 3/4" LONG	STAINLESS 18-8 ALLOY	- LBS	- LBS

NOTE: THIS BILL OF MATERIAL IS FOR (2) GOAL ASSEMBLIES.

BILL OF MATERIAL					
ITEM	QTY	DESCRIPTION	MATERIAL	UNIT WT	TOTAL WT
1	4	UPRIGHT ASSEMBLY (SQUARE) PART # SE-SG-UPR-SQ	ALUMINUM 6061-T6	21.6 LBS	86.4 LBS
2	4	CORNER ASSEMBLY (SQUARE) PART # SE-SG-CRN-SQ	ALUMINUM 6061-T6	11.0 LBS	44.0 LBS
3	2	CROSSBAR TUBE (SQUARE) PART # SE-SG-CBT-SQ	ALUMINUM 6061-T6	61.1 LBS	122.2 LBS
4	4	BACK STAY LOWER TUBE ASSEMBLY PART # SE-SG-BS-LT	ALUMINUM 6061-T6	11.7 LBS	46.8 LBS
5	4	BACK STAY UPPER TUBE PART # SE-SG-BS-UT	ALUMINUM 6061-T6	10.0 LBS	40.0 LBS
6	4	TEE CONNECTOR ASSEMBLY PART # SE-SG-BS-TC	ALUMINUM 6061-T6	2.3 LBS	9.2 LBS
7	2	BACK STAY GROUND TUBE PART # SE-SG-BS-GT	ALUMINUM 6061-T6	20.8 LBS	41.6 LBS
8	100	NET CLIP - PLASTIC PART # SE-SG-NET-CLP	NYLON TYPE 6/6	0.015 LBS	1.5 LBS

APPROXIMATE TOTAL WEIGHT FOR ONE ASSEMBLY 196 LBS
APPROXIMATE SHIPPING WEIGHT 392 LBS

ASSEMBLY DETAIL
REAR VIEW ISOMETRIC
SCALE 1 : 8

INVERT TEE SO THAT SET SCREWS ARE ON BOTTOM. (SHOWN WRONG SIDE UP)

SIDE VIEW
SCALE 1 : 16

TOP VIEW
SCALE 1 : 16

FRONT VIEW
SCALE 1 : 16



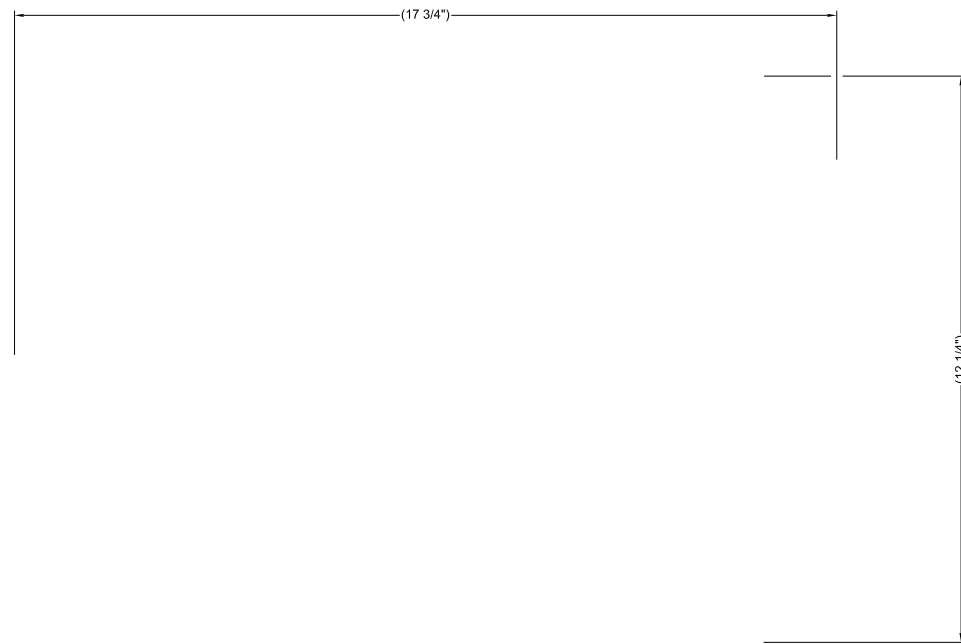
03	ADDED ITEM #15, SET SCREWS (ORIGINALLY ON TEE-ASSEMBLY)	FWS	---	06/02/11
02	ITEM 9 WAS BUTTON HEAD; ADDED WHEEL KIT LOCATOR HOLE; CHANGED ASSEMBLY ORDER	FWS	---	01/17/11
01	CORRECTED BALLOONS & BOM FOR ITEMS 2,5 & 6	FWS	---	09/17/10
REV	DESCRIPTION	BY	CHKD	DATE

SportsEdge®
A Division of ABT, Inc.
P.O. Box 837 • 259 Mustang Road
Troutman, NC 28166
800-334-6057

FABRICATION DRAWING © 2009 SportsEdge
SOCCER GOAL (4" SQUARE) ASSEMBLY
ALL ALUMINUM CONSTRUCTION

FILE: SE-SG-SQ-03 PART: SE-SG-SQ

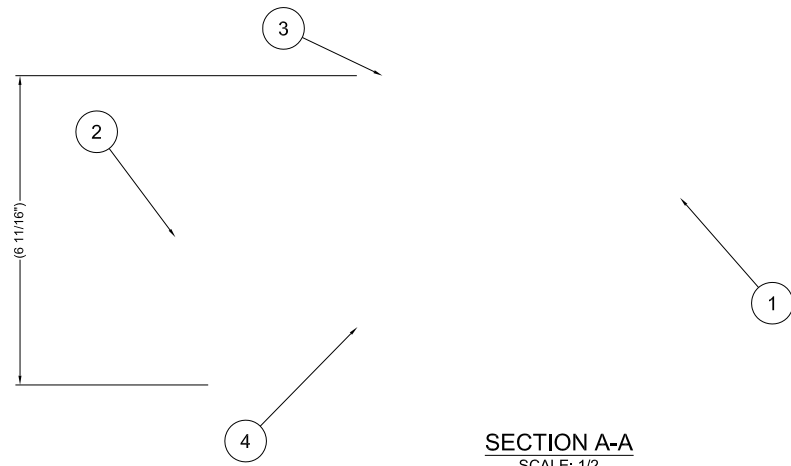
Proprietary Rights of ABT, Inc. are included in the information disclosed herein. The recipient, by accepting this document, agrees that neither this document nor the information disclosed herein nor any part thereof shall be copied, reproduced or transmitted to others for manufacturing or for any other purpose except as specifically authorized in writing by ABT, Inc.
DISCLAIMER: The customer and the customer's architect, engineers, consultants and other professionals are completely responsible for the selection, installation, and maintenance of any product purchased from ABT, and EXCEPT AS EXPRESSLY PROVIDED IN ABT'S STANDARD WARRANTIES, ABT MAKES NO WARRANTY, EXPRESS OR IMPLIED, AS TO THE SUITABILITY, DESIGN, MERCHANTABILITY, OR FITNESS OF THE PRODUCT FOR CUSTOMER'S APPLICATION. Copies of ABT's standard warranties are available upon request.



		L ASSEMBLY	STEEL	3.7 LBS	14.8 LBS
		MARATHON 4, 10 / 3.50 - 4" / PART NO. 00210	POLYURETHANE		
3	4	HEX HEAD CAP SCREW 5/8"-11 X 5 1/2" LONG	STAINLESS STEEL	0.5 LBS	2.0 LBS
4	4	THIN HEX NUT WITH NYLON INSERT LOCKING 5/8"-11 THREAD	STAINLESS STEEL	0.01 LBS	0.05 LBS
5	12	HEX HEAD CAP SCREW 5/16"-18 X 2 3/4" LONG	STAINLESS STEEL	XX LBS	XX LBS
6	12	HEX NUT WITH NYLON INSERT LOCKING 5/16"-18 THREAD	STAINLESS STEEL	XX LBS	XX LBS
7	1	INSTALLATION INSTRUCTIONS SOCCER GOAL WHEEL KIT	---	---	---
				APPROXIMATE SHIPPING WEIGHT	60.0 LBS

APPROXIMATE TOTAL WEIGHT FOR ONE WHEEL ASSEMBLY 15.0 LBS

ISOMETRIC VIEW
DO NOT SCALE



SECTION A-A
SCALE: 1/2

ASSEMBLY INSTRUCTIONS:

1. INSERT HEX HEAD CAP SCREW (ITEM 3) INTO TUBE OF MTG PLATE (ITEM 1).
2. SLIDE WHEEL (ITEM 2) ON TO CAP SCREW WITH OFFSET TOWARD MTG PLATE.
3. THREAD HEX LOCKING NUT ONTO CAP SCREW AND TIGHTEN UNTIL SNUGG. (DO NOT OVER TIGHTEN). WHEEL MUST ROTATE FREELY.

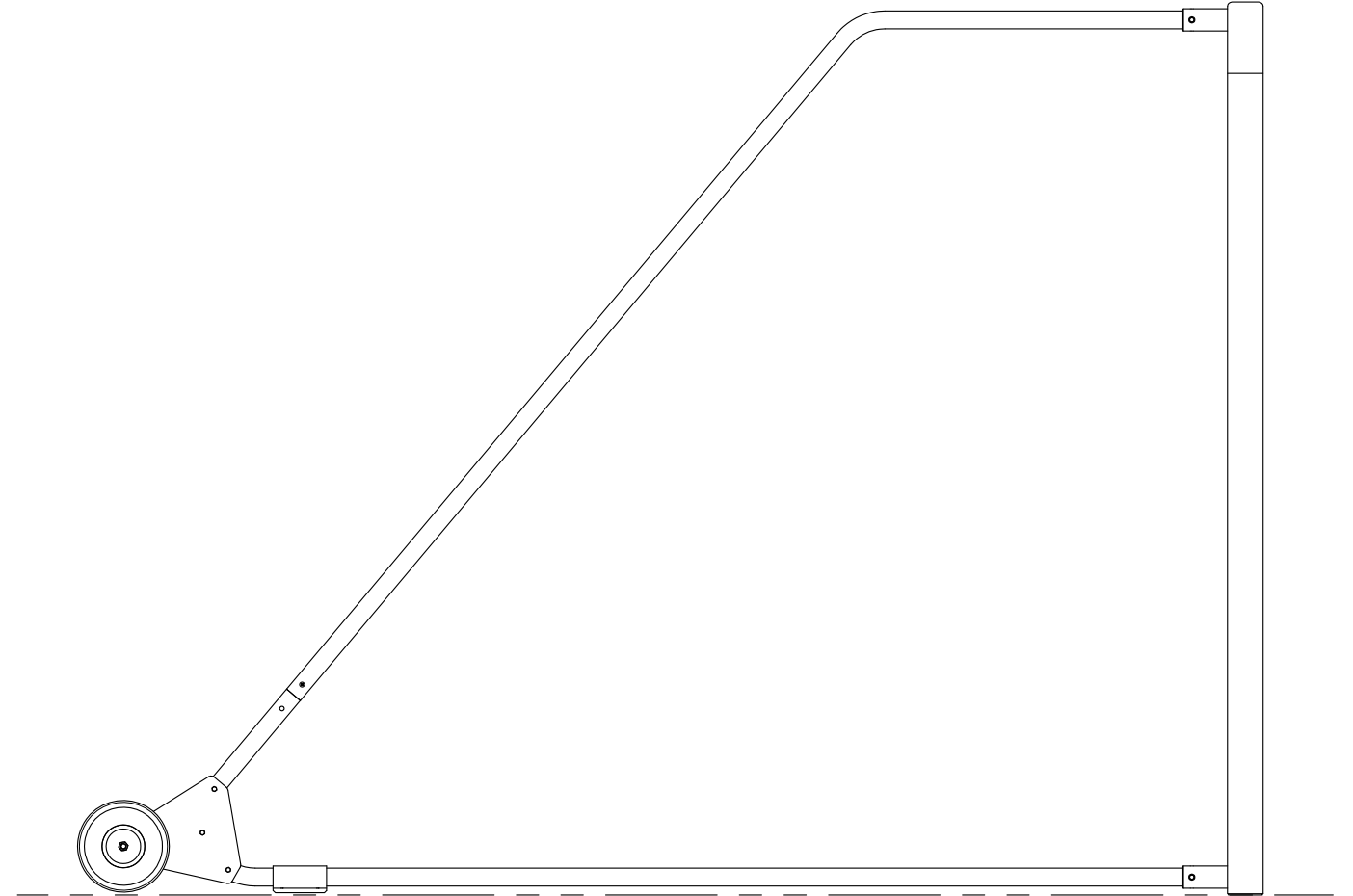
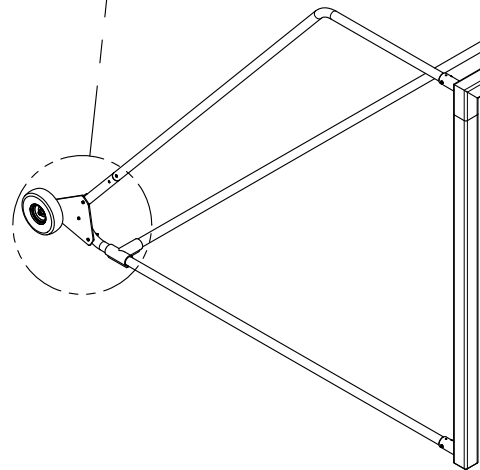
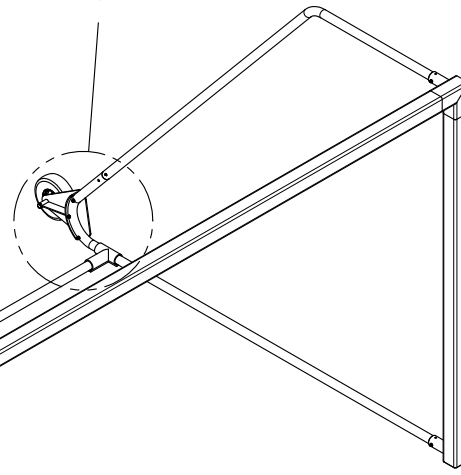
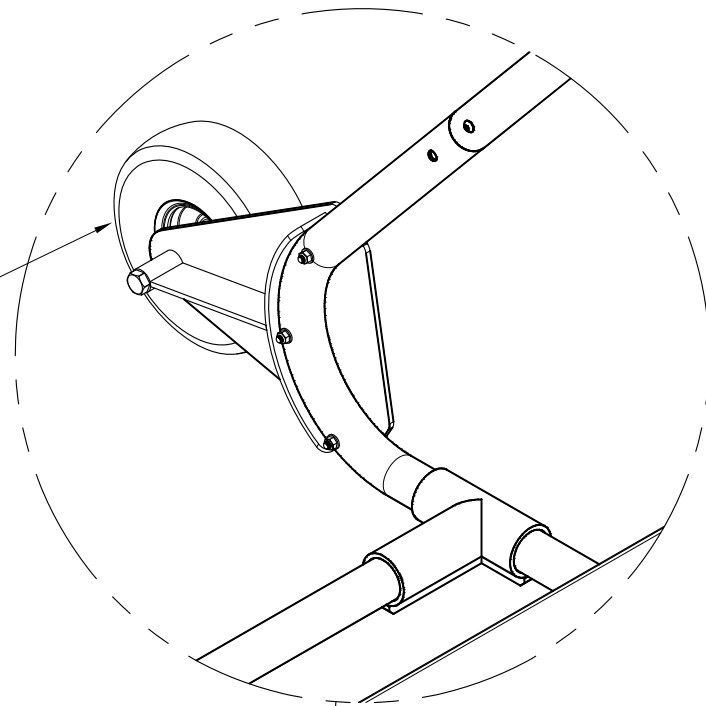
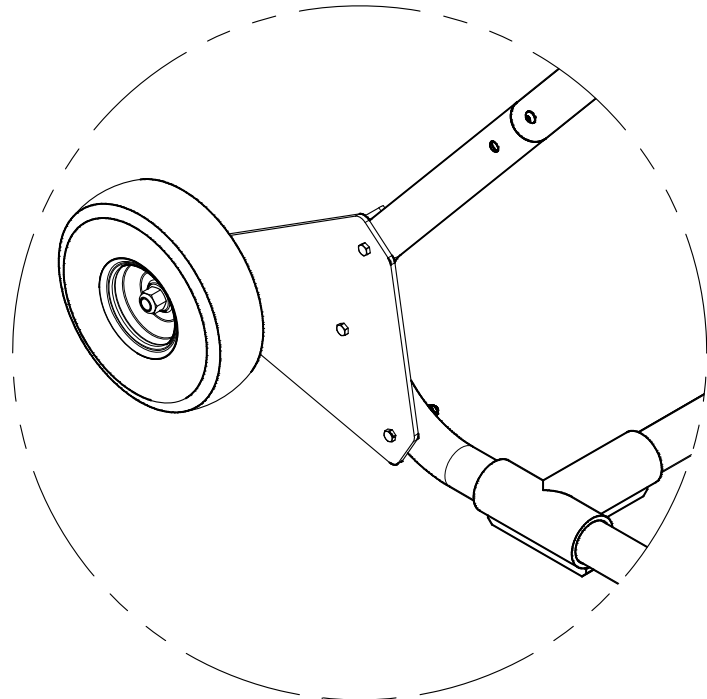
NOTES:

1. TWO WHEEL ASSEMBLIES ARE REQUIRED PER SOCCER GOAL.
2. REFER TO INSTALLATION INSTRUCTIONS FOR ATTACHMENT OF WHEELS TO SOCCER GOALS.
3. BILL OF MATERIAL QUANTITIES ARE FOR ONE FIELD INSTALLATION.

01	ITEM #4 WAS STANDARD THICKNESS HEXNUT	FWS	---	05/11/10
----	---------------------------------------	-----	-----	----------

REV	DESCRIPTION	BY	CHKD	DATE
SportsEdge® A Division of ABT, Inc. P.O. Box 837 * 259 Murreck Road Troutman, NC 28166 800-334-0057				
FABRICATION DRAWING © 2009 SportsEdge WHEEL ASSEMBLY KIT SOCCER GOAL WHEEL KIT - REAR ATTACH.				
FILE: SE-SG-WAK-01		PART: SE-SG-WAK		
<small>Proprietary rights of ABT, Inc. are included in the information disclosed herein. The recipient, by accepting this document, agrees that neither this document nor the information disclosed herein nor any part thereof shall be copied, reproduced or transferred to others for manufacturing or for any other purpose except as specifically authorized in writing by ABT, Inc.</small>				
<small>DISCLAIMER: The customer and the customer's architect, engineers, consultants and other professionals are completely responsible for the selection, installation, and maintenance of any product purchased from ABT, and EXCEPT AS EXPRESSLY PROVIDED IN ABT'S STANDARD WARRANTIES, ABT MAKES NO WARRANTY, EXPRESS OR IMPLIED, AS TO THE SUITABILITY, DESIGN, MERCHANTABILITY, OR FITNESS OF THE PRODUCT FOR CUSTOMER'S APPLICATION. Copies of ABT's standard warranties are available upon request.</small>				

TIRE & WHEEL ASSEMBLY KIT
SPORTEDGE PART # SE-SG-WAK
(INCLUDES MTG HARDWARE)



INSTALLATION INSTRUCTIONS:

1. SOCCER GOAL SHOULD BE SETUP ON LEVEL GROUND, BACKSTAYS CONTACTING AND LEVEL.
2. POSITION WHEEL AND MOUNT ASSEMBLY AS ILLUSTRATED WITH ARC PLATE AND MOUNTING PLATE AGAINST BACKSTAY TUBING.
3. ALLOW WHEEL AND MOUNT TO ROTATE DOWNWARD CONTACTING GROUND. CLAMP MOUNTING PLATE AND MATCH DRILL THROUGH TUBING WITH 1 1/32" DRILL BIT AT THE THREE HOLES.
4. INSTALL THREE 5/16"-18 X 2 3/4" LONG HEX HEAD CAP SCREWS AND HEX LOCKING NUTS PROVIDED.
DO NOT OVER TIGHTEN DISTORTING BACKSTAY TUBING.
5. REPEAT PROCESS FOR THE OTHER SIDE. WHEEL SHOULD ALWAYS BE OUTSIDE, WHEEL ASSEMBLY IS REVERSIBLE.
6. TO MOVE SOCCER GOAL, USE TWO PEOPLE, LIFT EACH FRONT CORNER AND DRAG, WHEEL WILL CONTACT UPON LIFTING FRONT CORNERS APPROXIMATELY THIRTY INCHES.
7. POSITION GOALS AND ANCHOR TO GROUND WITH ANY APPROVED METHOD.
8. **READ AND FOLLOW ALL GOAL ANCHORING INSTRUCTIONS PROVIDED BEFORE PLAY.**

REV	DESCRIPTION	FWS	BY	CHKD	DATE
00	ORIGINAL ISSUE				06/16/09
SportsEdge® A Division of ABT, Inc. P.O. Box 837 • 259 Mardock Road Troutman, NC 28166 800-334-6057					
FABRICATION DRAWING © 2009 SportsEdge INSTALLATION INSTRUCTIONS SOCCER GOAL WHEEL KIT - REAR ATTACH.		FILE:	SE-SG-WK-INST-00	PART:	SE-SG-WK-INST
<small>Proprietary rights of ABT, Inc. are included in the information disclosed herein. The recipient, by accepting this document, agrees that neither this document nor the information disclosed herein nor any part thereof shall be copied, reproduced or transferred to others for manufacturing or for any other purpose except as specifically authorized in writing by ABT, Inc.</small>					
<small>DISCLAIMER: The customer and the customer's architects, engineers, consultants and other professionals are completely responsible for the selection, installation, and maintenance of any product purchased from ABT, and EXCEPT AS EXPRESSLY PROVIDED IN ABT'S STANDARD WARRANTIES, ABT MAKES NO WARRANTY, EXPRESS OR IMPLIED, AS TO THE SUITABILITY, DESIGN, MERCHANTABILITY, OR FITNESS OF THE PRODUCT FOR CUSTOMER'S APPLICATION. Copies of ABT's standard warranties are available upon request.</small>					