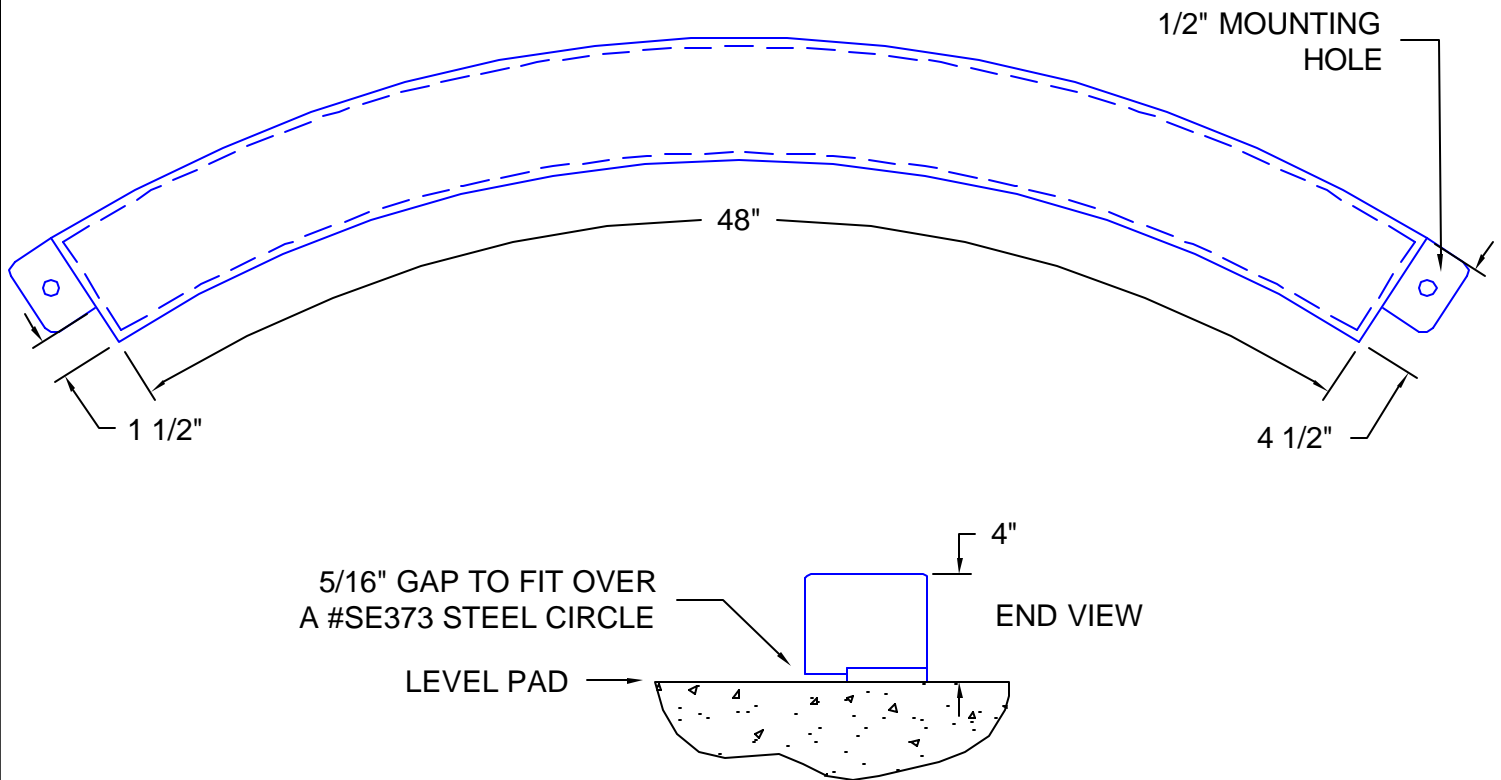


SE364 - CAST ALUMINUM TOEBOARD, LEVEL PAD

SPECIFICATIONS

The SE364 Cast Aluminum Toeboard is designed to be used on a level throwing surface with a SportsEdge SE373 Steel Shot Circle. SportsEdge aluminum toeboards are cast from #535 ALMAG alloy with a wall thickness of 5/16". #535 ALMEG is an aluminum and magnesium alloy with excellent corrosion resistance. All aluminum toeboards are finished with a durable white powder coat paint. This toeboard meets all NFSHSA requirements for high school use.



Proprietary rights of ABT, Inc. are included in the information disclosed herein. The recipient, by accepting this document, agrees that neither this document nor the information disclosed herein nor any part thereof shall be copied, reproduced or transferred to others for manufacturing or for any other purpose except as specifically authorized in writing by ABT, Inc..

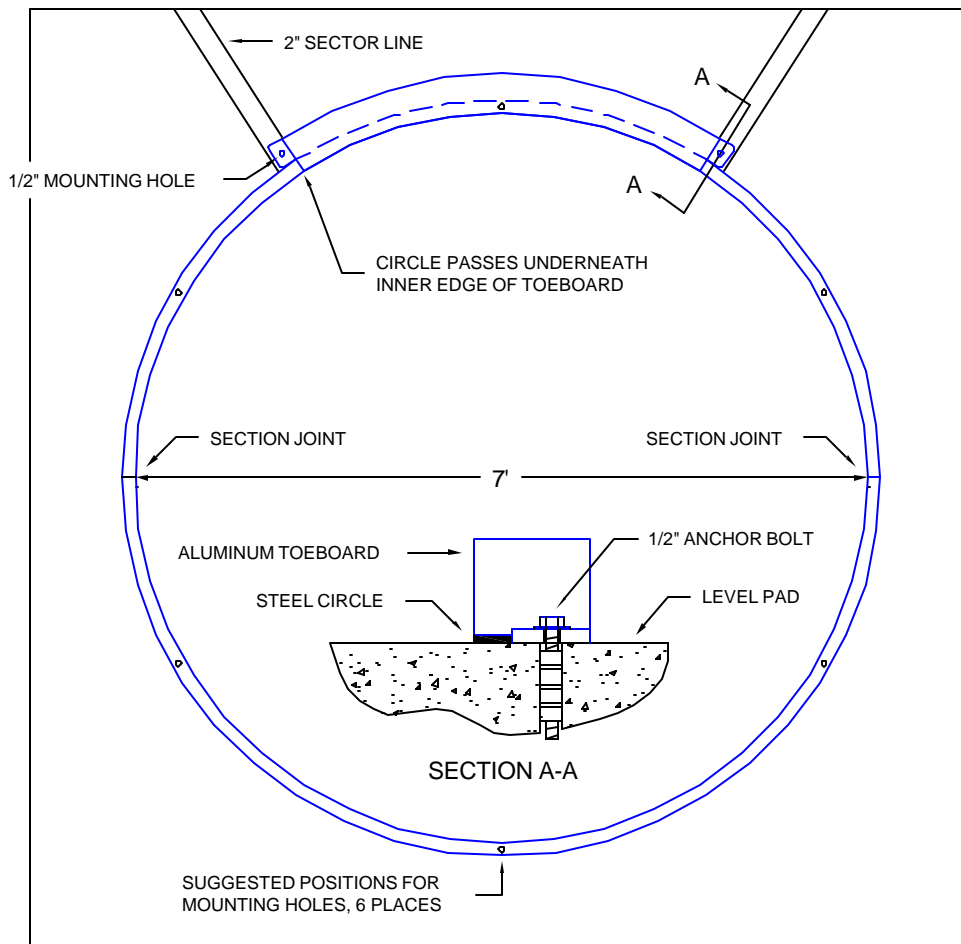
SportsEdge A Division of ABT, Inc. P.O. Box 837 * 259 Murdock Road Troutman, NC 28166 800-334-6057	TITLE: SE364 Aluminum Shot Toe-Board (Level Pad)		
	DRAWN BY: M.D.H.	CHECKED BY:	DRAWING NUMBER: SE364-1
SCALE: NONE	DATE: 3/17/04	A—	
<small>DISCLAIMER : The customer and the customer's architects, engineers, consultants and other professionals are completely responsible for the selection, installation, and maintenance of any product purchased from ABT, and EXCEPT AS EXPRESSLY PROVIDED IN ABT'S STANDARD WARRANTIES, ABT MAKES NO WARRANTY, EXPRESS OR IMPLIED, AS TO THE SUITABILITY, DESIGN, MERCHANTABILITY, OR FITNESS OF THE PRODUCT FOR CUSTOMER'S APPLICATION. Copies of ABT's standard warranties are available upon request.</small>			

SE364 - ALUMINUM TOEBOARD, LEVEL PAD INSTALLATION

INSTRUCTIONS

1. The SE364 toeboard is mounted to a flat throwing surface (pad) and requires a SportsEdge SE373 Steel Shot Circle as shown below.
2. Inscribe a 7 foot diameter circle on the pad to designate the inside edge of the steel circle. The circle should be centered on the pad with the two section joints to the right and left sides.
3. The SE373 circle does not come with drilled mounting holes. Holes can be drilled and counter sunk to fit the installers needs or as shown below.
4. Using the toeboard and the circle as a template, mark the center of the holes to be drilled for the bolt anchors. Be sure the toeboard is properly positioned with the inside curved edge of the toeboard even with the inner edge of the steel circle. The toeboard must also be centered on the sector lines.
5. Drill the holes for the circle and toeboard anchors. Mount the circle first as the toeboard sits down over it. When mounting the toeboard, use 1/2" flat washers between the toeboard and the heads of the 1/2" anchor bolts.

NOTE: Toeboard must be centered on sector lines, high school sector shown.



NOTICE: All installations should be done by experienced contractors and in accord with all applicable codes, laws and regulations. Suggested installation instructions herein are illustrative only and should be adapted to suit local requirements. SportsEdge is not responsible for the manner in which these products are installed.

Proprietary rights of ABT, Inc. are included in the information disclosed herein. The recipient, by accepting this document, agrees that neither this document nor the information disclosed herein nor any part thereof shall be copied, reproduced or transferred to others for manufacturing or for any other purpose except as specifically authorized in writing by ABT, Inc..

<b style="font-size: 1.2em; color: red;">SportsEdge A Division of ABT, Inc. P.O. Box 837 * 259 Murdock Road Troutman, NC 28166 800-334-6057	TITLE: SE364 - Level Pad Installation	
	DRAWN BY: M.D.H.	CHECKED BY:
SCALE: NONE	DATE: 3/17/04	DRAWING NUMBER: <b style="font-size: 1.5em;">A — SE364-2
DISCLAIMER : The customer and the customer's architects, engineers, consultants and other professionals are completely responsible for the selection, installation, and maintenance of any product purchased from ABT, and EXCEPT AS EXPRESSLY PROVIDED IN ABT'S STANDARD WARRANTIES, ABT MAKES NO WARRANTY, EXPRESS OR IMPLIED, AS TO THE SUITABILITY, DESIGN, MERCHANTABILITY, OR FITNESS OF THE PRODUCT FOR CUSTOMER'S APPLICATION. Copies of ABT's standard warranties are available upon request.		