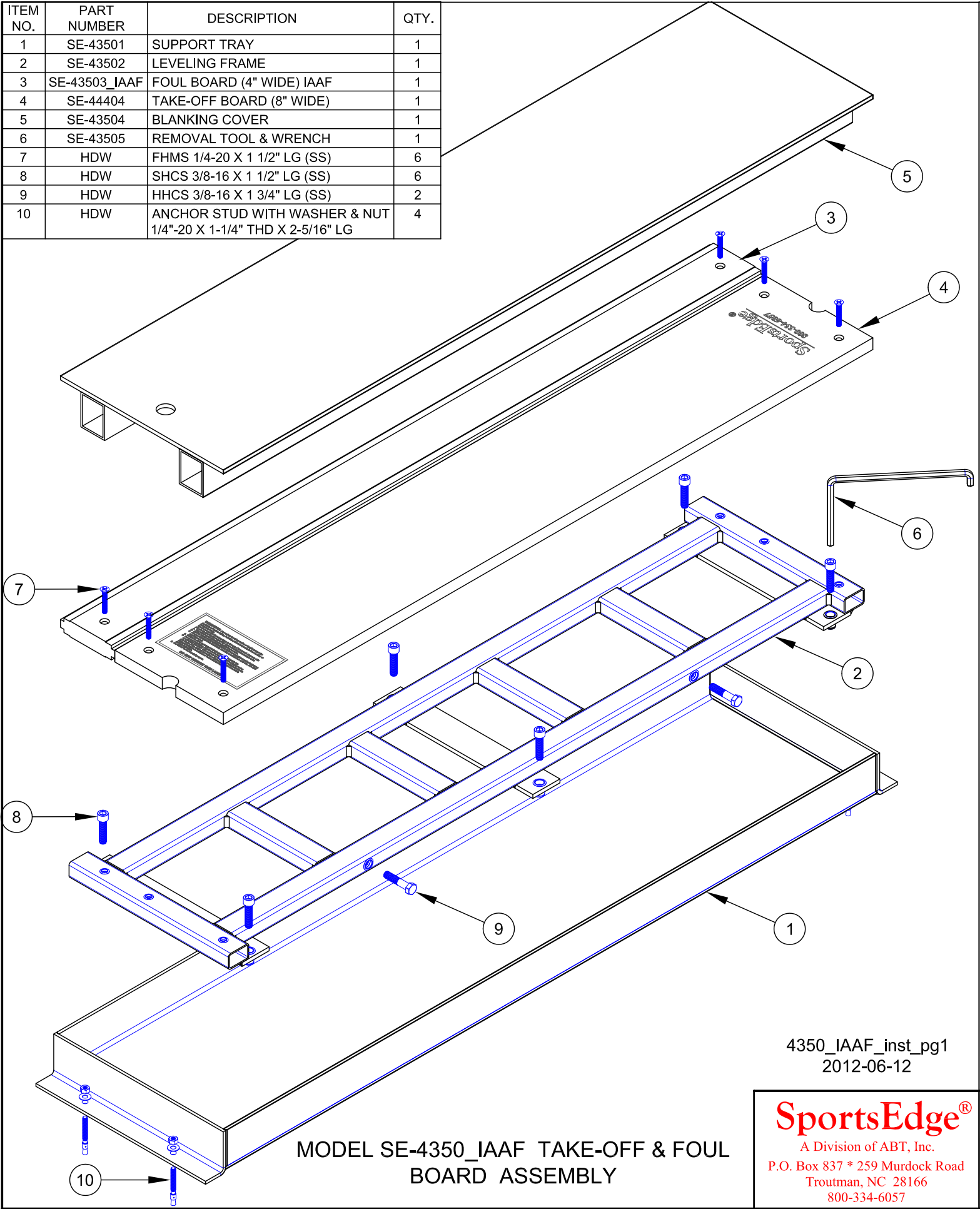


ITEM NO.	PART NUMBER	DESCRIPTION	QTY.
1	SE-43501	SUPPORT TRAY	1
2	SE-43502	LEVELING FRAME	1
3	SE-43503_IAAF	FOUL BOARD (4" WIDE) IAAF	1
4	SE-44404	TAKE-OFF BOARD (8" WIDE)	1
5	SE-43504	BLANKING COVER	1
6	SE-43505	REMOVAL TOOL & WRENCH	1
7	HDW	FHMS 1/4-20 X 1 1/2" LG (SS)	6
8	HDW	SHCS 3/8-16 X 1 1/2" LG (SS)	6
9	HDW	HHCS 3/8-16 X 1 3/4" LG (SS)	2
10	HDW	ANCHOR STUD WITH WASHER & NUT 1/4"-20 X 1-1/4" THD X 2-5/16" LG	4



4350_IAAF_inst_pg1
2012-06-12

SportsEdge[®]
 A Division of ABT, Inc.
 P.O. Box 837 * 259 Murdock Road
 Troutman, NC 28166
 800-334-6057

MODEL SE-4350_IAAF TAKE-OFF & FOUL BOARD ASSEMBLY

Proprietary rights of ABT, Inc. are included in the information disclosed herein. The recipient, by accepting this document, agrees that neither this document nor the information disclosed herein nor any part thereof shall be copied, reproduced or transferred to others for manufacturing or for any other purpose except as specifically authorized in writing by ABT, Inc.

DISCLAIMER: The customer and the customer's architects, engineers, consultants and other professionals are completely responsible for the selection, installation, and maintenance of any product purchased from ABT, and EXCEPT AS EXPRESSLY PROVIDED IN ABT'S STANDARD WARRANTIES, ABT MAKES NO WARRANTY, EXPRESS OR IMPLIED, AS TO THE SUITABILITY, DESIGN, MERCHANTABILITY, OR FITNESS OF THE PRODUCT FOR CUSTOMER'S APPLICATION. Copies of ABT's standard warranties are available upon request.