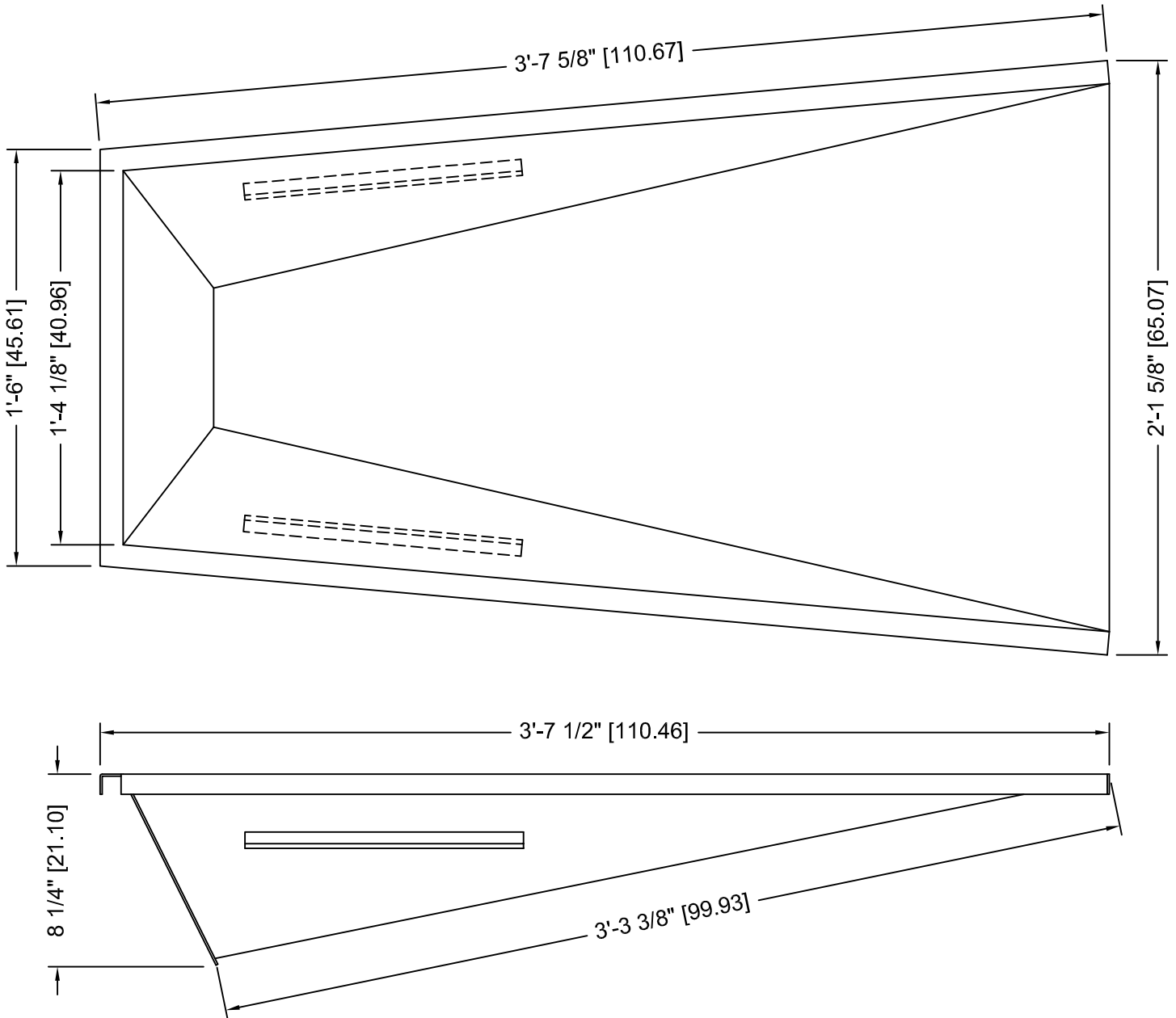


# SE500 - STEEL VAULT BOX

## SPECIFICATIONS

The SE500 Steel Vault Box is fabricated from 13 gauge [2.3mm] steel. It has a Powder Coated White Finish. The sides and bottom of the box are cut out and folded from a single sheet. The box backstop is welded to the sides and bottom with one continuous weld along the outside edge. The upper edges along the front, sides, and back are folded over 7/8" [2.2cm] to eliminate any sharp edges. Two outer side wings secure the box position when placed in concrete. Measurements in brackets are in centimeters.



Proprietary rights of ABT, Inc. are included in the information disclosed herein. The recipient, by accepting this document, agrees that neither this document nor the information disclosed herein nor any part thereof shall be copied, reproduced or transferred to others for manufacturing or for any other purpose except as specifically authorized in writing by ABT, Inc..

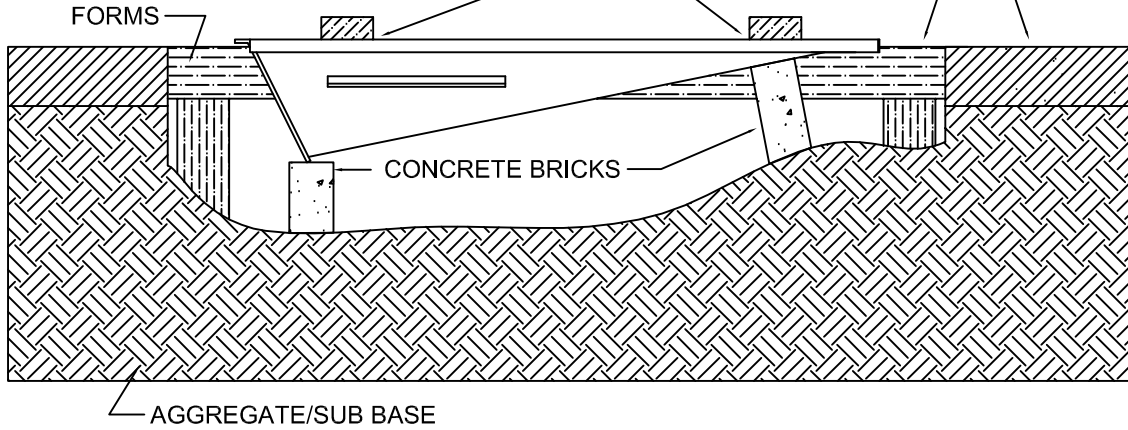
<b>SportsEdge</b> A Division of ABT, Inc. P.O. Box 837 * 259 Murdock Road Troutman, NC 28166 800-334-6057	<b>TITLE:</b> SE500 Steel Vault Box		
	<b>DRAWN BY:</b> M.D.H.	<b>CHECKED BY:</b>	<b>DRAWING NUMBER:</b> SE500-1
<b>SCALE:</b> NONE	<b>DATE:</b> 3/17/04	<b>A-</b>	
<small>DISCLAIMER: The customer and the customer's architects, engineers, consultants and other professionals are completely responsible for the selection, installation, and maintenance of any product purchased from ABT, and EXCEPT AS EXPRESSLY PROVIDED IN ABT'S STANDARD WARRANTIES, ABT MAKES NO WARRANTY, EXPRESS OR IMPLIED, AS TO THE SUITABILITY, DESIGN, MERCHANTABILITY, OR FITNESS OF THE PRODUCT FOR CUSTOMER'S APPLICATION. Copies of ABT's standard warranties are available upon request.</small>			

# SE500 - STEEL VAULT BOX INSTALLATION

## INSTALLATION OF BOX IN NEW OR EXISTING RUNWAY

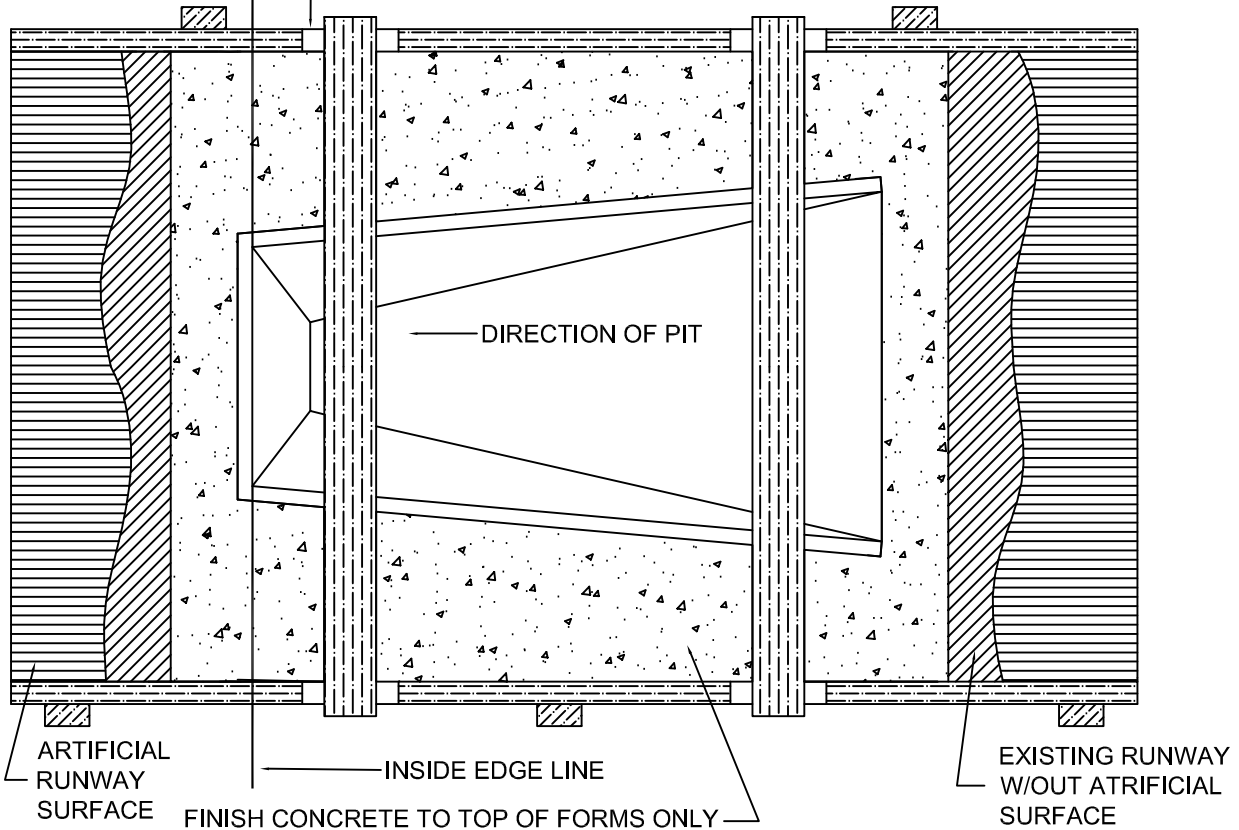
FORMS EVEN WITH RUNWAY PRIOR TO  
INSTALLATION OF ARTIFICIAL SURFACE

BOX HELD FIRM TO UNDERSIDE OF CROSSBRACES



SIDE VIEW PRIOR TO CONCRETE POUR

SPACERS TO MATCH SYNTHETIC RUNWAY THICKNESS  
(NOT REQUIRED IF SYNTHETIC SURFACE NOT USED)



PLAN VIEW FOLLOWING CONCRETE POUR

Proprietary rights of ABT, Inc. are included in the information disclosed herein. The recipient, by accepting this document, agrees that neither this document nor the information disclosed herein nor any part thereof shall be copied, reproduced or transferred to others for manufacturing or for any other purpose except as specifically authorized in writing by ABT, Inc..

**SportsEdge**

A Division of ABT, Inc.  
P.O. Box 837 \* 259 Murdock Road  
Troutman, NC 28166  
800-334-6057

TITLE:

SE500 - Installation

DRAWN BY: M.D.H.

CHECKED BY:

DRAWING NUMBER:

SCALE: NONE

DATE: 3/17/04

**A-**

SE500-2

DISCLAIMER: The customer and the customer's architects, engineers, consultants and other professionals are completely responsible for the selection, installation, and maintenance of any product purchased from ABT, and EXCEPT AS EXPRESSLY PROVIDED IN ABT'S STANDARD WARRANTIES, ABT MAKES NO WARRANTY, EXPRESS OR IMPLIED, AS TO THE SUITABILITY, DESIGN, MERCHANTABILITY, OR FITNESS OF THE PRODUCT FOR CUSTOMER'S APPLICATION. Copies of ABT's standard warranties are available upon request.