

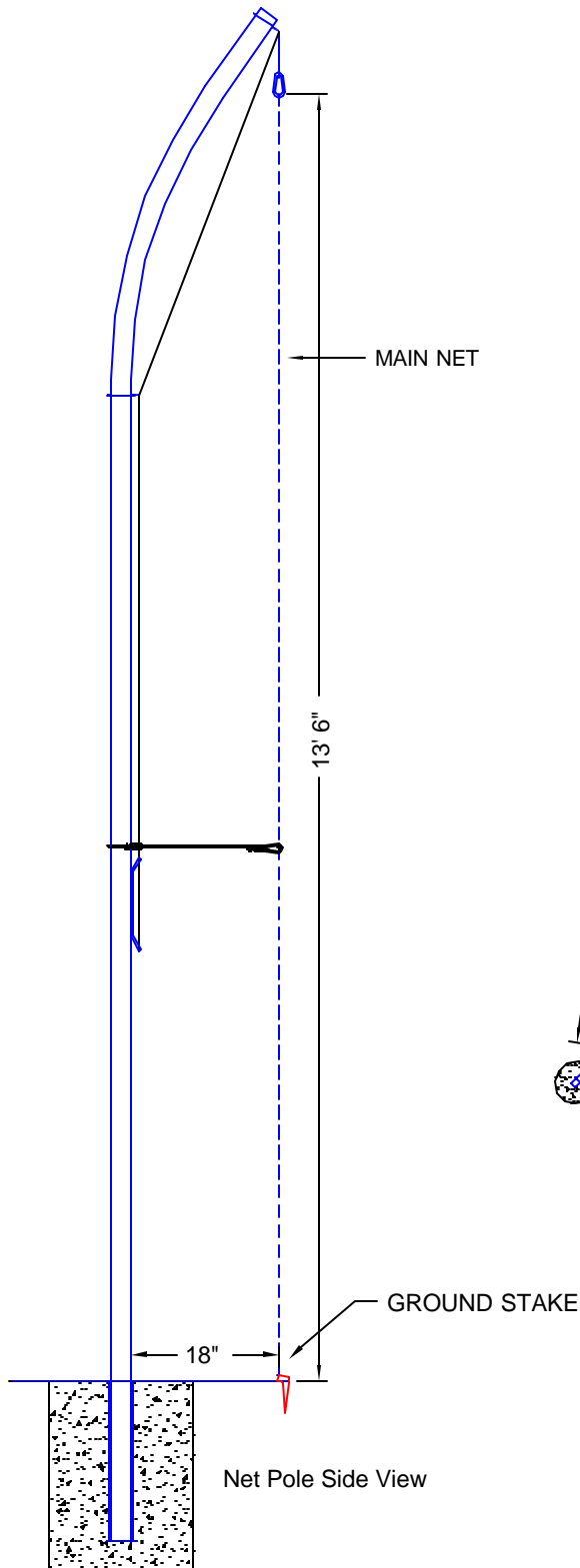
805 - SHOT CAGE (40 DEGREE SECTOR)

SportsEdge

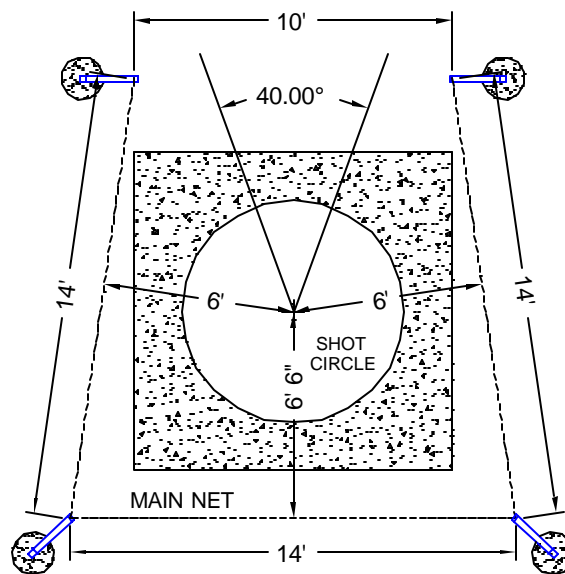
800-334-6057

SPECIFICATIONS

The SE805 Shot Cage consists of four painted steel net poles with ground sleeves, a vinyl coated net support cable to reduce net sag, and a weather treated nylon net. Also included are four net ground stakes to position the net at the base of the pole and net retainer ropes. The poles are 14 gauge, 2 1/2" square steel tube finished with white powder coat paint. Each pole stands in a 20" deep ground sleeve. The net is 320 lb. test nylon which has been weather treated.



NOTE: Front pole offsets face each other while the back pole offsets face the circle center.



Drawing "A" - Cage Layout