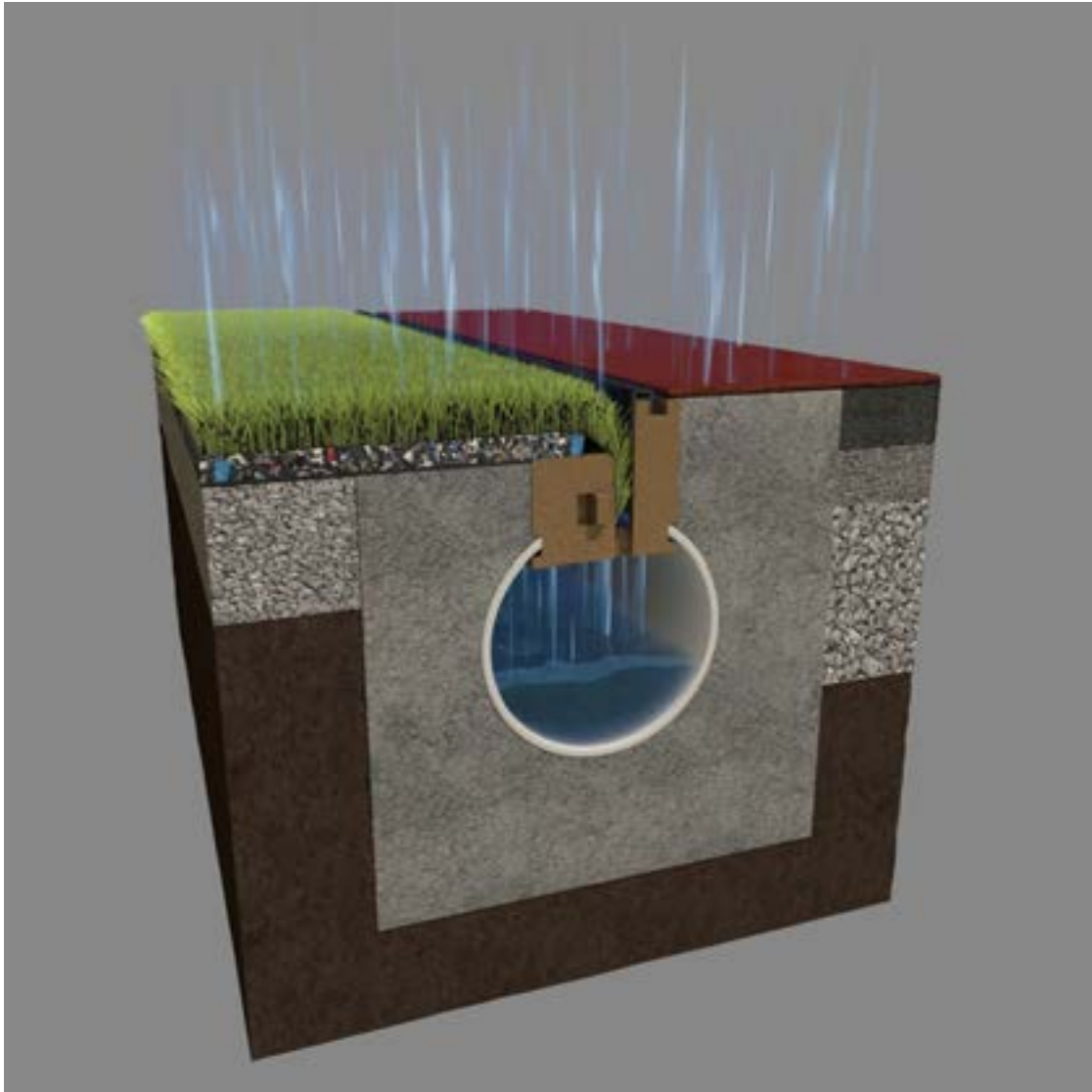


# **TERMINATOR™**

## **INSTALLATION INSTRUCTIONS**



# Please read carefully. Read installation instructions from beginning to end before beginning the installation.

## **Materials List** (\*Not all Materials are supplied by SportsEdge)

- XT-8 Collector Channels & Catch Basins
- PVC Joint Couplers
- Endplates, Corner Pieces, Adapters
- $\frac{3}{8}$ " x 8" Eye Bolts w/ Nuts & Washers
- $\frac{1}{2}$ " x 40" Threaded Rod w/ Nuts & Washers
- ProPlay23D Drainage Performance Pad
- \*Concrete Forms / Form Lumber
- \*Grade Stakes
- \*2" X 4" X 24" Suspension Lumber
- \*2" Wide Duct Tape; Enough for entire length of both rows of openings
- \*Concrete Saw W/ Diamond Blade
- \*Drill
- \* $\frac{3}{8}$ " Masonry Drill Bit
- \* $\frac{3}{8}$ " Wood Drill Bit
- \*Utility Knife

## Installing the XT-8 Collector

**Set concrete forms** on both sides of the excavated trench to the correct elevation. This elevation is per architectural plans for the top of the finished concrete encasement on the track (higher) side. Check all elevations using a laser level and string lines.

*It should be noted that the finished concrete will not be visible in the completed project.*

The forms should be sturdy enough to ensure no movement during the concrete placement. Install grade stakes as required by local soil conditions.

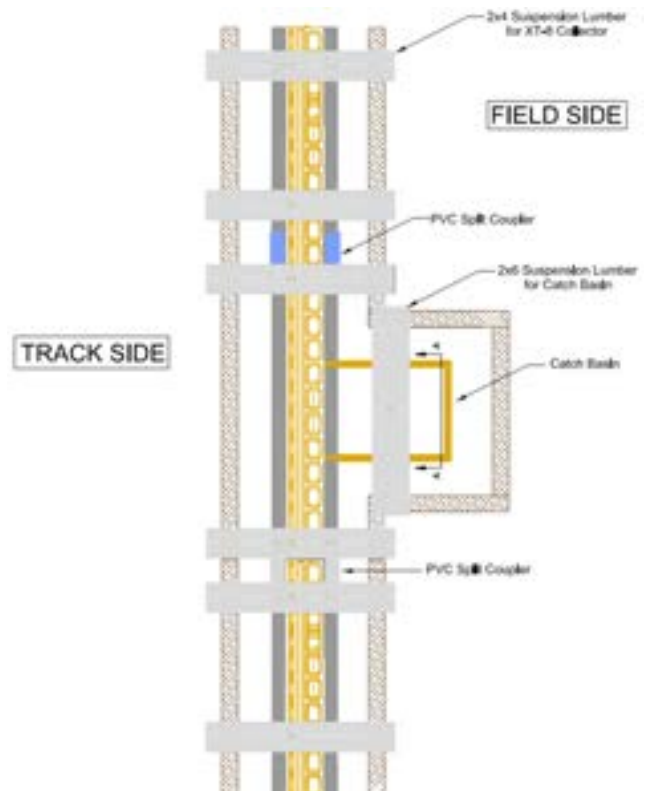


Figure A

The forms for the suspension and concrete encasement of the catch basins are to be placed on the field side of the XT-8 Collector (Figure B). These forms are set  $1\frac{5}{8}$ " lower than the Collector forms and equal in elevation to the lower set of drain holes in the Collector (Figure B).

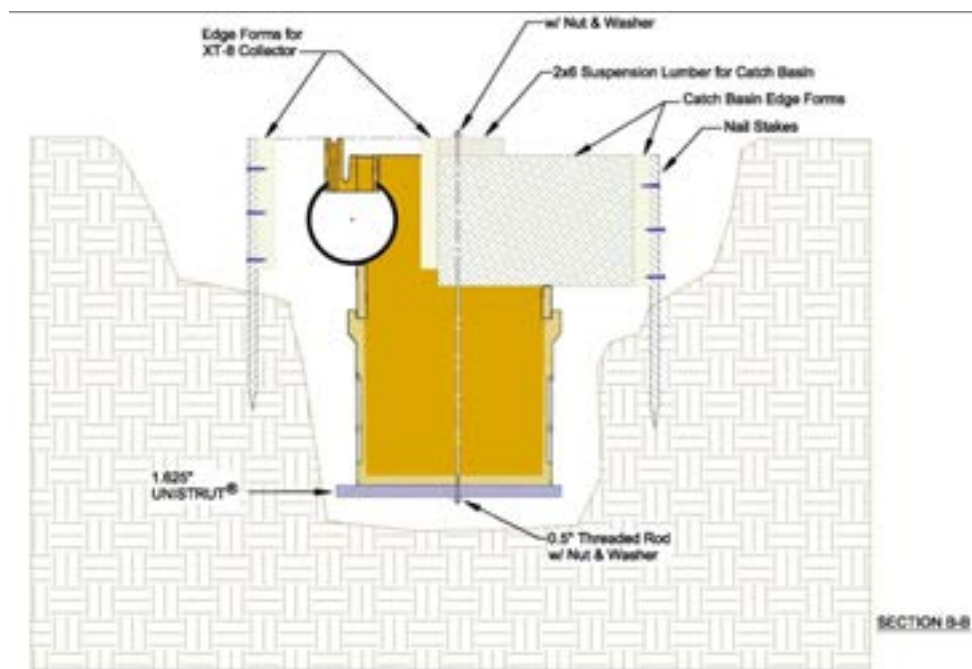


Figure B

**Lay out the XT-8 Collector** sections alongside the formwork. Attach a PVC Joint Coupler to one end of each channel. Center the coupler so that  $\frac{1}{2}$  of it will cover each channel.

Drill a  $\frac{7}{16}$ " hole through the 2" x 4" x 24" suspension lumber approximately 10" inches from one end. Insert an eye bolt through the hole in the 2" x 4" and attach a washer and nut. **Attach two boards to each one-meter section**, one near each end (second or third slot from each end) by inserting the eye of the bolt through the upper, narrower drain slot, spinning the eye  $90^\circ$  so it is now perpendicular to the slot and tightening the nut firmly. Tighten by hand. Do not use power or air tools as excessive tightening could break the polymer concrete body.





**Place and center the assembled** sections on the concrete forms. The high side of the XT-8 Collector should be oriented toward the track side. Make sure the XT-8 Collectors are set straight. The open polymer slot should remain aligned. The Collectors are joined end to end using the tongue-in-groove connection and the split PVC Joint Couplings. Couplers can be spread and held open with two pieces of 2x4 as seen in the picture to the left. Nail suspension lumber to the edge forms. Once the drain is set and secured; double check the location and alignment before placing the concrete.

Before permanently setting catch basins, it is important to **cut or drill out** the appropriate 8" hole for the outlet pipe in the catch basin sidewall as indicated on the project design drawings. This can be done using a diamond tipped hole saw, or 3/8" masonry drill bit. When using masonry drill bit, drill holes around the circumference at 3/4" centers and tap out the remaining fins of polymer concrete with a cold chisel.



**Assemble the Catch Basins.** Place the 1/2" x 40" threaded rod through the center hole that is in the bottom of the lower section and attach an 18" long section of UNISTRUT® to the underside of the catch basin and secured by a flat washer and nut. Thread the rod flush with the last threads in the nut. This will keep concrete out of the threads and make it easier to remove the rod later. Orient the UNISTRUT® across the short side of the catch basin. Turn the assembly upright and place the top section onto the bottom section. Drill a 5/8" hole in the center of a 3' long 2" x 6". Place the rod through the hole in the 2x6 and orient the board across the short side of the basin. Draw the entire assembly together by installing a flat washer and nut.



The catch basin assembly can now be set on the form placed for them so that the catch basin fits tightly against and conforms to the XT-8 Collector. Reach inside the catch basin top and trace the perimeter of the visible PVC pipe. Lift

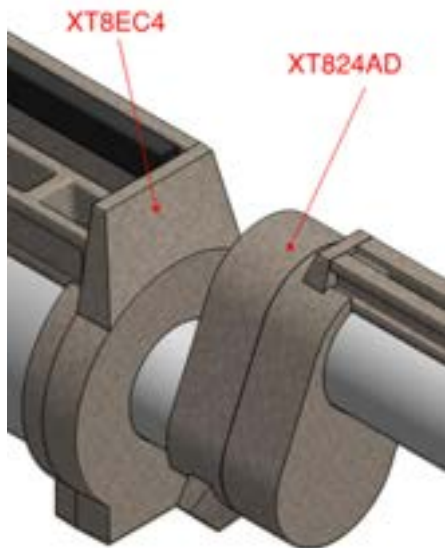


the basin assembly out and **cut out the traced hole** with the appropriate saw. Place the basin assembly back on the forms and secure. Make sure the catch basin is positioned snugly against the PVC pipe and polymer concrete top of the XT-8 Collector.

## Fields with a Surrounding Track

If an XT-4 Track Drain is present on the project, please go to [www.sportsedge.com](http://www.sportsedge.com) "Downloads...Installation Instructions...XT Slot Drain...Suspended Installation Instructions" for instructions on installing the XT-4 Track Drain.

The XT-8 Collector will join with the XT-4 Track Drain wherever the synthetic turf ends in the D-Zone. At this point, the **XT8EC4 End Cap** and the **XT824AD Adapter** are used to join the two systems. A twelve inch (12") gap should be left between the XT-8 Collector and the XT-4 Track Drain.

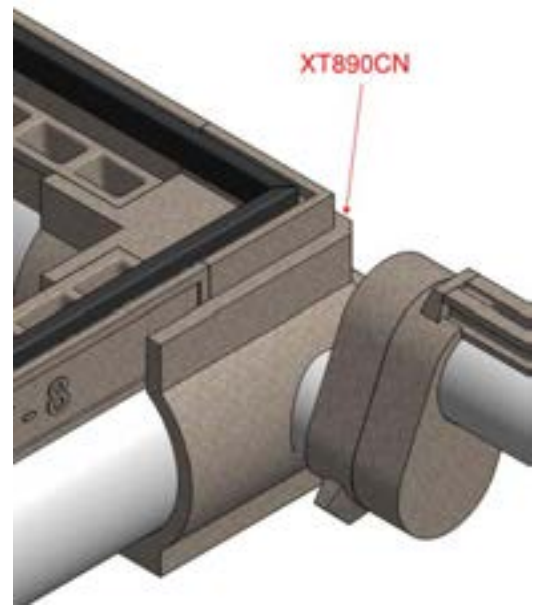


If the XT-8 Collector ends with a factory end, grind off the polymer concrete alignment tab. Glue or tape the XT8EC4 End Cap onto the end of the XT-8 Collector. Cut a short piece of 4" SCH40 PVC pipe and insert it into the hole in the End Cap. Slide the XT824AD adapter over the end of the XT-4 Track Drain and twist the adapter until the hole in the adapter lines up with the 4" pipe stub. (The part is reversible for either side of the field). This offset allows the Track Drain slots in the two products to align. Slide the pipe stub into the adapter. The encasement concrete will seal the connection.

## Stand-alone Fields (no Track)

If the XT-8 Collector surrounds an entire rectangular field, the **XT890CN Corner Piece** is used to connect the XT-8 Collector runs at the corner. Cut the last piece of XT-8 Collector so that when inserted into the corner piece, the track drain slots meet and create continuity into the corner. The bottom of the XT890CN is flat and can be supported by bricks during installation.

As shown at right, the third option is a field with a track AND an XT-8 Collector across the D-Zone. In this situation, a pipe stub goes from the XT-4 Track Drain Adapter to a cutout in the side of the XT890CN Corner Piece. This cutout must be removed in advance.



**Keep the drain slot openings protected** and clean throughout the construction process. Duct tape will help keep debris and concrete out of XT-8 Collector during installation.

*Note: Prior to installation of the track surfacing, it is recommended that a backer rod or other filler material be placed in the track drain slot to ensure that the slot remains clear of track material. Use a sharp utility or razor blade to remove the backer rod material once the track material has set.*

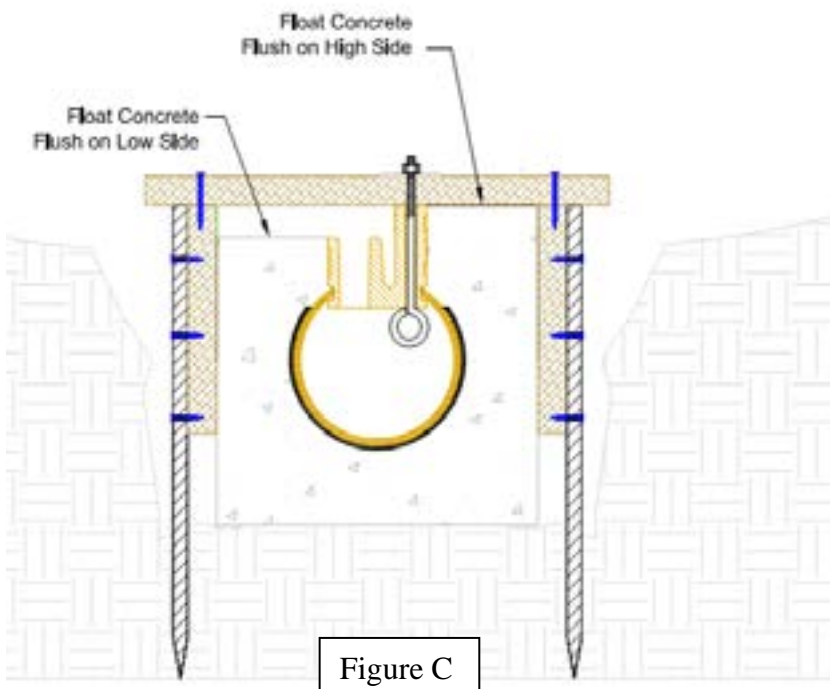


Figure C

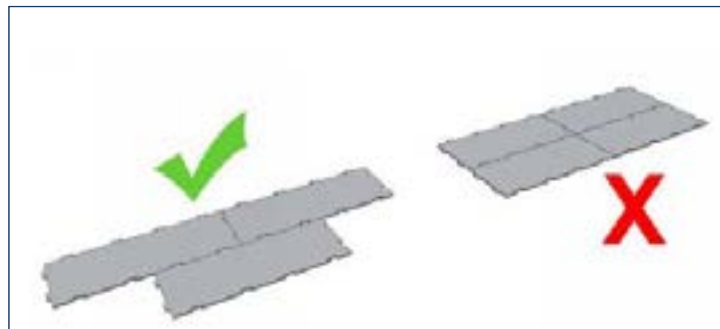
**Pour concrete encasement** being careful not to chute concrete directly against the XT-8 Collector. Concrete should be brought up to the top of the form on the track side and only up to the level of the drain slots on the field side (Figure C). Be careful not to move the channels out of alignment during concrete placement. Distribute concrete evenly. Use a rod to completely consolidate the concrete during placement. Remove 2x4 suspension lumber and finish concrete before it becomes unworkable.

# Installing the ProPlay23D Pad

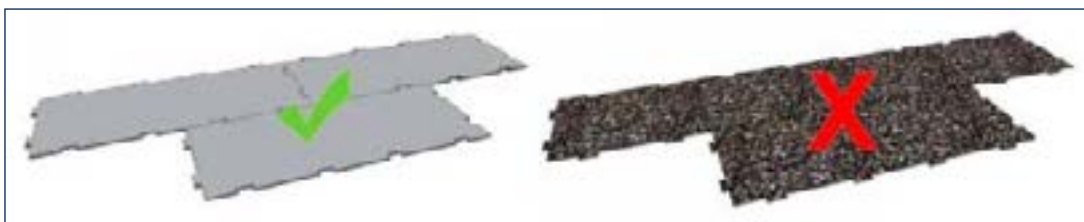
Once the leveling course has been installed on the field side, the **impervious liner** (by others) is laid on top of the stone. The liner should be left long at the edge of the field to accommodate expansion and contraction during this phase of the installation.



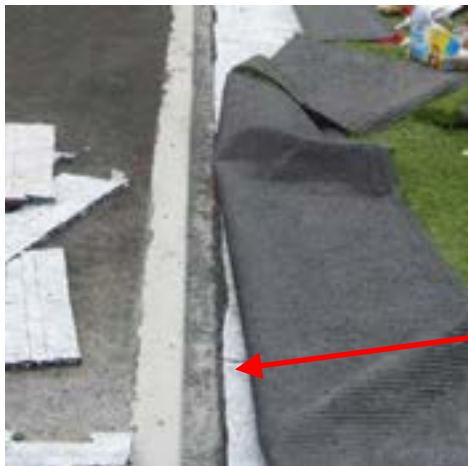
**Begin installing the ProPlay23D Pad** at mid-field (50 yard line), orienting the long side of the pad across the width of the field. The drainage channels should be facing down (fabric side facing up) and running toward the sidelines. Stagger the joints of the pad and connect the pieces by interlocking the puzzle piece die-cuts. This helps to securely interlock the sections and keep the installation square and aligned.



**Stagger the Joints**



**Fabric side up, drainage channel side down**



As with the liner, **leave the ProPlay23D long** at the edge of the field. The synthetic turf should be installed in conjunction with the pad starting at the center of the field. Once infill has been installed in the turf, the combined weight will prevent any further movement of the liner and pad.

**ProPlay23D**

Trim and glue the liner to the concrete encasement of the XT-8 Collector. Using a sharp utility knife, **cut the pad two inches (2") short** of the face of the track drain slot of the XT-8 Collector. The cut edge of the pad should be approximately centered over the large field drain holes.



Trim the synthetic turf to a length that, when tucked into the Turf Tuck Slot, just reaches to the bottom of the slot in a single layer. **Push the Rope Wedge** into the slot by hand to start it. Using a wide cold chisel or an ice pick, drive the rope deep into the slot to firmly anchor the turf.

Using the supplied adhesive, install the 2790XT8 Protective Edge to the field side of the track drain slot. Where there is no surrounding track, install the edging to both sides of the track slot.

