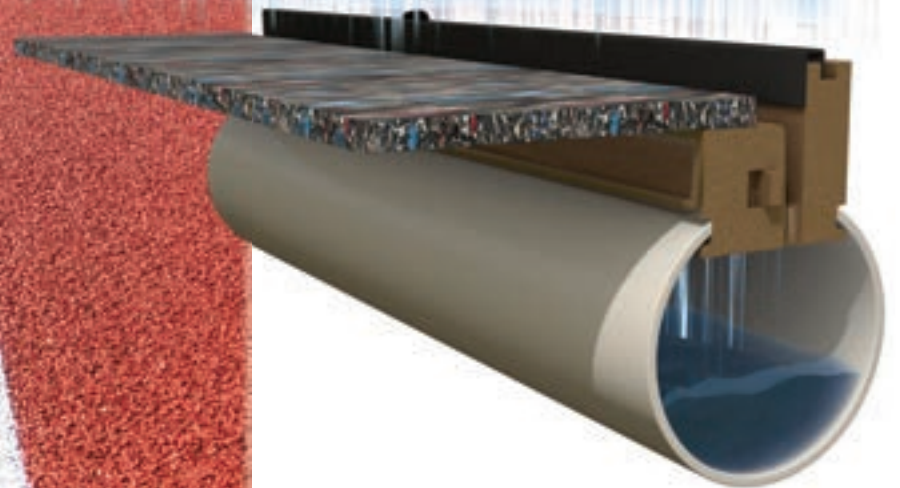
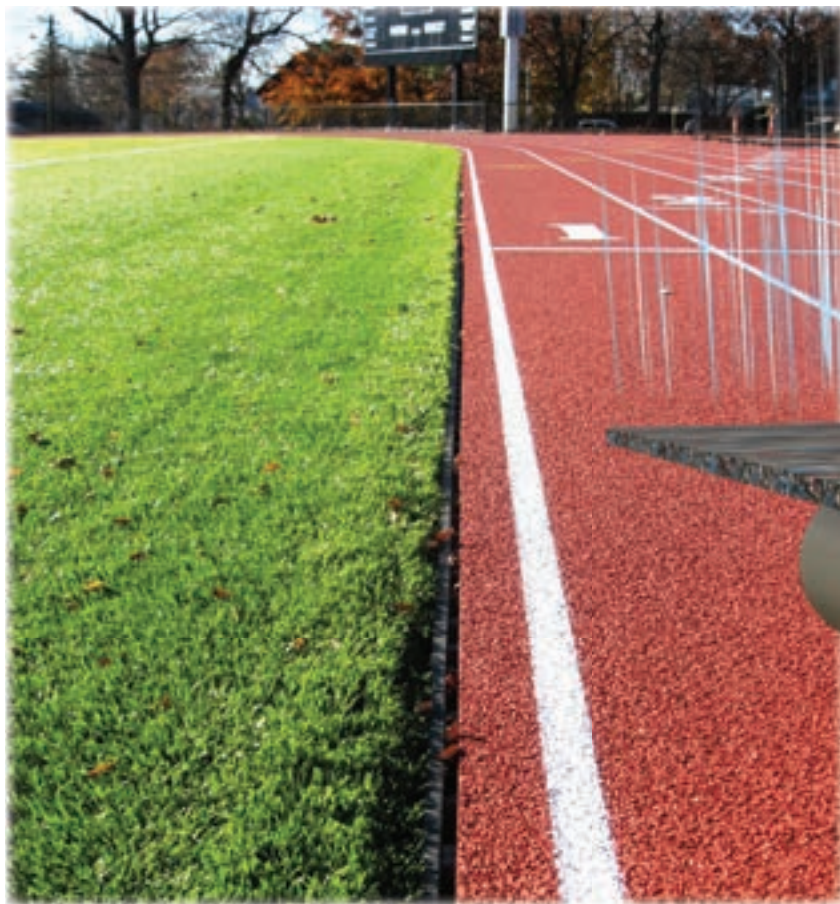




SportsEdge®

Safety. Quality. Versatility. Esthetics.

Advanced Surface Drainage System for Synthetic Turf Field & Running Track Facilities

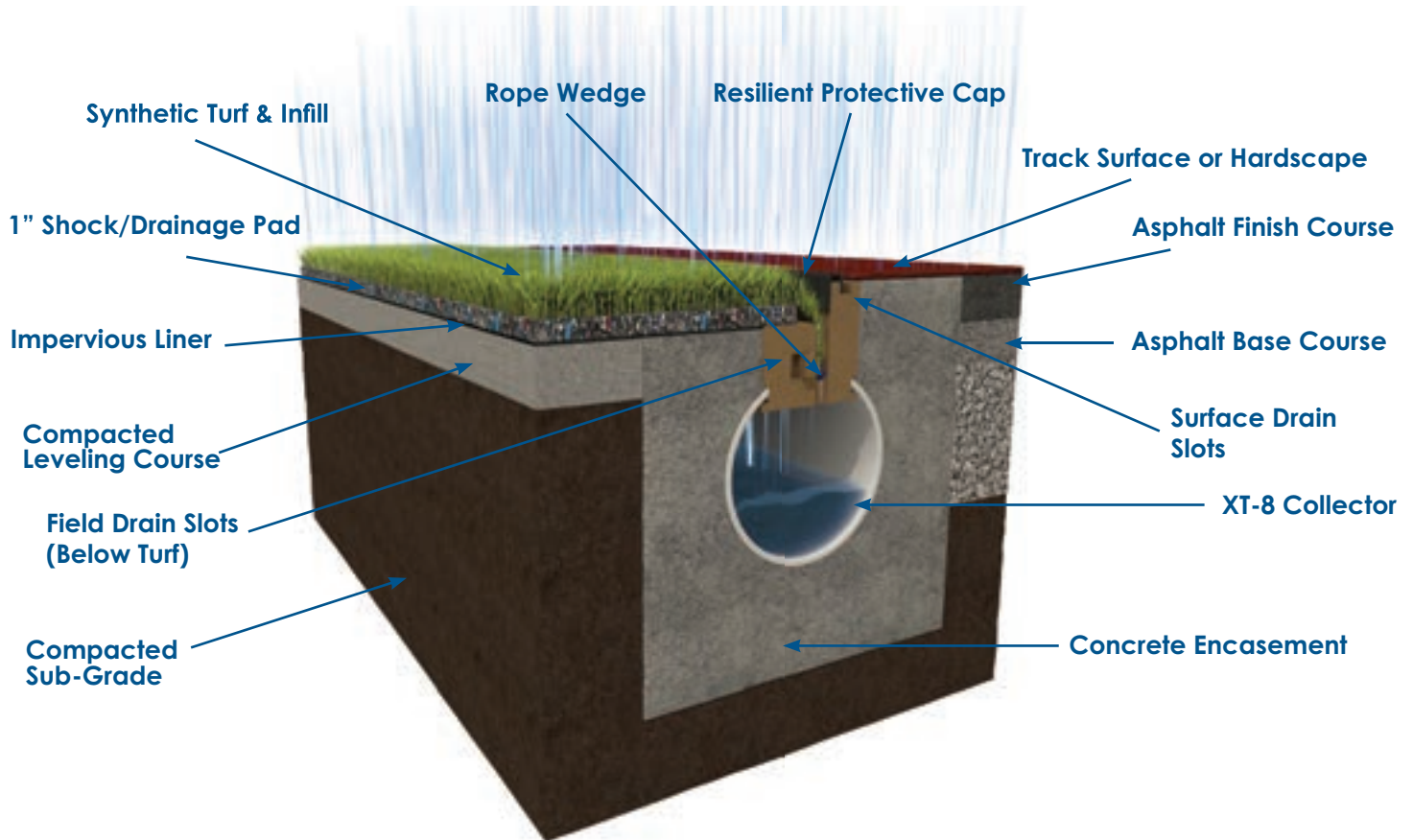


TERMINATOR™

www.sportsedge.com

TERMINATOR™

*Patent Pending



TERMINATOR is the next generation of drainage design for infill synthetic turf fields and tracks. **The TERMINATOR System creates a completely self-contained, engineered drainage envelope for ALL of the storm water on a synthetic turf field, with or without a track.**

Rainwater that passes through the turf enters the ProPlay23D shock pad which is laid over an impervious liner. The porous mat transfers the water to the drainage channels on the underside of the pad. These channels are oriented down the cross slope toward the sidelines, where it drains directly into the XT-8 Collector. The XT-8 Collector pipe carries the water to the catch basins where it is conveyed directly to the designed outfall system. Any surface runoff from the field or hardscape can enter the XT-8 Collector through the surface drainage slots.

TERMINATOR takes up minimal surface and below-grade space. All storm water collection takes place within three inches of the surface and within a twelve inch depth at the field edge. Well-draining fields can now be built on sites with mixed sub-grade soil types.....even on expansive soils, without the cost of stripping and replacing materials.

TERMINATOR, with properly spaced outlets and downstream storm drainage, takes the guesswork out of field drainage. Guaranteed performance every time, under any conditions. TERMINATOR is the faster, easier and smarter way to drain synthetic turf fields and tracks.

Reduce Construction Costs... Improve Field G-Max Performance... Lower Environmental Impact...

ELIMINATE DRAINAGE STONE & PANEL DRAINS

Replace the dynamic stone and panel drain base and reduce materials transportation costs, especially in areas where the right stone is far from the job site. Avoid the problem of stone that doesn't meet specification. Aggregate shape and geologically weak mineral content can compromise drainage performance. Overworked materials can make matters worse.

NO MORE COLLECTOR PIPE TRENCHES

Eliminate the costs of perforated pipe, filter fabric, stone, excavation and backfill. No more low spots resulting from poorly compacted and settling trenches at the edge of the field.

NO NEED FOR SYNTHETIC TURF NAILERS

No more embedded wooden or plastic nailer or formed concrete ledge to build. TERMINATOR provides an integral turf attachment "tuck slot", complete with a nylon rope wedge.

IMPROVE BIOMECHANICAL PERFORMANCE

The right pad, together with a properly tuned infill, offers the correct balance between drainage, energy restitution and impact attenuation. The ProPlay23D pad provides significantly reduced G-max values while providing excellent biomechanical characteristics. Cushioning provided by the ProPlay23D Pad is consistent across its surface and will outlast the original turf. The resulting lower carpet pile height and infill depth reduce costs and mitigate the effects of infill migration and localized compaction. Bottom line... Your turf stays safer longer.

IDEAL FOR CHALLENGING SITE CONDITIONS

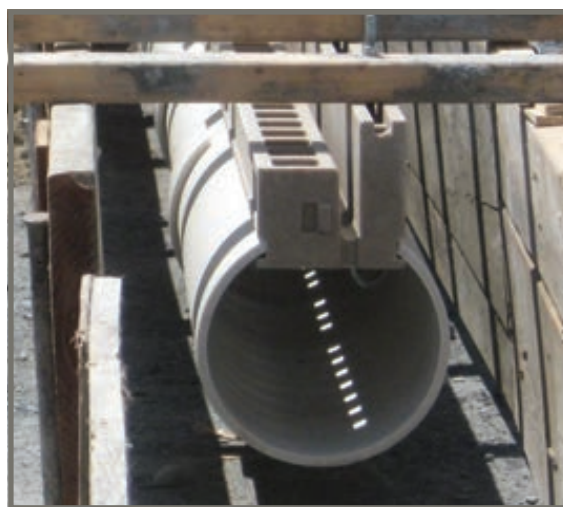
TERMINATOR offers an option for complicated site conditions such as inferior, inconsistent or even expansive soils. No need to strip and replace sub-grade materials that won't drain. And it's the perfect solution for high groundwater tables.

REDUCE TIME TO PROJECT COMPLETION

Compared with the steps involved in a traditional drainage scheme, TERMINATOR can help decrease construction time and reduce the skill and experience level required to install a quality system.

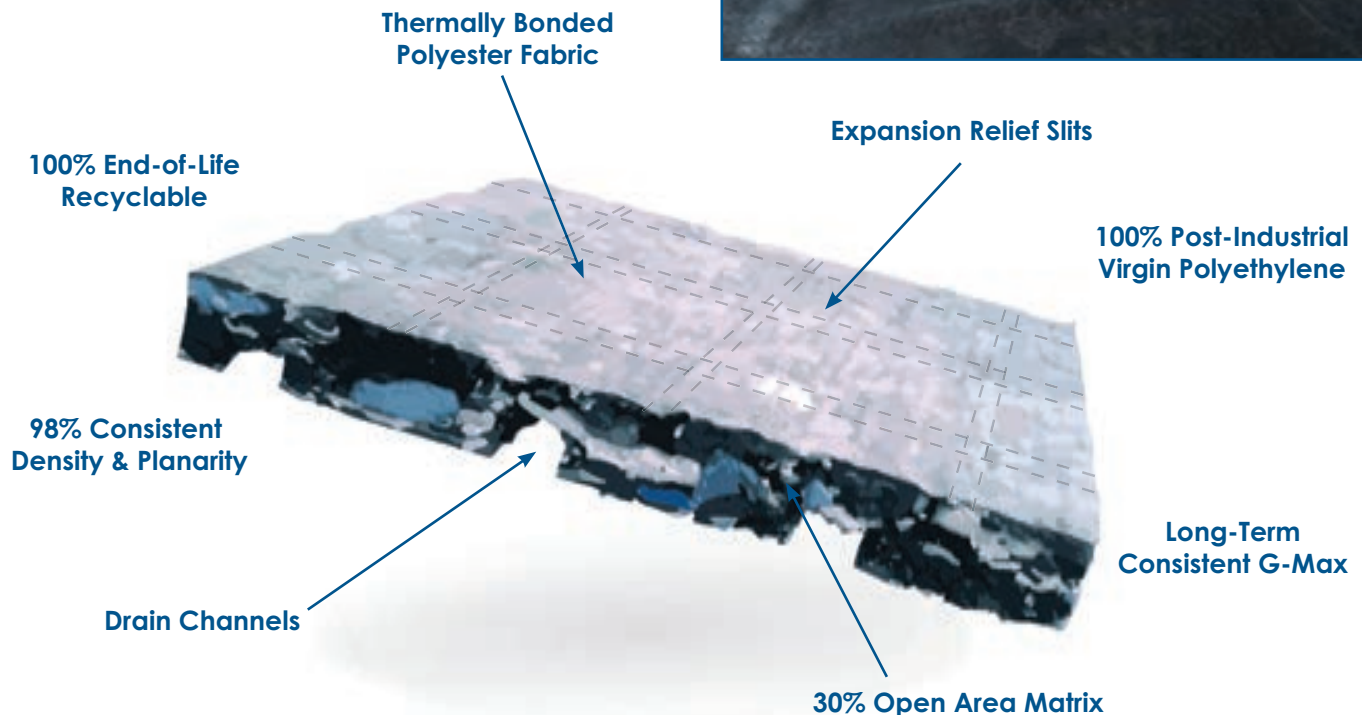
ENVIRONMENTAL IMPACT

Less excavation, soil displacement and imported materials = less environmental disturbance, lower transportation costs and less pollution.



ProPlay23D™

Rainwater is carried by the channels in the ProPlay23D ...



TERMINATOR ProPlay23D, manufactured and warranted by Schmitz Foam Products, provides excellent shock attenuation and positive drainage. Made of post-industrial virgin polyethylene, the ProPlay23D is manufactured under a strict QAQC program where it is factory tested at regular intervals for density, thickness, planarity and G-Max, resulting in incredibly tight tolerances. These features are crucial in providing reliable and uniform shock attenuation (G-Max), excellent biomechanical performance and safety across the entire playing surface.

Shock absorption in infill synthetic turf systems is highly determined by the infill type, composition, size and shape. System age, compaction, migration of infill and poor maintenance can seriously affect the performance of the field. With TERMINATOR, shock attenuation is significantly determined by the pad so age and maintenance have less affect on a ProPlay23D field.

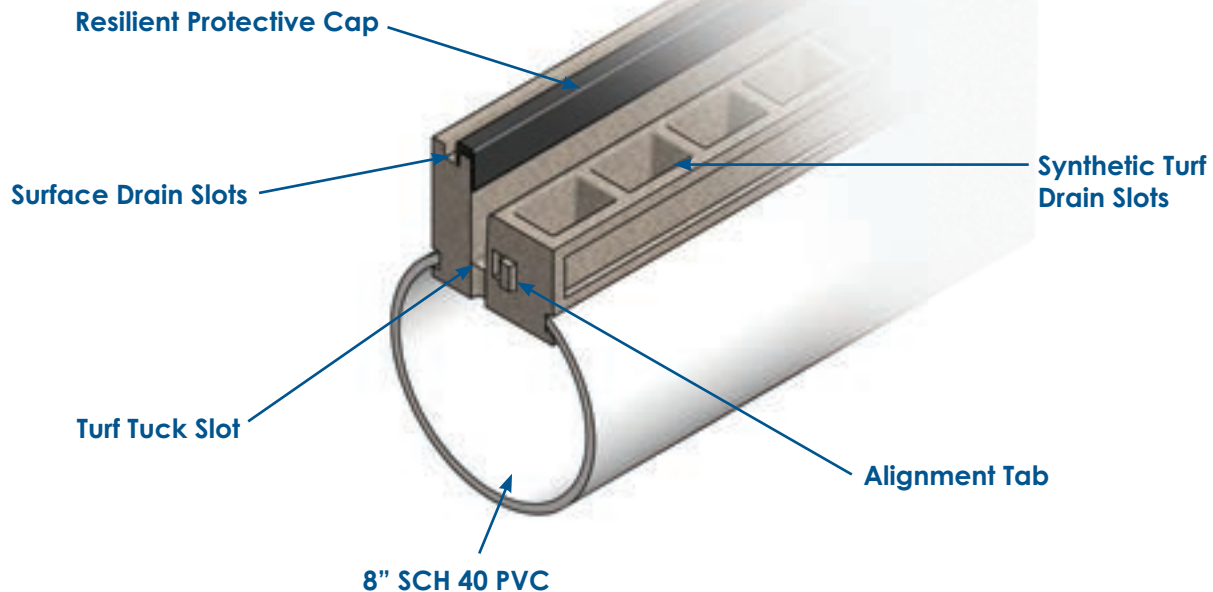
The 10.8 pcf density helps keep the pad in place during installation resisting lift from winds and preventing curling edges. It also reduces the potential for flotation compared with lower density products. The 2.25 M (7.38 ft) x 0.9 M (2.95 ft) die cut interlocking panels eliminate the need for adhesives, tape or stitching. Surface slits provide relief from the stresses of thermal expansion and contraction. The bonded polyester fabric overlay helps control turf displacement during installation and use.

The pad has a 30% open area within the matrix of the closed-cell cross-linked polyethylene. The transverse drainage channels on the underside of the pad provide excellent water transfer to the XT-8 Collector.

The ProPlay23D shock pad has been extensively tested. It exceeds all FIFA G-Max, HIC and drainage requirements. The product carries a **25 year warranty** against compression loss and physical deterioration. As such, it can perform as designed for multiple turf replacement cycles.

XT-8 Collector

... and empties into the XT-8 Collector, which conveys it to the catch basins.



The XT-8 Collector is fashioned after the time-tested SportsEdge XT Slot Drain. The one-meter long polymer concrete riser is factory installed to the 8" Sch 40 PVC pipe.

Features of the product include a slot drain on the track side, large inlets for drainage on the field side and a tuck slot for securing the edge of the synthetic turf. Tongue & groove alignment tabs and split PVC couplers keep sections aligned during installation. Weep holes in the tuck slot will drain any water that may collect there. A 3/8" high resilient cap masks any exposed polymer concrete in the final installation creating a zero elevation

change from track to field and a drainage system that is safe and almost invisible.

Properly configured, the inflow capacity of the XT-8 Collector exceeds most storm intensities dictated by regulatory agencies. Use the runoff parameters for a given site to determine the number of catch basins used in the layout, it's that simple!

The XT-8 Collector will channel all of the storm water that falls on the facility, where it can be directed to infiltration, detention, treatment or discharge from the site.

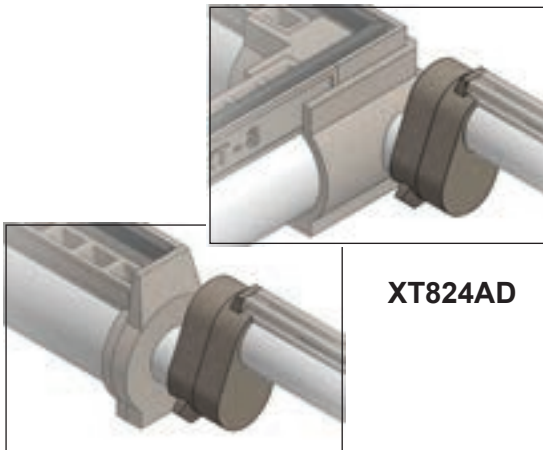
Accessories



90° - CORNER PIECE

The universal corner connector is used when TERMINATOR™ is installed on the full perimeter of a field, typically on stand-alone synthetic turf fields. The corner piece offers visual continuity and provides turf anchoring and drainage right into the corners.

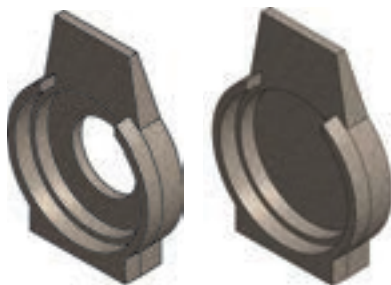
XT890 CN



XT824AD

XT-4 To XT-8 ADAPTER

When TERMINATOR is used on all four sides of a field inside of a track, the adapter connects the XT-4 radius drain to the system. The reversible adapter can be used on the left and right sides. When no drainage structure is required across the D-Area, the adapter is used to connect the XT-8 Collector directly to the XT-4 Track Drain. The offset keeps the track drain slot of both systems aligned.

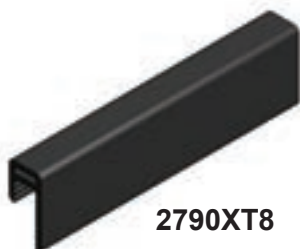


XT8EC4

XT8EC

END CAPS

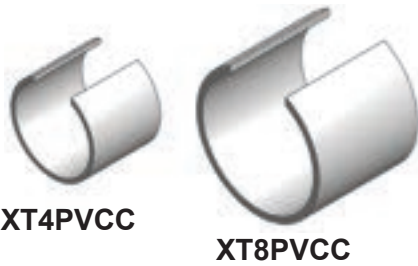
A special adapter plate XT8EC4 connects the XT-4R with the XT-8 Collector creating a continuous 400 meter drainage loop. The XT8EC closing end cap is used to terminate a run.



2790XT8

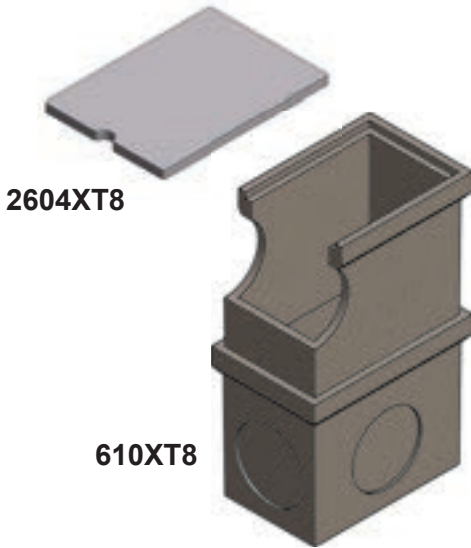
RESILIENT EDGING

The resilient cap covers the only polymer concrete at the surface, enhancing athlete safety. Where a track surface is not present, a cap can be installed on both sides of the drain slot.



SPLIT COUPLERS

These couplers help seal the drain system and align the joints of the XT-4 Track Drain and the XT-8 Collector. They also help prevent movement of the drain during concrete placement.



XT-8 COLLECTOR CATCH BASIN & COVER

The two-stage in-line catch basin can be installed anywhere along the TERMINATOR run. It provides 4 cutouts for an 8" outlet that drains the catch basin to the site collection system. In situations where depths are limited, the single-stage top section can be used alone. It can provide outlet cutouts on 3 sides. Additional risers can extend the basins deeper when necessary.



XT-4 CATCH BASIN & COVER

In-line catch basins with removable covers can be placed anywhere in the XT-4R runs if it is determined that additional outlet capability is required.

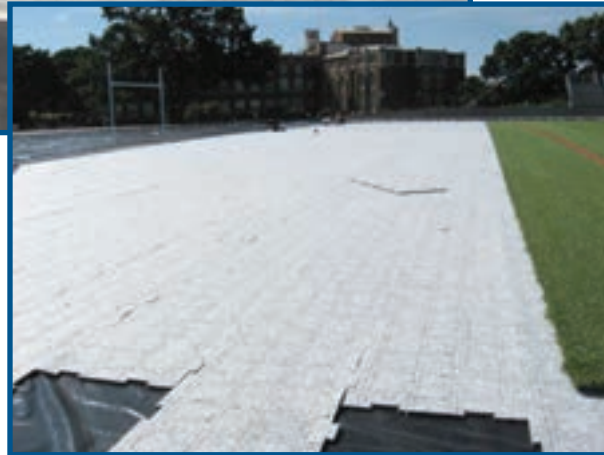


RADIUS TRACK DRAIN

When D-Zones are paved, the XT-4R is installed at the radii. The .47 inch slot is ADA compliant. One meter sections are pre-radiused (R = 36.5 meters) but will work with most typical track radii.

TERMINATOR™

Advanced Surface Drainage System for
Synthetic Turf Field & Running Track Facilities



All Products Available in Canada and Mexico

DISCLAIMER: The customer and the customer's architects, engineers, consultants and other professionals are completely responsible for the selection, installation, and maintenance of any product purchased from ABT, and EXCEPT AS EXPRESSLY PROVIDED IN ABT'S STANDARD WARRANTIES, ABT MAKES NO WARRANTY, EXPRESS OR IMPLIED, AS TO THE SUITABILITY, DESIGN, MERCHANTABILITY, OR FITNESS OF THE PRODUCT FOR CUSTOMER'S APPLICATION. Copies of ABT's standard warranties are available upon request.



SportsEdge®
Safety. Quality. Versatility. Esthetics.

800.334.6057
www.sportsedge.com

ABT, INC.