

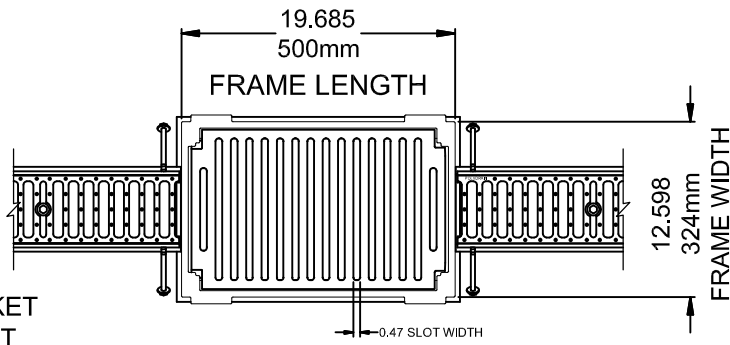
2611 CATCH BASIN

INCLUDES:

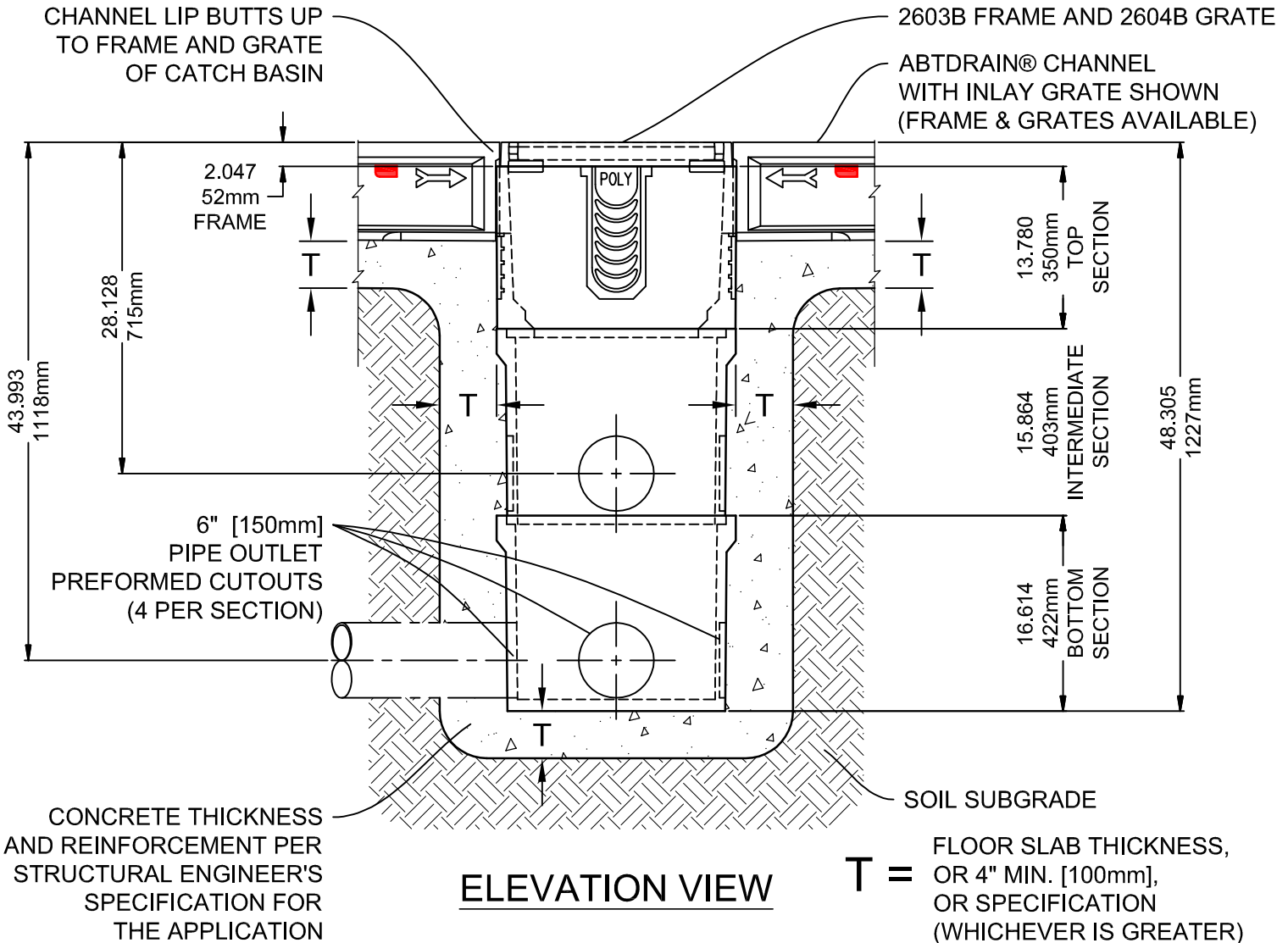
- 2600 - TOP SECTION
- 2601 - INTERMEDIATE SECTION
- 2602 - BOTTOM SECTION
- 2603B - DUCTILE IRON FRAME
- 2604B - DUCTILE IRON GRATE

OPTIONAL:

- 2607 - GALVANIZED TRASH BUCKET
- 2609 - STAINLESS TRASH BUCKET



PLAN VIEW



ELEVATION VIEW

NOTE: YOU ARE NOT LIMITED TO THE OUTLETS SHOWN. OUTLETS AS LARGE AS 12" [300mm] MAY ALSO BE CUT OUT ON ANY OF THE SIDES OF THE 611 CATCH BASIN.

SportsEdge
SAFETY MATTERS
A Division of ABT, Inc.
P.O. Box 837 / 259 Murdock Road
Troutman, NC 28166
(800) 334-6057

PRODUCT DETAIL © 2019 ABT, Inc.
Large Catch Basin
611 (600,601,602,603,604)

PART:

2611

REV: 04
1/18/2021

Proprietary rights of ABT, Inc. are included in the information disclosed herein. The recipient, by accepting this document, agrees that neither this document nor the information disclosed herein nor any part thereof shall be copied, reproduced or transferred to others for manufacturing or for any other purpose except as specifically authorized in writing by ABT, Inc.

DISCLAIMER: The customer and the customer's architects, engineers, consultants and other professionals are completely responsible for the selection, installation, and maintenance of any product purchased from ABT, and EXCEPT AS EXPRESSLY PROVIDED IN ABT'S STANDARD WARRANTIES, ABT MAKES NO WARRANTY, EXPRESS OR IMPLIED, AS TO THE SUITABILITY, DESIGN, MERCHANTABILITY, OR FITNESS OF THE PRODUCT FOR THE CUSTOMER'S APPLICATION. Copies of ABT's standard warranties are available upon request.