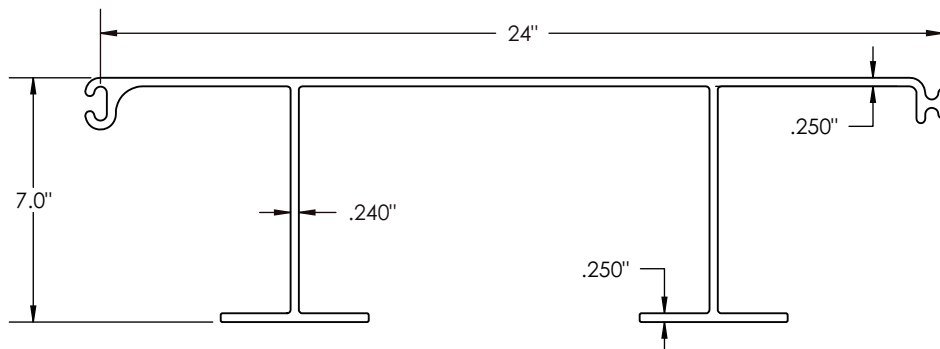




Allowable Moment* (M)	5,467 lb-ft/ft	24.32 kN-m/m
Section Modulus* (Z)	20.5 in <sup>3</sup> /ft	1,102 cm <sup>3</sup> /m
Moment of Inertia (I)	45 in <sup>4</sup> /ft	6,145 cm <sup>4</sup> /m
Impact Strength	13,750 in-lbs/in <sup>2</sup>	2,406 N-mm/mm <sup>2</sup>
Thickness (t)	0.250 in, 0.240 in	6.4 mm, 6.1 mm
Section Depth	7.0 in	178 mm
Section Width	24 in	610 mm
Material	Weatherable Rigid Vinyl	
Standard Colors	Challenger Green, Defender Blue, Eliminator Gray	
Profile/Patented Features	Flat Profile, I-Beam Lock	
Standard Packaging	8 sheets/bundle	

\*Tensile stress limited. Assumes the simply supported bending case (e.g., an anchored wall) where legs are fully and continuously soil supported and the flat face is in bending tension. Due to the asymmetry of the shape, cantilever designs and those with more complex configurations will most likely require a reduction in the sheet pile's design capacity.



Physical properties are defined by ASTM testing standards, The Aluminum Association Design Manual, The Naval Facilities Design Manual DM 7.2, The US Army Corps of Engineers General Design Guide: PVC Sheet Pile and/or standard engineering practice. The values shown are nominal and may vary. The information found in this document is believed to be true and accurate. No warranties of any kind are made as to the suitability of any CMI product for particular applications or the results obtained there from. Crane Materials International is a Crane Building Products® company, ShoreGuard®, The ShoreGuard Seawall System™, C-Loc®, TimberGuard®, GeoGuard®, Dura Dock®, Shore-All®, GatorGates®, GatorDock Elite™, ArmorWare™, ArmorRod™, Box Profile™, UltraComposite™, Elite Wall™, Elite Panel™, Elite Fascia Panel™, Flat Panel™, XCRTM, XCR Technology™, XCR Vinyl™, GatorBridge™, Gator Aluminum™, Gator Sheet Piling™, GatorDock™, I-Beam Lock™, Textured Slate™, Crane Materials International™ logo, CMI Sheet Piling Solutions™, Aqua Terra System™, Endurance™, Endurance CSPTM, Polaris™, Eclipse™, GridSpine™, 21 Poly™, PileClaw™, SheerScape™, SheerScape Retaining Wall Systems™, Sheer Panel™ and CMI Waterfront Solutions™ are trademarks, service marks or trade names of Crane Materials International. United States and International Patent numbers 4,674,921; 4,690,588; 5,292,208; 5,145,287; 6,000,883; 6,033,155; 6,053,666; 0420,154; 6,575,667; 7,059,807; 7,056,066; 7,025,539; 7,393,482; 5,503,503; 5,803,672; 6,231,271; 1,245,061CA; 7,914,237 and other patents pending. © 2014 Crane Materials International. All Rights Reserved.