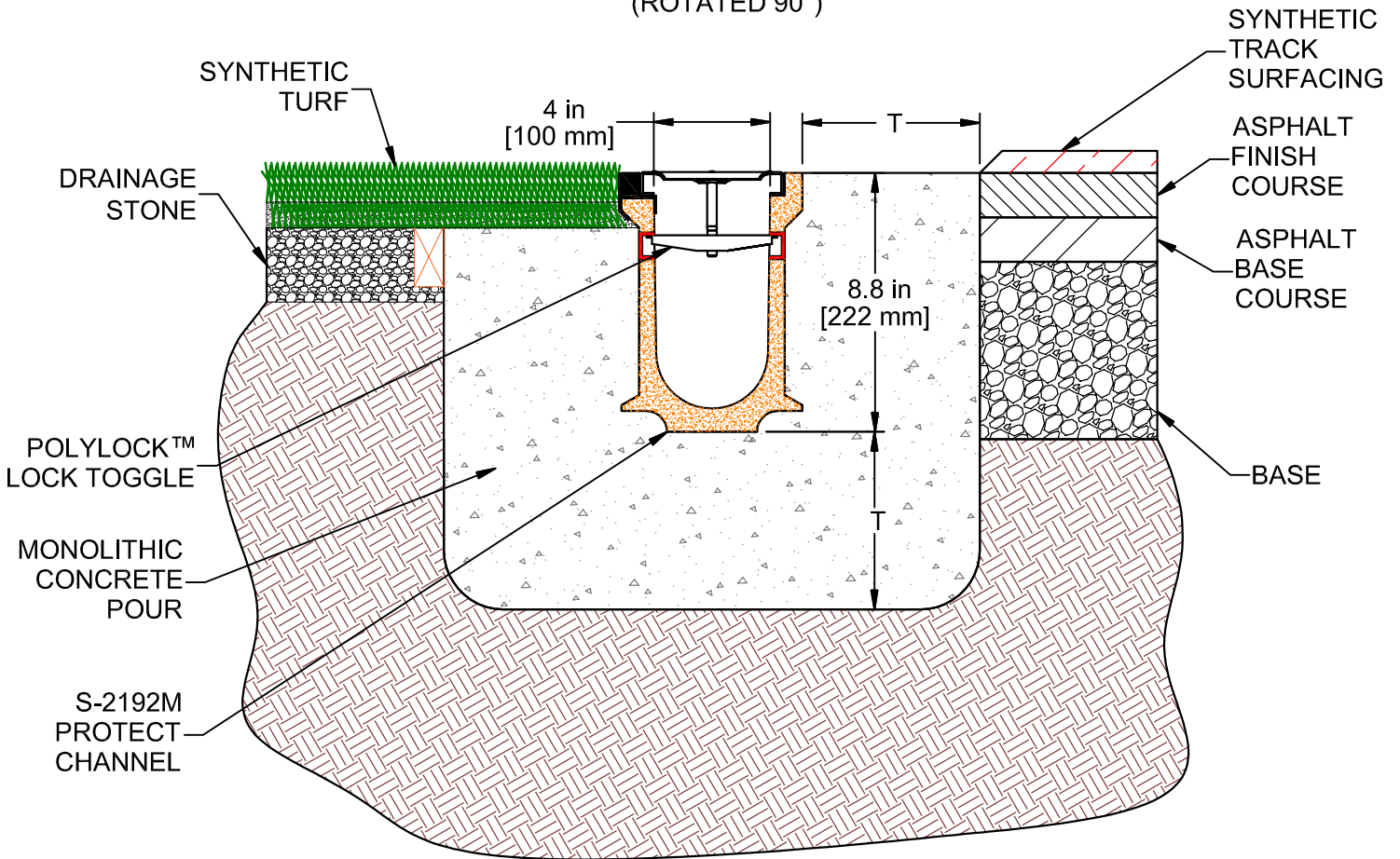
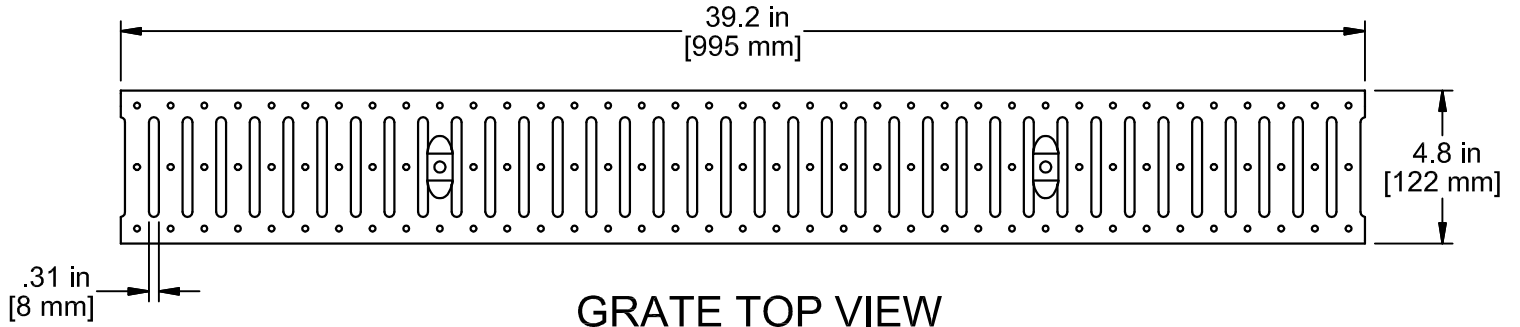


Plan Notes

1. Series Number: ProTect-2420-SYN
2. Grate: # 2420
 - Material: Galv. Steel
 - Open Area: 0.085 SqFt/LFt, 0.026 SqM/LM
 - Load Rating:(150 psi) Residential
 - Made in U.S.A.
3. Concrete thickness and reinforcement per structural engineer's specificaiton for the applicaiton.



END CROSS SECTION VIEW

T = ENCASUREMENT CONCRETE THICKNESS, OR 4" [100 mm] OR SPECIFICATION (WHICHEVER IS GREATER)



A Division of ABT, Inc.
P.O. Box 837 / 259 Murdock Road
Troutman, NC 28166
(800) 334-6057

PRODUCT DETAIL © 2019 ABT, Inc.

**SportsEdge ProTect Channel Drain w/ Protective Edging
Heel Safe/ADA Thermoplastic Grate**

PART:

ProTect-2420-SYN

REV: 00

12/2/2019

Proprietary rights of ABT, Inc. are included in the information disclosed herein. The recipient, by accepting this document, agrees that neither this document nor the information disclosed herein nor any part thereof shall be copied, reproduced or transferred to others for manufacturing or for any other purpose except as specifically authorized in writing by ABT, Inc.

DISCLAIMER: The customer and the customer's architects, engineers, consultants and other professionals are completely responsible for the selection, installation, and maintenance of any product purchased from ABT, and EXCEPT AS EXPRESSLY PROVIDED IN ABT'S STANDARD WARRANTIES, ABT MAKES NO WARRANTY, EXPRESS OR IMPLIED, AS TO THE SUITABILITY, DESIGN, MERCHANTABILITY, OR FITNESS OF THE PRODUCT FOR THE CUSTOMER'S APPLICATION. Copies of ABT's standard warranties are available upon request.