

Track Equipment

THROWING CIRCLES & TOE BOARDS • TAKE-OFF BOARDS • VAULT BOXES • JUMP PIT COVERS
FLEXEDGE LONG/TRIPLE JUMP PITS • DISCUS & SHOTPUT THROWING CAGES



TRACK EQUIPMENT

SportsEdge manufactures all of the essential aluminum imbedded equipment for track events; circles, take off and toe boards and vault boxes. We also make NCAA, IAAF and NFHS approved cages and rubber track curbing. But our innovative FlexEdge Long/Triple Jump Pit Systems are another industry first. The FlexEdge Pit collection constitutes the safest, most attractive, easiest to install and most affordable solution. That says it all!

THROWING CIRCLES & TOEBOARDS

SportsEdge **Throwing Circles** for discus and shot put/hammer events are all IAAF, NCAA & NFHS regulation compliant. All circles are recessed type. The discus circles create an 8.2' ring and the shot/hammer circles create a 7.0' ring. All are made of aluminum and come in four bolt-together quarter sections for easy shipment. Both sizes are available in three models; a simple circle, a circle with cross bracing and a cross braced circle with a 10' x 10' square form that also creates the pad.



Shotput Toeboards are available in mill finish aluminum or white recycled rubber. They come in two heights; 3.5" for recessed pads and 4.0" for level pads. All of them bolt down to an existing concrete pad.



THROWING CIRCLES & TOEBOARDS

TAKE-OFF BOARDS

Take-Off Boards for the long/triple jump events come in various sizes and types depending on the application. High school (8") and college (16") systems come with a replaceable wood or synthetic board insert. All are made from a high grade weather resistant aluminum and use stainless steel fasteners. The leveling base is infinitely adjustable so a perfectly level installation can be achieved. Removal/adjustment tools and blanking lids complete the packages.

The NCAA Take-off system uses an aluminum support tray and a 14-gauge powder coated steel leveling base. It



comes with a marine grade 8" wide plywood take-off board that is white and a 4" wide foul board that is orange. The IAAF version of this system comes with the specific type of foul board required by that organization.

TAKE-OFF BOARDS

VAULT BOXES

SportsEdge offers regulation **Pole Vault Boxes** in either aluminum or stainless steel. Reinforced backstops prolong the

life of the box. Rounded edges prevent poles from being damaged by the box. These boxes are good for the lifetime of the facility.

Box covers in either material are available as flush mount or with a recess that can be filled with track material. The Box Plug fills the void space under the cover to minimize water accumulation inside the box when not in use.



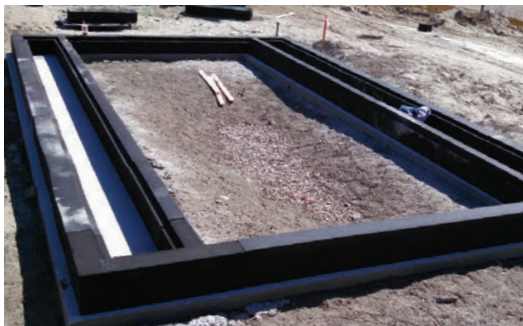
VAULT BOXES

FLEXEDGE LONG/TRIPLE JUMP PITS

The latest game-changing innovation from SportsEdge is the **FlexEdge™ Long/ Triple Jump Pit System**. No longer is a designer or owner limited to unsafe concrete curbs or complex and expensive aluminum forms. Made completely from recycled rubber and urethane binders, FlexEdge pits are attractive, affordable, easy to install and the safest solution for a potentially dangerous track event.

Whether the plan calls for a simple border curb or a more complex system with sand catchers and pit covers, SportsEdge has the answer. The durable pit forming sections come as a kit including pre-formed corners. No field cutting or concrete forming is required. The pieces pin or glue directly to the sub grade and are connected to each other with a high-strength industrial adhesive.

The premier pit package includes rubber sand catchers with fiberglass grates and rubber cover mats. SportsEdge also



manufactures the most user friendly pit cover set. Sections are proprietary aluminum extrusions that, when filled with track material, are lighter and more easily handled and moved than other cover systems available today.

All FlexEdge Jump Pit Kits are NFHS size compliant.

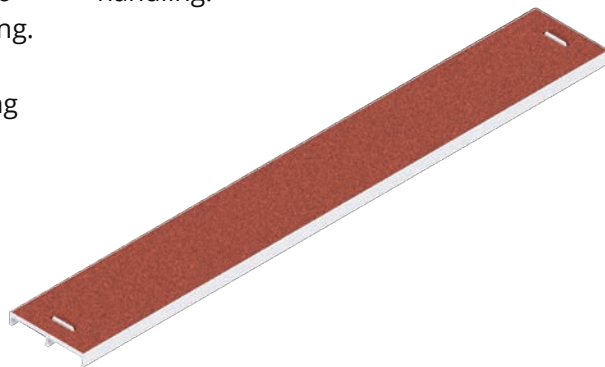


FLEXEDGE LONG/TRIPLE JUMP PITS

JUMP PIT COVERS

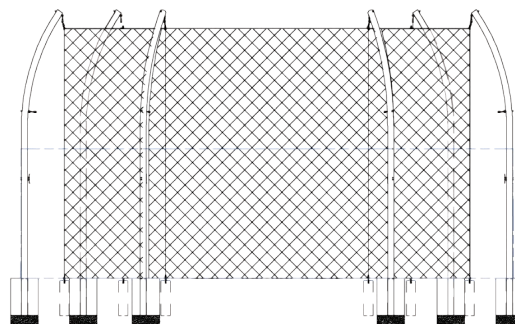
Aluminum cover sets are made to order, so not only are they available for all FlexEdge pits, they can be made to fit your existing pit. These covers are constructed from 0.25" thick extruded aluminum panels that are recessed to receive 12mm synthetic track surfacing. One drawback of the typical rubber filled cover panel is the weight. Setting and removing covers can be difficult.

With this in mind, we made our covers 50% narrower than other covers on the market, reducing the finished weight of a filled cover by as much as 90 lbs. Recessed handles are installed for easy handling.



DISCUS & SHOTPUT THROWING CAGES

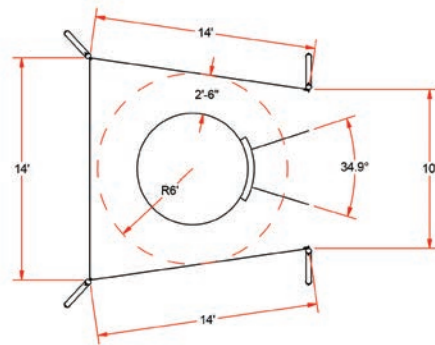
SportsEdge offers **Discus Cages** in 6, 7 or 8 pole layouts. All cages are made from 4" diameter aluminum poles that are bent to provide a 2' offset and are available in either mill finish or black powder coating. 4" Sch. 40 aluminum ground sleeves are part of the package. Each cage system includes all of the required hardware and cables for individual pulley hoists. Netting is #42 mesh nylon. An optional 7' high perimeter barrier net that mounts to the outside of the poles is also available. SportsEdge discus cages meet NCAA, IAAF and NFHS guidelines.





DISCUS & SHOTPUT THROWING CAGES

The SportsEdge **Shot Cage** is a 4 pole system that provides a regulation throwing sector of 34.9 feet. As with discus cages, they are made from 4" diameter aluminum poles with choice of finish. 4" Sch. 40 aluminum ground sleeves and include all necessary hardware and netting are included and meet the same specification as the discus components. The SportsEdge high school shot cage meets NFHS requirements.



VISIT WWW.SPORTSEdge.COM

We are manufacturers of stormwater management and athletic field construction equipment for outdoor sports construction. If you are designing an athletic facility, our team can supply you with all of the supporting literature, details and specifications you need.

Visit www.sportsedge.com for styles, sizes, dimensions, cross sections, contact info and more for all of our products, all in downloadable format.



Stormwater Management



Track Equipment



Field Equipment



FlexEdge™ Rubber Borders



Baseball Products



All products available in Canada and Mexico

SportsEdge®

A division of ABT, Inc.
PO Box 837
259 Murdock Road
Troutman, NC 28166
www.sportsedge.com
800.334.6057

DISCLAIMER: The customer and the customer's architects, engineers, consultants and other professionals are completely responsible for the selection, installation, and maintenance of any product purchased from ABT, and EXCEPT AS EXPRESSLY PROVIDED IN ABT'S STANDARD WARRANTIES, ABT MAKES NO WARRANTY, EXPRESS OR IMPLIED, AS TO THE SUITABILITY, DESIGN, MERCHANTABILITY, OR FITNESS OF THE PRODUCT FOR CUSTOMER'S APPLICATION. Copies of ABT's standard warranties are available upon request.

12/11/2024