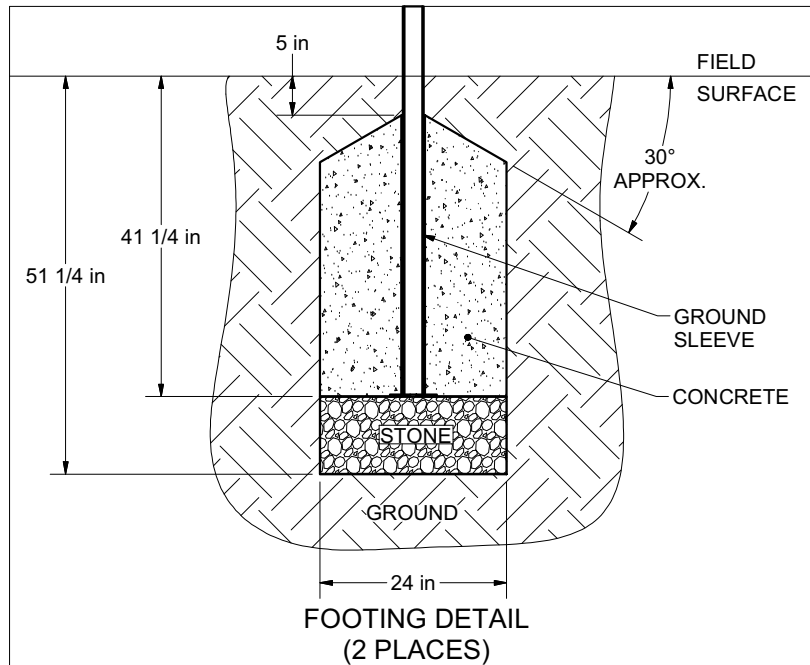
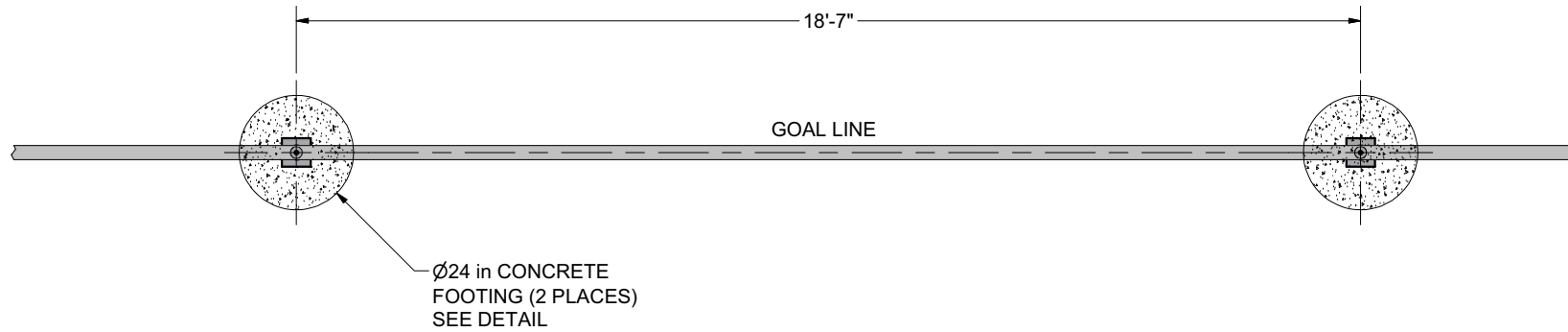


TOP VIEW



NOTES:

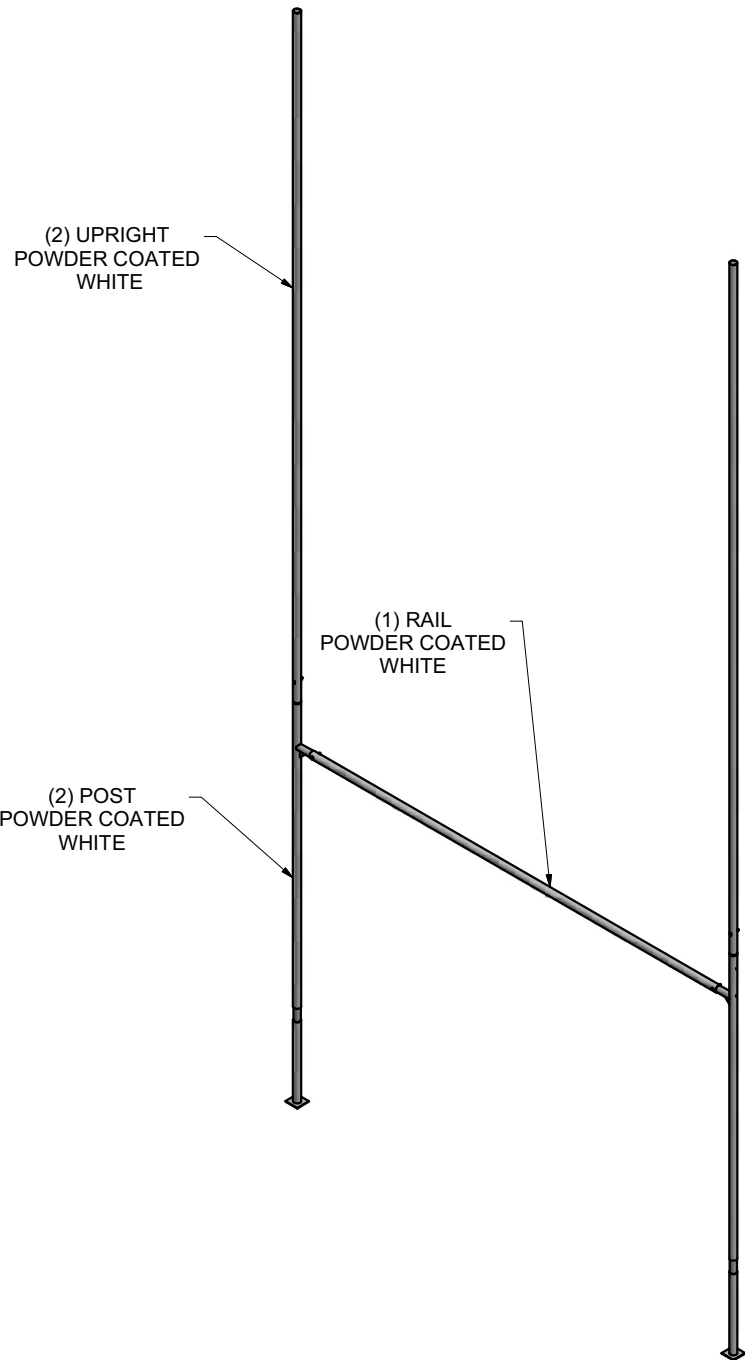
1) DIMENSIONS ARE FOR PLANNING PURPOSES. INSTALLATION MUST BE IN ACCORDANCE WITH INSTALLATION INSTRUCTIONS.

MATERIAL REQUIRED, BUT **NOT** SUPPLIED

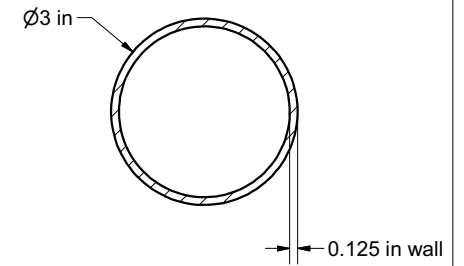
0.6 cubic yard - CONCRETE
 0.2 cubic yard - CLEAN STONE (1/4" - 3/4")
ABOVE AMOUNTS ARE PER UNIT INSTALLATION

 <p>THIRD ANGLE PROJECTION</p>	<p>KWIKGOAL® Rugby Goals as Supplied by: SportsEdge® 800-334-6057 www.sportsedge.com</p>	
	<p>DIMENSIONS ARE IN INCHES UNLESS OTHERWISE SPECIFIED</p>	<p>Approved By:</p> <p>Date:</p>
<p>This item is the exclusive property of KWIK GOAL LTD. Reproduction or duplication without the express written consent of KWIK GOAL LTD. is strictly forbidden.</p>	<p>Drawn By: CSpeck</p> <p>Date: 8/24/2012</p> <p>Sheet: 2 of 4</p> <p>Revision #:</p> <p>Cad File: 2J102.idw</p>	<p>Desc:</p> <p>9.8' (3M) H X 18.4' (5.6M) W Rugby Goal</p>

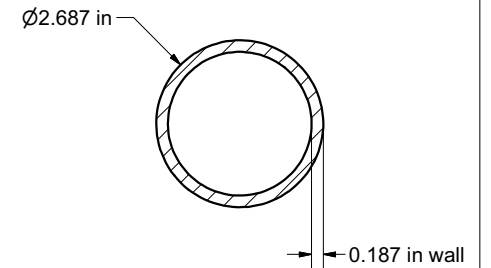
Finish Info.



MATERIAL DETAILS



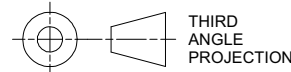
GOAL FRAME AND
GROUND SLEEVE
MATERIAL - ALUMINUM



POST SLEEVES
MATERIAL - ALUMINUM



Finish Info.



DIMENSIONS ARE IN INCHES
UNLESS OTHERWISE SPECIFIED

This item is the **exclusive**
property of **KWIK GOAL LTD.**
Reproduction or duplication
without the express written
consent of **KWIK GOAL LTD.**
is **strictly forbidden.**

KWIKGOAL® Rugby Goals as Supplied by:
SportsEdge® 800-334-6057 www.sportsedge.com

Approved By:

Date:

Drawn By: CSpeck

Date: 8/24/2012

Sheet: 3 of 4

Revision #:

Cad File: 2J102.idw

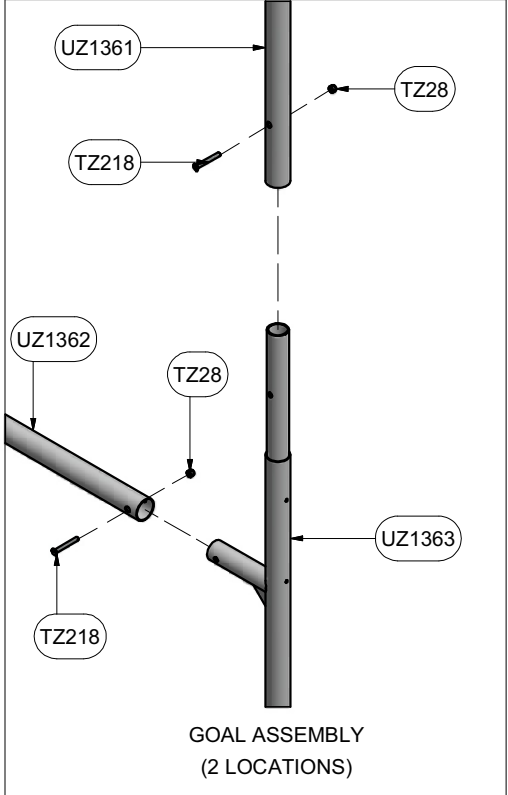
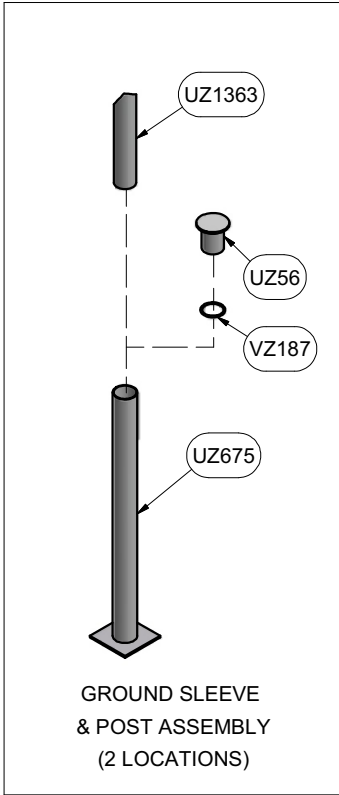
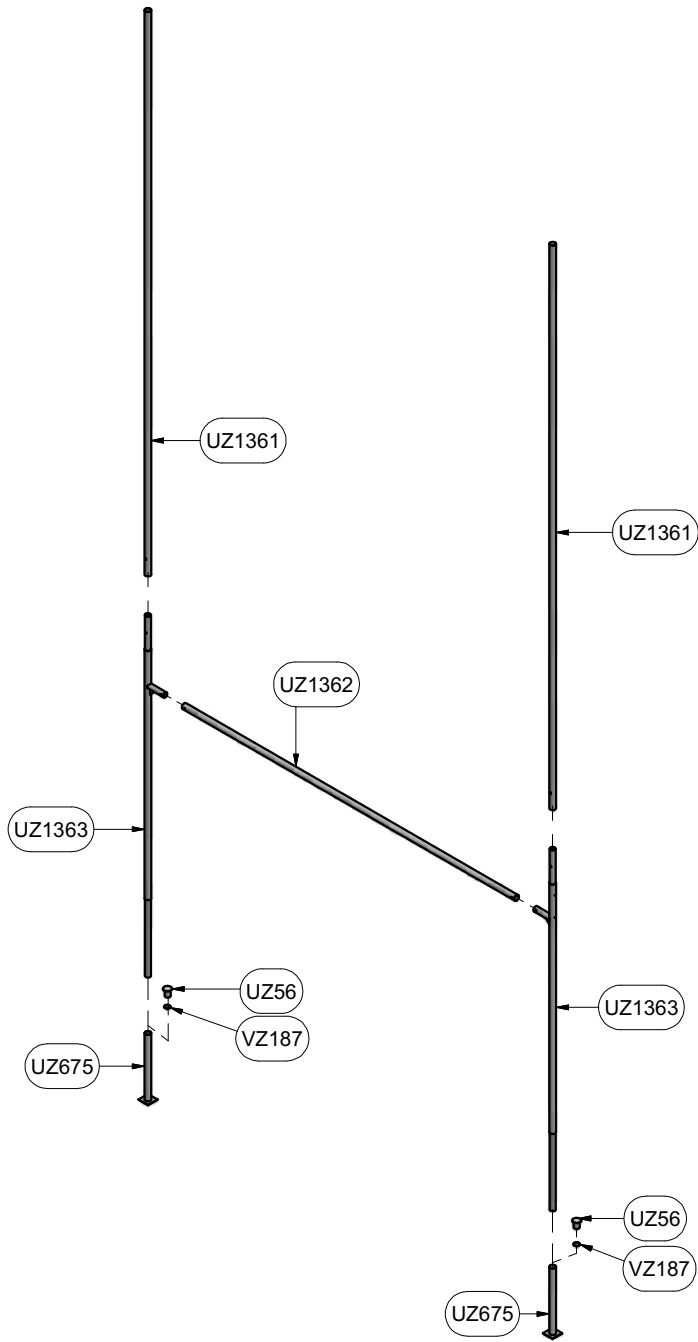
Part #:

SE2J102

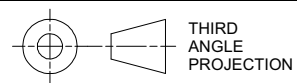
Desc:

9.8' (3M) H X 18.4' (5.6M) W
Rugby Goal

Parts List		
Part #	Qty	Description
UZ1362	1	RAIL
UZ56	2	GROUND SLEEVE CAP
UZ1361	2	UPRIGHT
UZ1363	2	POST
UZ675	2	GROUND SLEEVE
VZ187	2	Rubber Gasket
TZ28	4	1/2-13 Lock Nut
TZ218	4	1/2-13 x 4 Slotted MS



Finish Info.



DIMENSIONS ARE IN INCHES UNLESS OTHERWISE SPECIFIED

This item is the **exclusive** property of **KWIK GOAL LTD.** Reproduction or duplication **without** the express written consent of **KWIK GOAL LTD.** is **strictly forbidden.**

KWIKGOAL® Rugby Goals as Supplied by:
SportsEdge® 800-334-6057 www.sportsedge.com

Approved By:
 Date:
 Drawn By: CSpeck
 Date: 8/24/2012
 Sheet: 4 of 4
 Revision #:
 Cad File: 2J102.idw

Part #:
SE2J102
 Desc:
 9.8' (3M) H X 18.4' (5.6M) W
 Rugby Goal