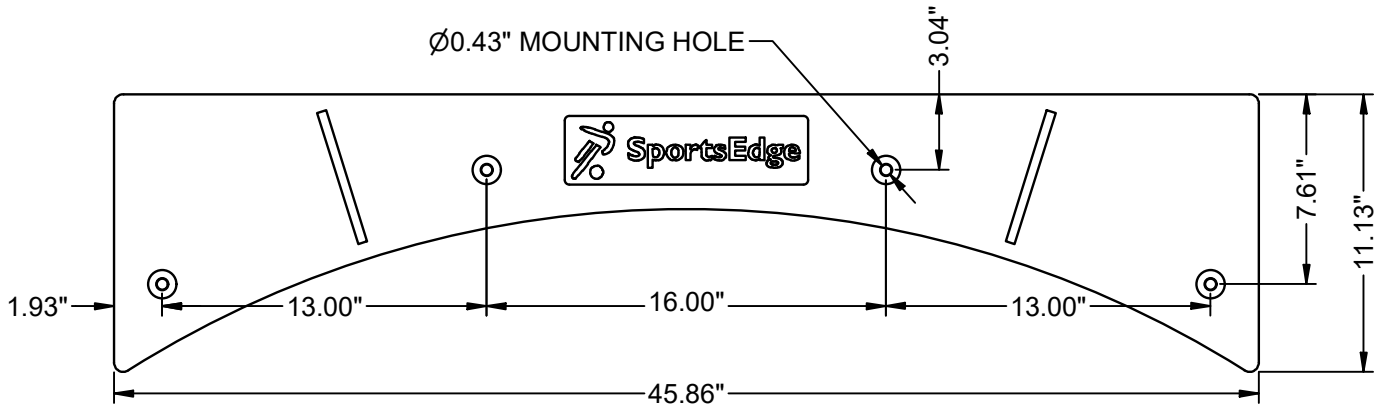


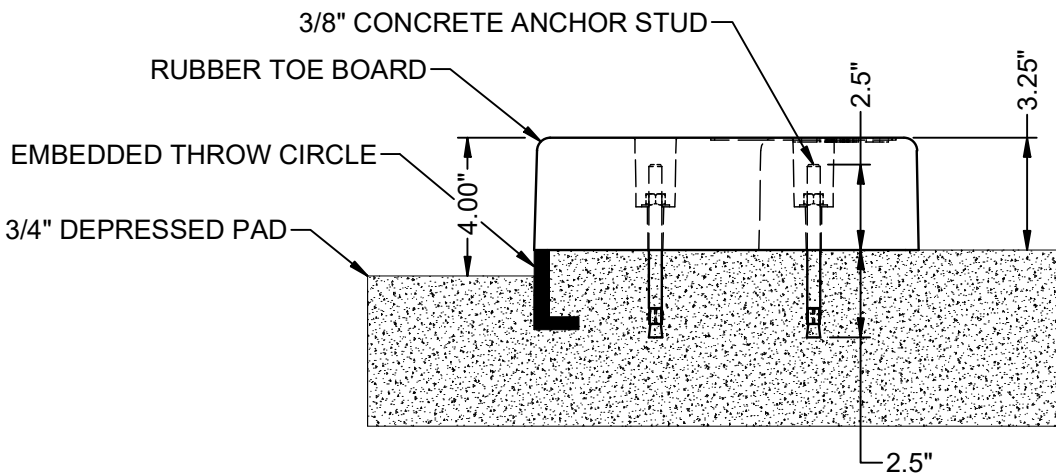
SE363R RECYCLED RUBBER TOEBOARD, DEPRESSED PAD

Specifications:

- Designed to be used with a 3/4" depressed throwing surface
- Fabricated from recycled rubber
- Meets all NFSHSA, NCAA, and IAAF requirements
- Durable UV-resistant white finish



TOP VIEW



END VIEW

SHEET 1 OF 2



A Division of ABT, Inc.
 P.O. Box 837 / 259 Murdock Road
 Troutman, NC 28166
 (800) 334-6057

PRODUCT DETAIL © 2019 ABT, Inc.
**RECYCLED RUBBER TOE BOARD
 DEPRESSED PAD**

PART:

SE363R

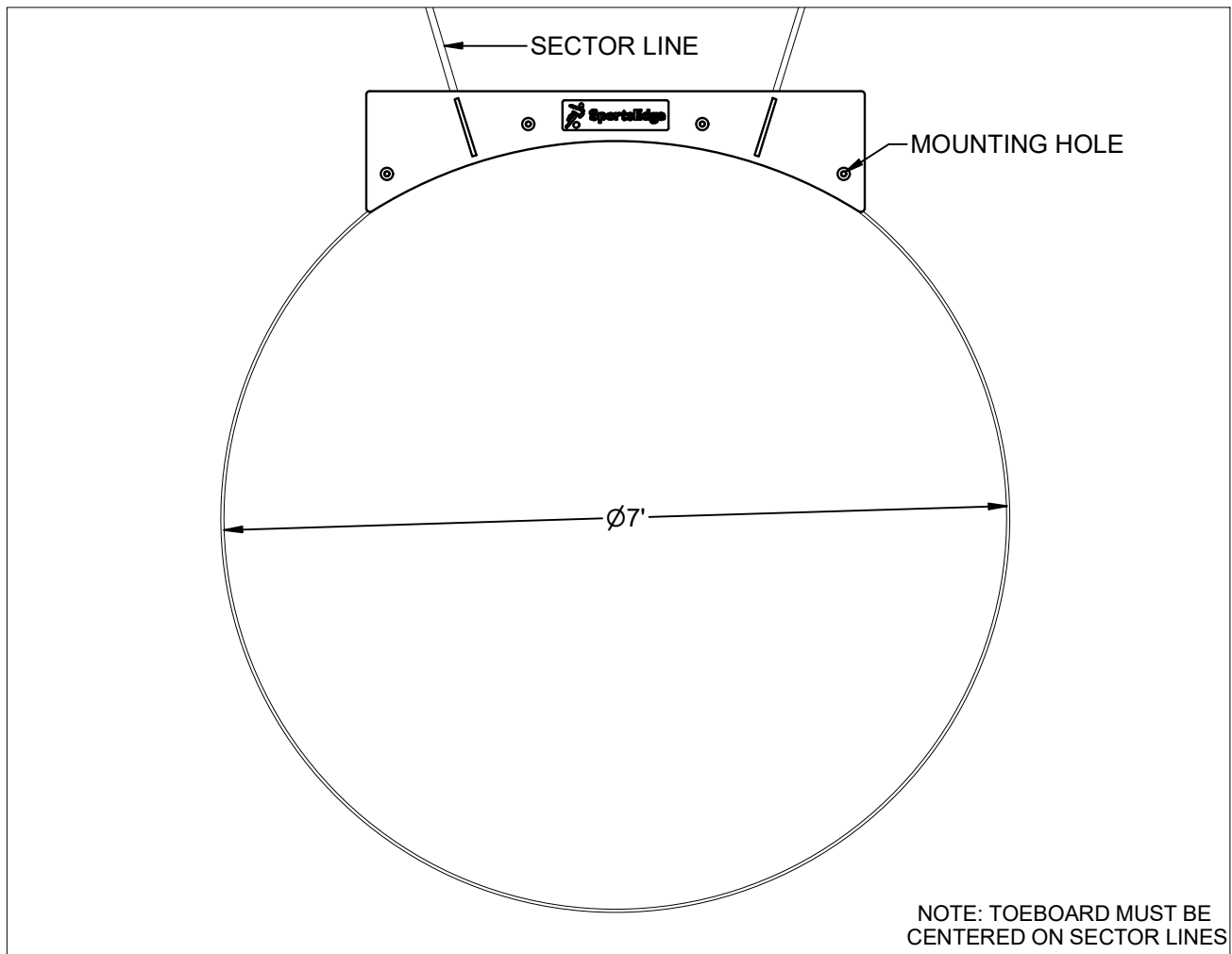
REV: 00
 7/30/2019

Proprietary rights of ABT, Inc. are included in the information disclosed herein. The recipient, by accepting this document, agrees that neither this document nor the information disclosed herein nor any part thereof shall be copied, reproduced or transferred to others for manufacturing or for any other purpose except as specifically authorized in writing by ABT, Inc.

DISCLAIMER: The customer and the customer's architects, engineers, consultants and other professionals are completely responsible for the selection, installation, and maintenance of any product purchased from ABT, and EXCEPT AS EXPRESSLY PROVIDED IN ABT'S STANDARD WARRANTIES, ABT MAKES NO WARRANTY, EXPRESS OR IMPLIED, AS TO THE SUITABILITY, DESIGN, MERCHANTABILITY, OR FITNESS OF THE PRODUCT FOR THE CUSTOMER'S APPLICATION. Copies of ABT's standard warranties are available upon request.

INSTALLATION INSTRUCTIONS

1. The SE363R toeboard is mounted to a concrete pad with a 3/4" (19mm) depressed throwing surface.
2. Using the toeboard as a template, mark the center of the holes to be drilled for the anchor studs. Be sure the toeboard is properly positioned with the inside curved edge of the toeboard even with the inner edge of the ring. The toeboard must also be centered on the sector lines.
3. Drill the holes for the anchor studs using a $\varnothing 3/8$ " masonry bit. Drive anchor into hole, taking care not to damage threads, until approximately 2 1/2" of the stud remains above the concrete. Mount toeboard to anchors using the included 3/8" nuts and washers.



NOTICE: All installations should be done by experienced contractors and in accord with all applicable codes, laws, and regulations. Suggested installation instructions herein are illustrative only and should be adapted to suit local requirements. SportsEdge is not responsible for the manner in which these products are installed.