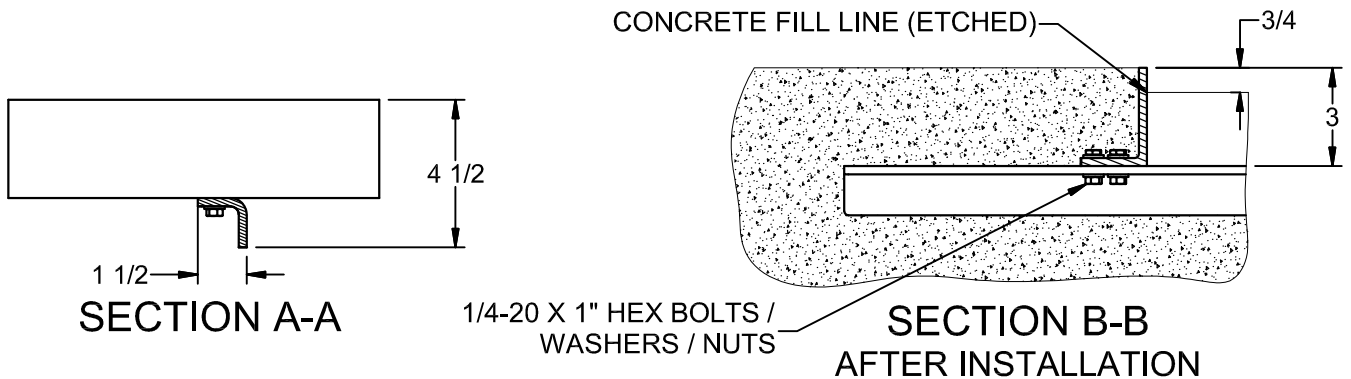
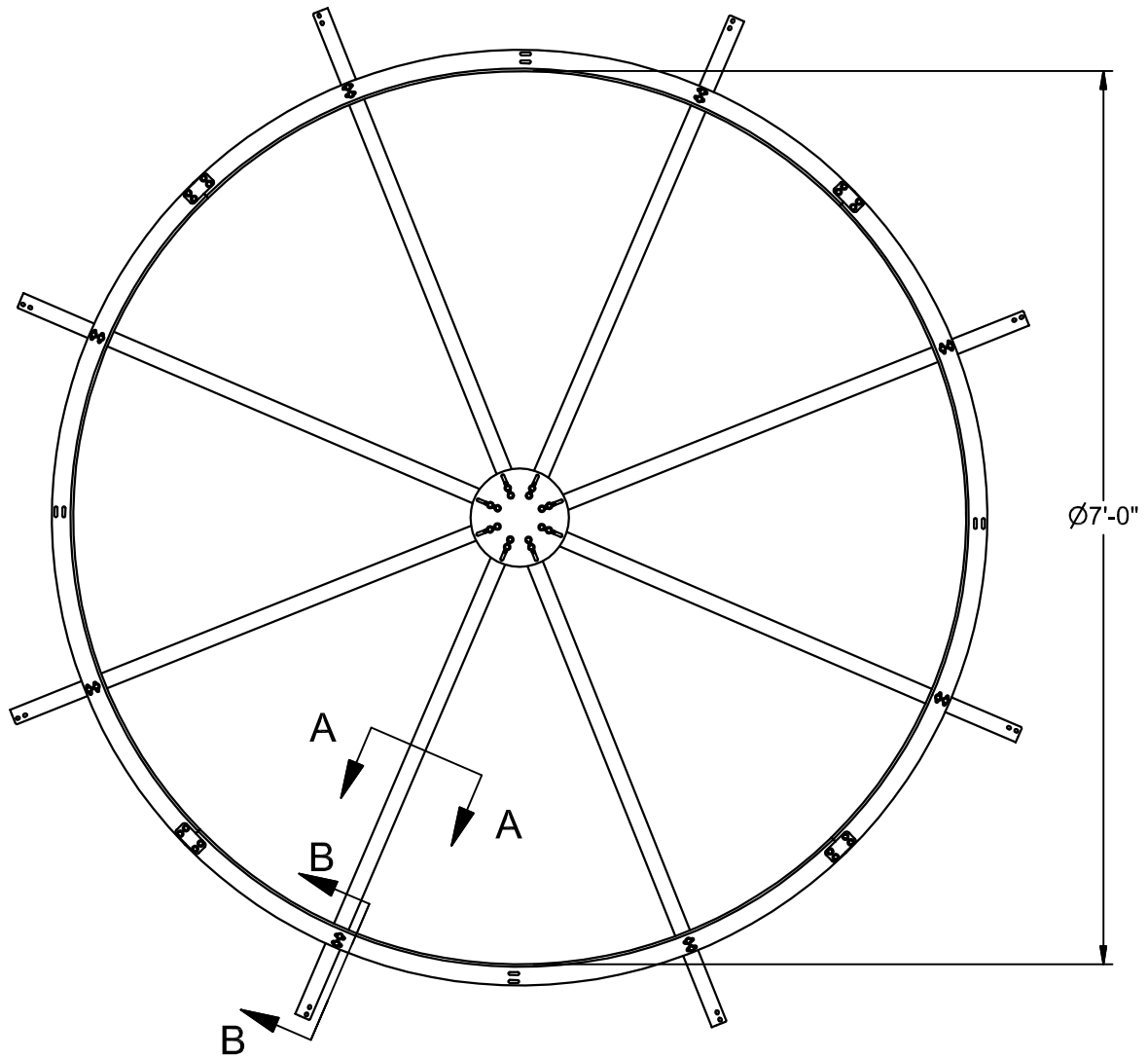


SPECIFICATIONS:

- Designed to be incorporated into concrete to form a 3/4" deep depressed pad.
- Consists of four (4) quarter-sections fabricated from 2" x 3" x 1/4" Aluminum 5052-H32 and eight (8) reinforcement angles fabricated from Aluminum 5052-H32.
- Meets NFSHSA, NCAA, and IAAF specifications.



SportsEdge
 A Division of ABT, Inc.
 P.O. Box 837 / 259 Murdock Road
 Troutman, NC 28166
 (800) 334-6057

FABRICATION DRAWING © 2021 ABT, Inc.
**ALUMINUM SHOT PUT CIRCLE W/ SE377 BRACE KIT
 FOR 3/4" DEPRESSED PAD**

PART: **SE377S** REV: 00
 10/15/2021

Proprietary rights of ABT, Inc. are included in the information disclosed herein. The recipient, by accepting this document, agrees that neither this document nor the information disclosed herein nor any part thereof shall be copied, reproduced or transferred to others for manufacturing or for any other purpose except as specifically authorized in writing by ABT, Inc.

DISCLAIMER: The customer and the customer's architects, engineers, consultants and other professionals are completely responsible for the selection, installation, and maintenance of any product purchased from ABT, and EXCEPT AS EXPRESSLY PROVIDED IN ABT'S STANDARD WARRANTIES, ABT MAKES NO WARRANTY, EXPRESS OR IMPLIED, AS TO THE SUITABILITY, DESIGN, MERCHANTABILITY, OR FITNESS OF THE PRODUCT FOR THE CUSTOMER'S APPLICATION. Copies of ABT's standard warranties are available upon request.