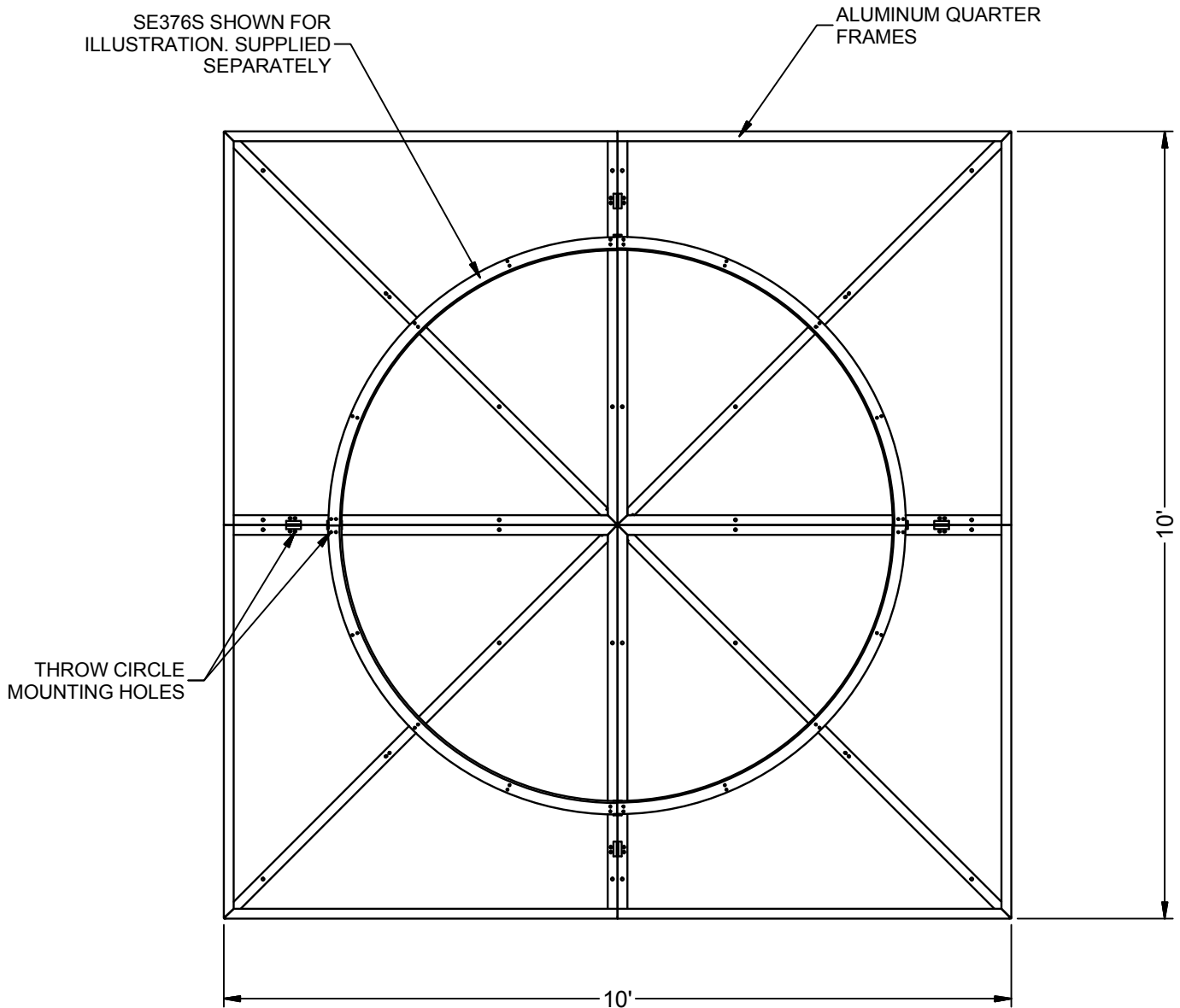


SE378S ALUMINUM FRAME FOR THROW CIRCLE

SPECIFICATIONS

- Designed to be incorporated into concrete to form a 3/4" deep depressed pad.
- Designed to support a SE376S throw circle.
- Consists of four separate frames fabricated from Aluminum 5052-H32 to be assembled on site.
- Meets NFSHSA, NCAA, and IAAF specifications



PRODUCT DETAIL © 2018 ABT, Inc.



A Division of ABT, Inc.
 P.O. Box 837 / 259 Murdock Road
 Troutman, NC 28166
 (800) 334-6057

SE378S ALUMINUM FRAME FOR THROW CIRCLE

PART:

SE378S

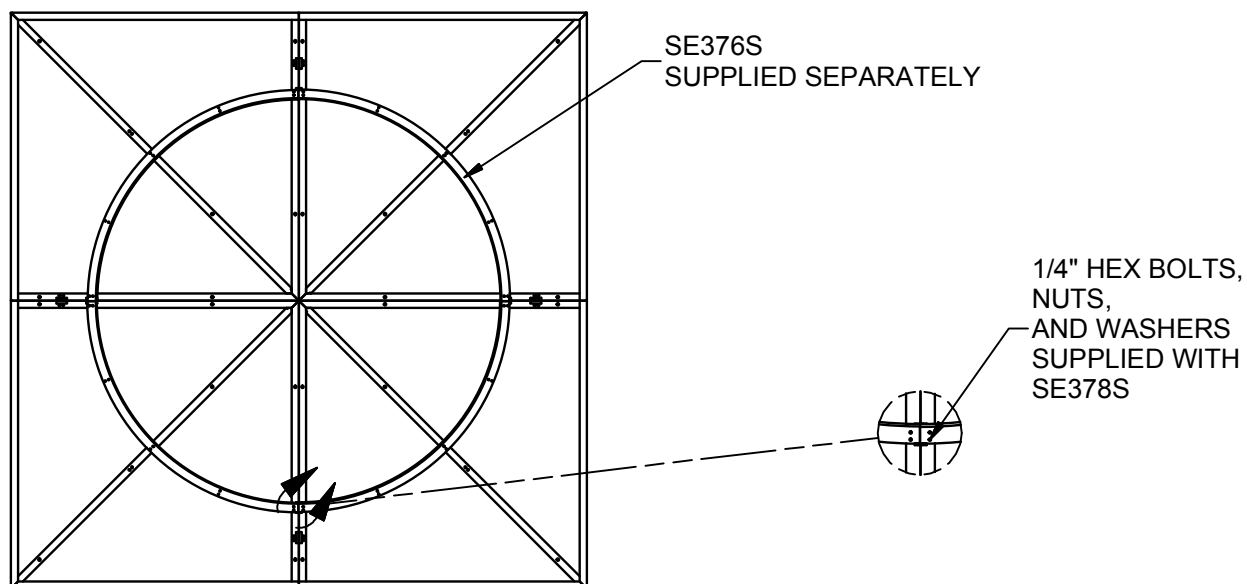
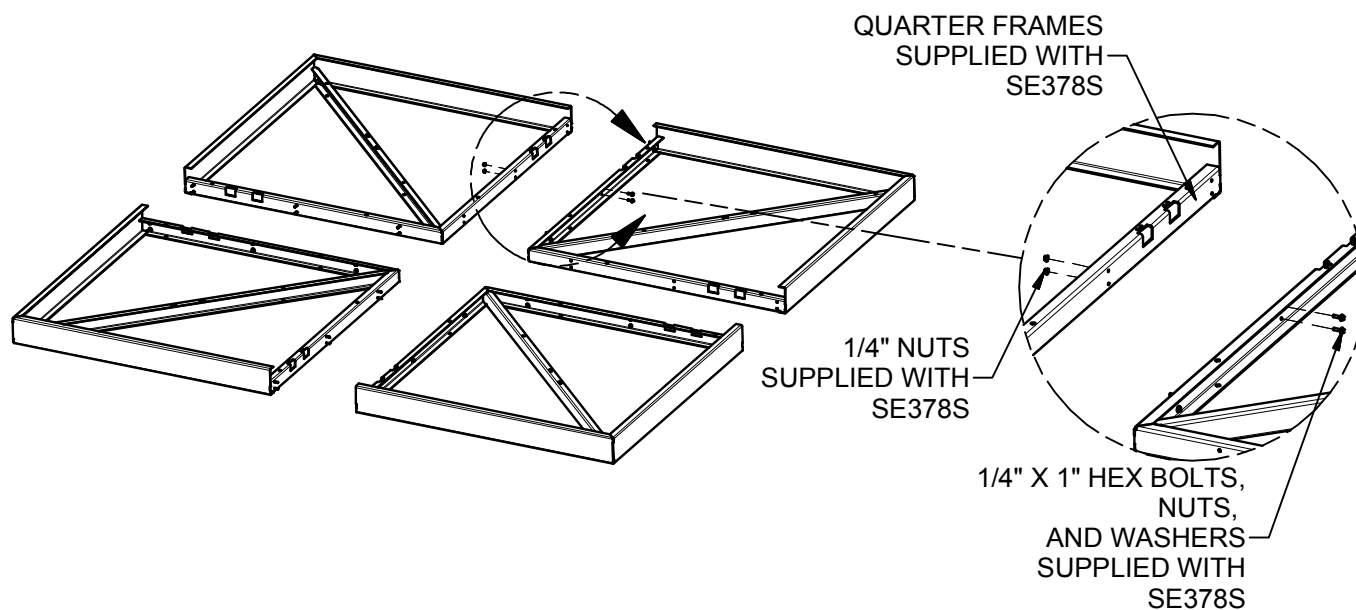
REV: 00
 6/20/2018

Proprietary rights of ABT, Inc. are included in the information disclosed herein. The recipient, by accepting this document, agrees that neither this document nor the information disclosed herein nor any part thereof shall be copied, reproduced or transferred to others for manufacturing or for any other purpose except as specifically authorized in writing by ABT, Inc.

DISCLAIMER: The customer and the customer's architects, engineers, consultants and other professionals are completely responsible for the selection, installation, and maintenance of any product purchased from ABT, and EXCEPT AS EXPRESSLY PROVIDED IN ABT'S STANDARD WARRANTIES, ABT MAKES NO WARRANTY, EXPRESS OR IMPLIED, AS TO THE SUITABILITY, DESIGN, MERCHANTABILITY, OR FITNESS OF THE PRODUCT FOR THE CUSTOMER'S APPLICATION. Copies of ABT's standard warranties are available upon request.

INSTRUCTIONS FOR ASSEMBLY

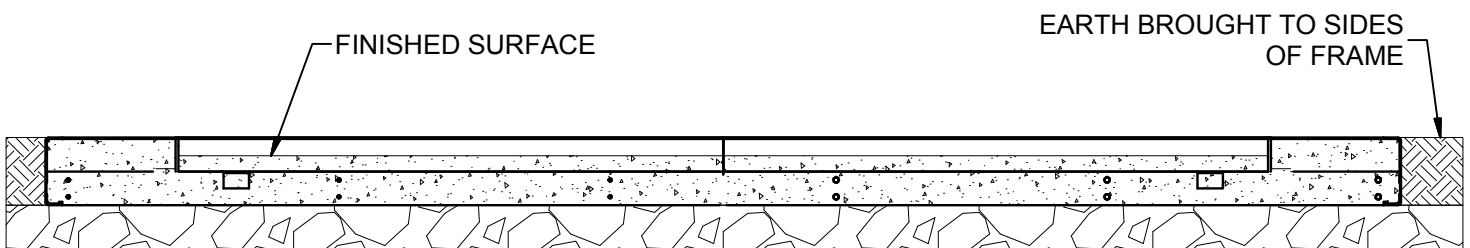
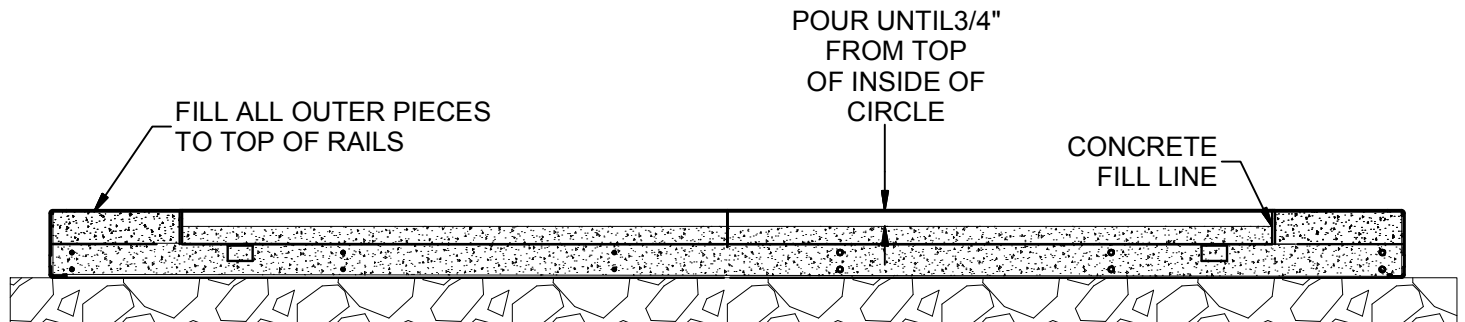
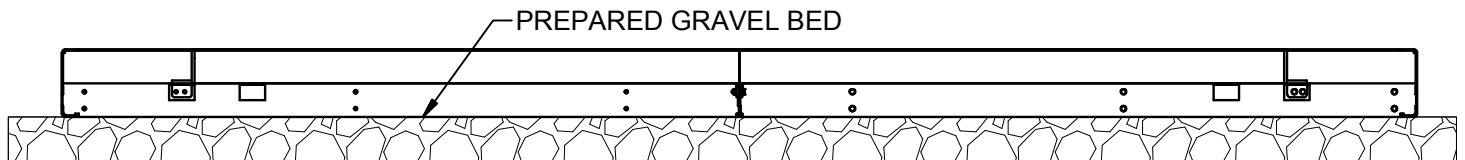
1. Arrange the quarter frames so that the mounting holes for the throw circles are on the outside.
2. Bolt all connections between the quadrants together using the supplied hardware.
3. Attach the SE376D throwcircle by placing it on top of the four quadrants, aligning it with the correct mounting holes, and securing the connections with the supplied hardware.



NOTICE: All installations should be done by experienced contractors and in accord with all applicable codes, laws and regulations. Suggested installation instructions herein are illustrative only and should be adapted to suit local requirements. SportsEdge is not responsible for the manner in which these products are installed.

INSTRUCTIONS FOR SETTING CIRCLE AND POURING PAD

1. Lay frame with attached throw circle flat on prepared gravel bed.
2. Align frame and center properly with field and sector lines according to official rules.
3. Fill all sections of the frame that are outside the circle with concrete up to the top of the frame.
4. Inside the circle, pour concrete until level with fill line, which should be $\frac{3}{4}$ " from top edge of the circle. This creates the depressed throw circle.



NOTE: FOR ARTIFICIAL TRACK SURFACES, THE DISTANCE THE CONCRETE IS FINISHED BELOW THE TOP OF THE CIRCLE SHOULD MATCH THE THICKNESS OF THE SURFACE TO BE INSTALLED.