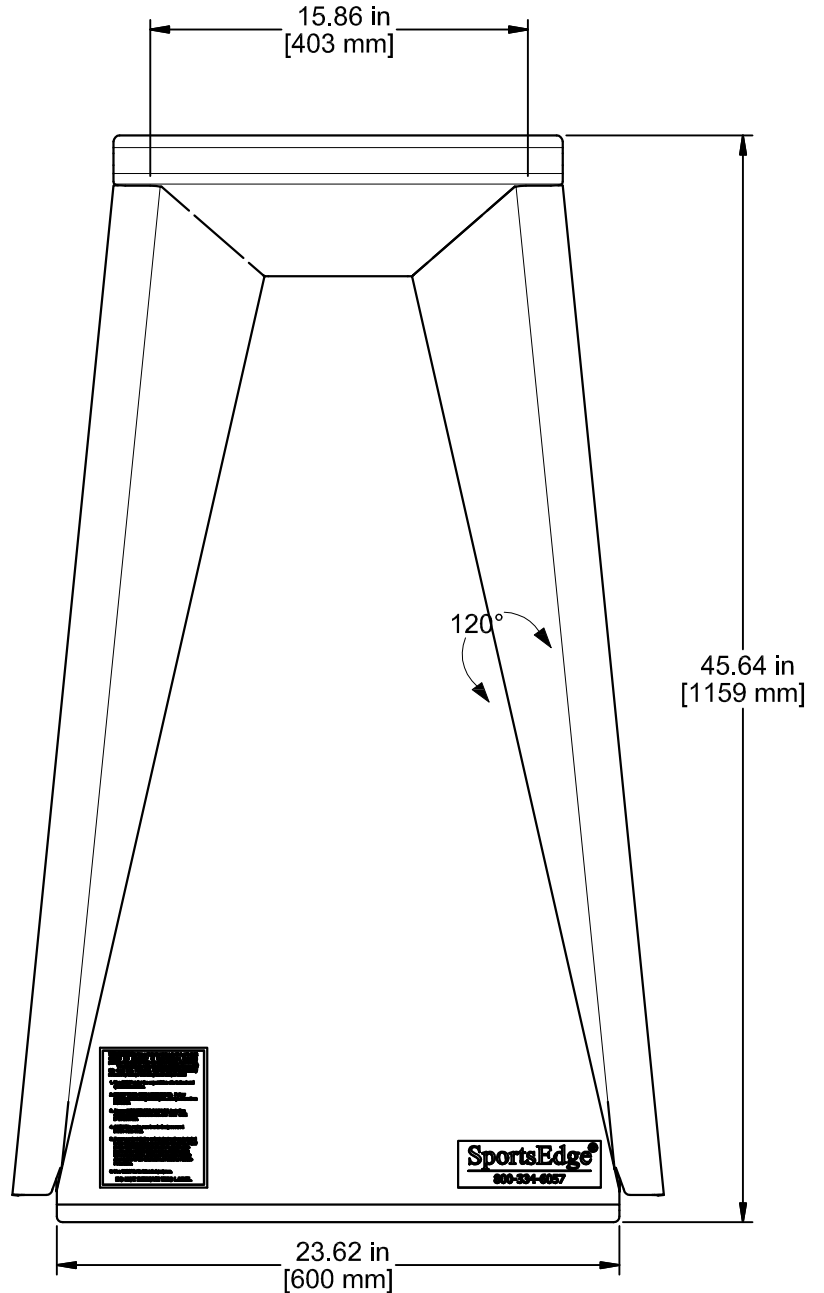
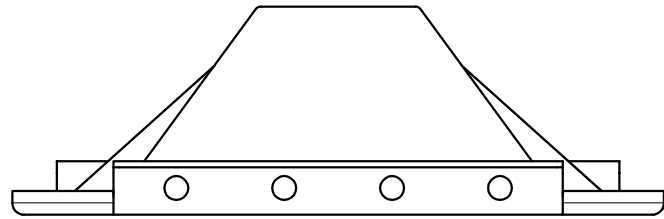
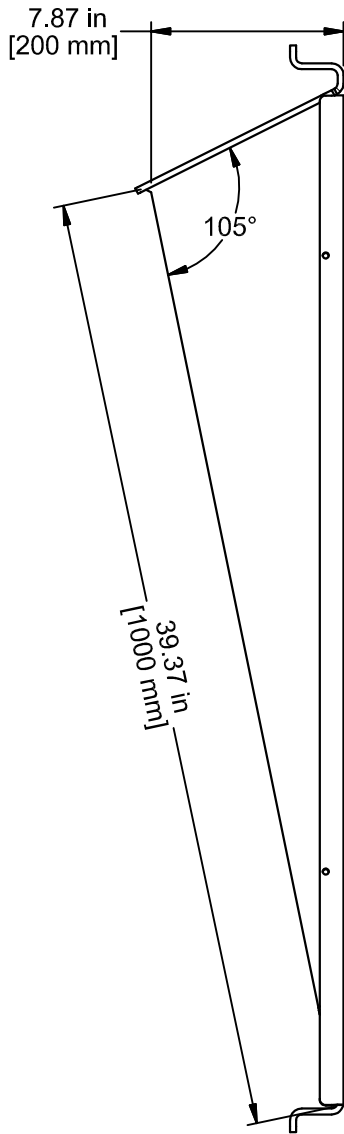


Specifications:

- SE-504 Vault Box is fabricated from 12 gage (0.105" thick) 304 stainless steel.
- Sides and bottom of the box are formed from one piece of stainless steel.
- The back wall is a separate piece of stainless steel, continuous welded to the unit.
- Outside edges are folded down to minimize sharp edges.
- Side of Vault Box has flanges on each side to lock in in the concrete.
- Exterior Surfaces are uncoated.



SportsEdge
 A Division of ABT, Inc.
 P.O. Box 837 / 259 Murdock Road
 Troutman, NC 28166
 (800) 334-6057

PRODUCT DETAIL © 2021 ABT, Inc.

304 STAINLESS STEEL VAULT BOX

PART:

SE504

REV: 00
 10/14/2021

Proprietary rights of ABT, Inc. are included in the information disclosed herein. The recipient, by accepting this document, agrees that neither this document nor the information disclosed herein nor any part thereof shall be copied, reproduced or transferred to others for manufacturing or for any other purpose except as specifically authorized in writing by ABT, Inc.

DISCLAIMER: The customer and the customer's architects, engineers, consultants and other professionals are completely responsible for the selection, installation, and maintenance of any product purchased from ABT, and EXCEPT AS EXPRESSLY PROVIDED IN ABT'S STANDARD WARRANTIES, ABT MAKES NO WARRANTY, EXPRESS OR IMPLIED, AS TO THE SUITABILITY, DESIGN, MERCHANTABILITY, OR FITNESS OF THE PRODUCT FOR THE CUSTOMER'S APPLICATION. Copies of ABT's standard warranties are available upon request.