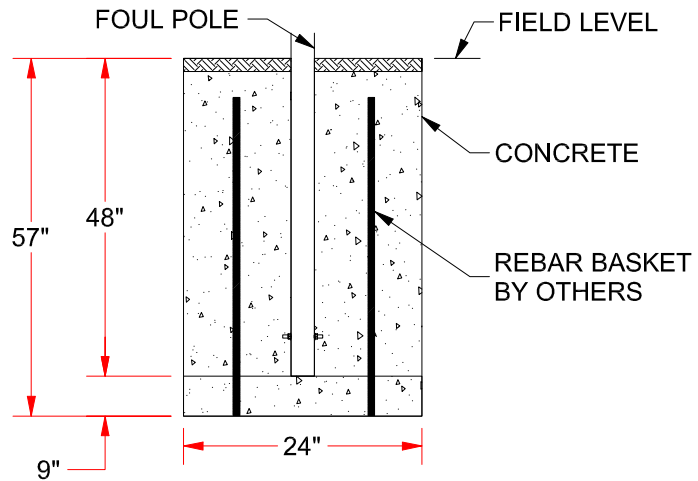


**FEATURES:**

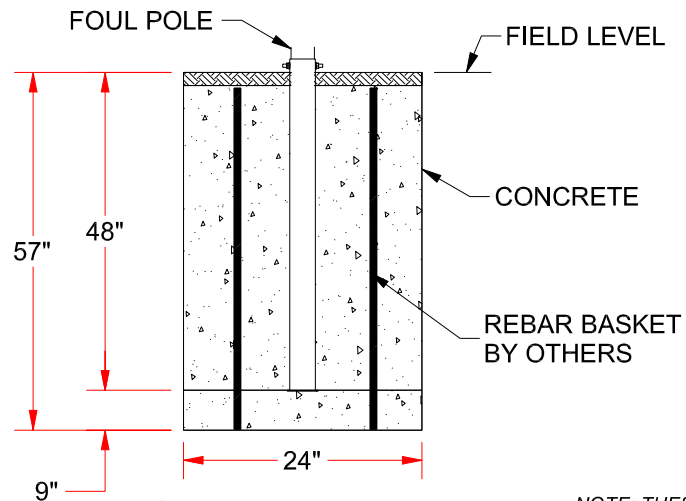
- > SEMI-PERMANENT ONE PIECE WELDED STEEL CONSTRUCTION
- > HEAVY DUTY 3-1/2" STEEL O.D. SCHEDULE 40 UPRIGHT
- > FOUL POLE DESIGNED TO WITHSTAND UP TO 150 MPH WIND
- > TYPICAL FOOTING SHOWN (BASED ON 100 MPH WIND)

**OPTIONAL:**

FOUL POLE MAY BE DESIGNED TO INSTALL ON TOP OF A WALL,  
WHILE MAINTAINING OVERALL HEIGHT OF 20 FT ABOVE FIELD LEVEL.



**PERMANENT FOOTING**



**SEMI-PERMANENT  
GROUND SLEEVE (P/N: FPS-20)**

*NOTE: THESE ARE SUGGESTED  
DIMENSIONS FOR AVERAGE  
SOIL CONDITIONS, CONSULT  
LOCAL BUILDING CODES.*