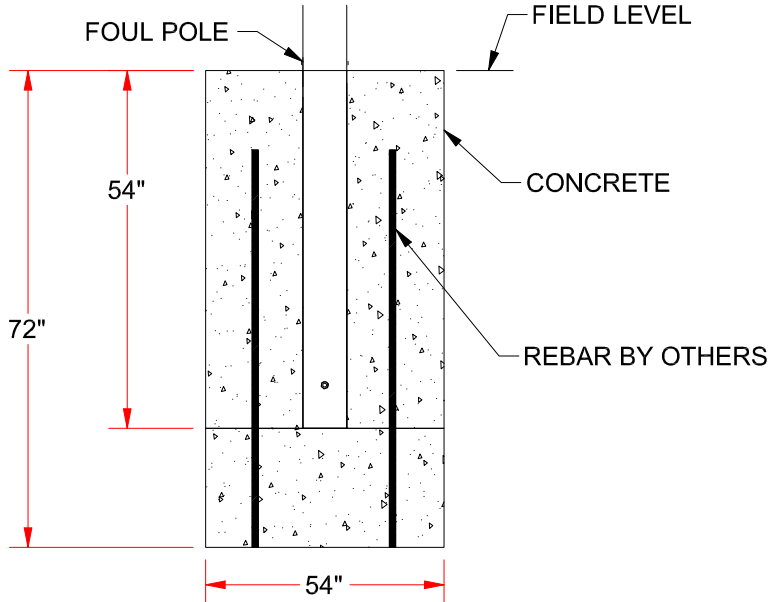


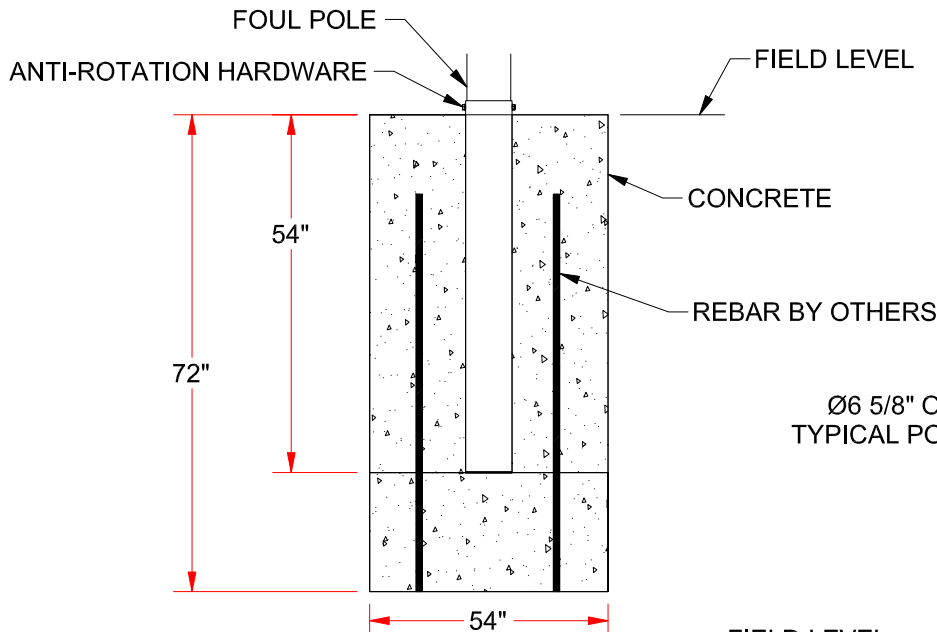
HEAVY DUTY 18" x 60" x 2" x 11 GA. STEEL PERFORATED METAL PANEL

FEATURES:

- > MAIN POLE: 2 PIECE 6 5/8" OD SCH40 STEEL PIPE
- > HEAVY DUTY 18" x 60" x 2" x 11 GA. STEEL PERFORATED METAL PANEL
- > TOUGH POWDER COATED YELLOW FINISH OVER ZINC RICH PRIMER
- > PERMANENT AND SEMI-PERMANENT INSTALLATION
- > FOUL POLE DESIGNED TO WITHSTAND UP TO 130 MPH WIND
- > TYPICAL FOOTING SHOWN (BASED ON 90 MPH WIND)



PREFERTMENT FOOTING



**SEMI-PERMANENT
GROUND SLEEVE (P/N: FPS-40)**

NOTE: THESE ARE SUGGESTED DIMENSIONS FOR AVERAGE SOIL CONDITIONS, CONSULT LOCAL BUILDING CODES.

FIELD LEVEL

Ø6 5/8" O.D.
TYPICAL POLE

