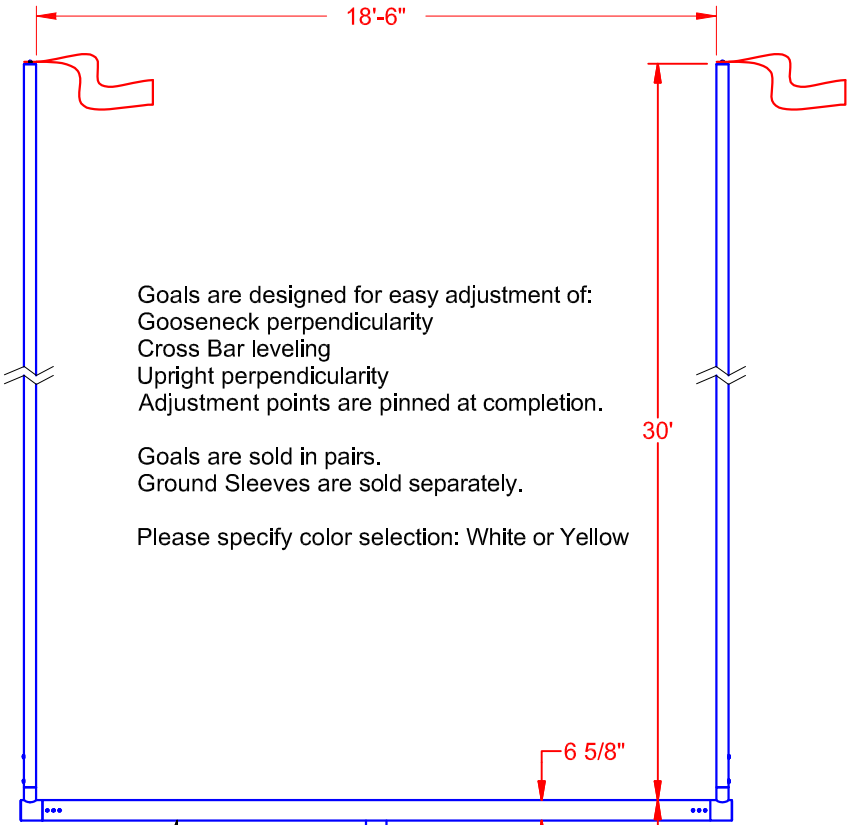


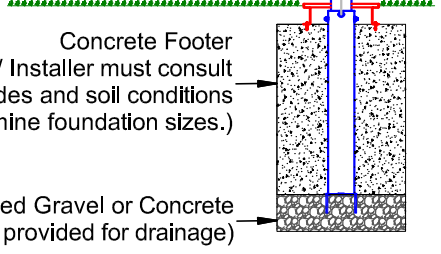
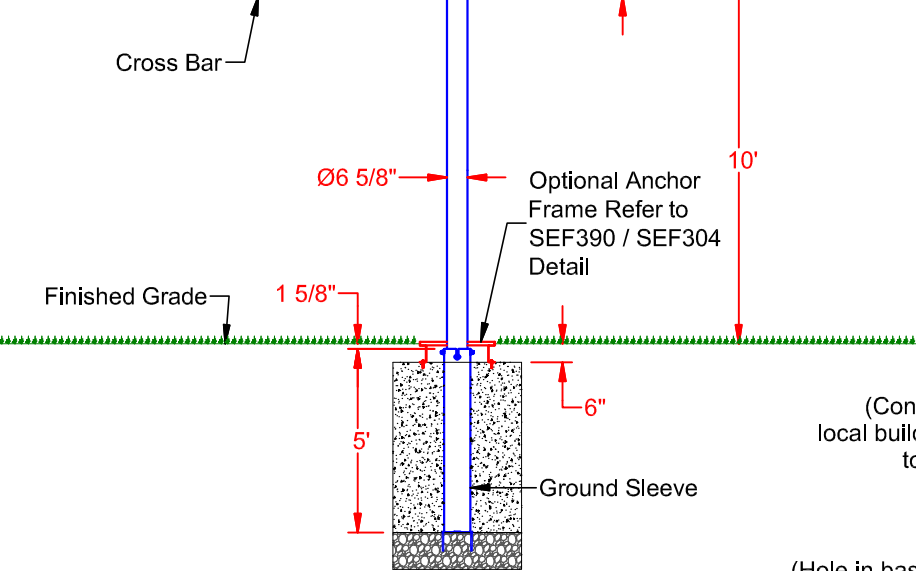
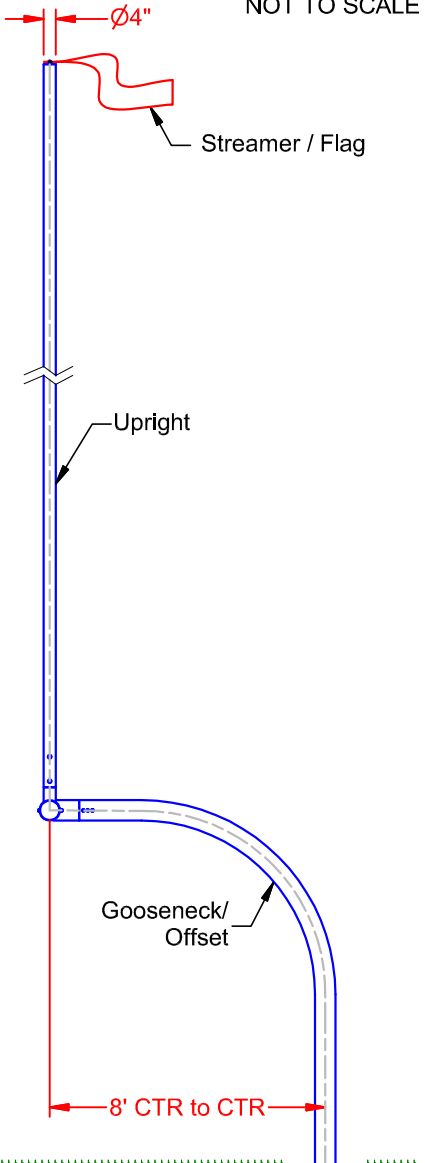
NOT TO SCALE



Goals are designed for easy adjustment of:  
 Gooseneck perpendicularity  
 Cross Bar leveling  
 Upright perpendicularity  
 Adjustment points are pinned at completion.

Goals are sold in pairs.  
 Ground Sleeves are sold separately.

Please specify color selection: White or Yellow



**Model SEF305 - Football Goal Specifications:**

- Ground Sleeve** - 8" Schedule 40 Steel Pipe (8 5/8" x 0.322" Wall), Finish - Powder Coated Gray
- Offset / Gooseneck** - 6" Schedule 40 - 6063-T6 Aluminum Pipe (6 5/8" x 0.280" Wall)
- Cross Bar** - 6" Schedule 40 - 6063-T6 Aluminum Pipe (6 5/8" x 0.280" Wall)
- Uprights** - 4" OD x 0.125" Wall - 6061-T6511 Aluminum Pipe
- Finish** - Powder Coat Yellow or White
- Fasteners** - Stainless Steel
- Foundation Frame and Cover** - Fabricated Access Frame and Aluminum covers w/ Gooseneck Cutout. Solid Covers Available Upon Request

SPECIFICATION DRAWING © 2021 ABT, Inc.

## COLLEGIATE FOOTBALL GOAL GROUND SLEEVE, 8' OFFSET, 30' UPRIGHT

PART: REV: 01  
05/28/2021

Proprietary rights of ABT, Inc. are included in the information disclosed herein. The recipient, by accepting this document, agrees that neither this document nor the information disclosed herein nor any part thereof shall be copied, reproduced or transferred to others for manufacturing or for any other purpose except as specifically authorized in writing by ABT, Inc.

**DISCLAIMER:** The customer and the customer's architects, engineers, consultants and other professionals are completely responsible for the selection, installation, and maintenance of any product purchased from ABT, and EXCEPT AS EXPRESSLY PROVIDED IN ABT'S STANDARD WARRANTIES, ABT MAKES NO WARRANTY, EXPRESS OR IMPLIED, AS TO THE SUITABILITY, DESIGN, MERCHANTABILITY, OR FITNESS OF THE PRODUCT FOR THE CUSTOMER'S APPLICATION. Copies of ABT's standard warranties are available upon request.