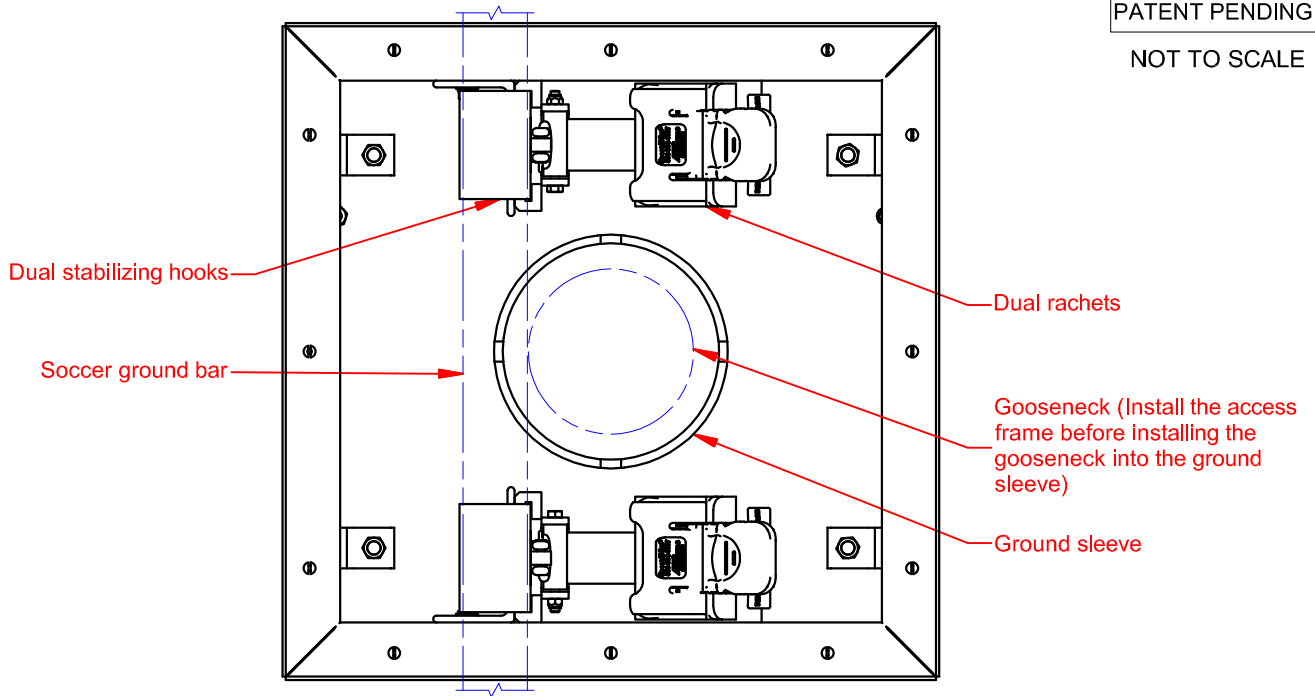
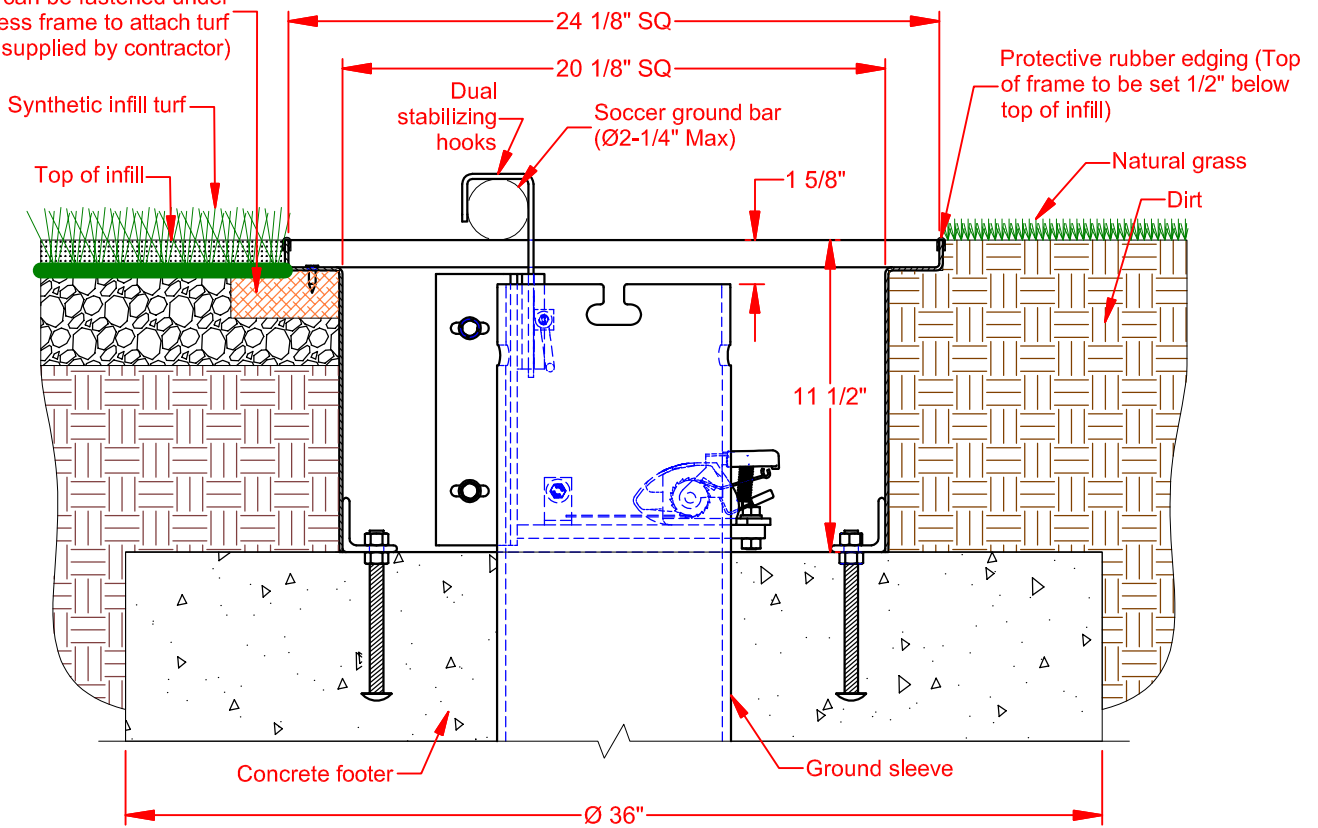


PATENT PENDING

NOT TO SCALE



For infill turf, a treated 2X4 can be fastened under access frame to attach turf (To be supplied by contractor)



SHEET 1 OF 2

SPECIFICATION DRAWING © 2021 ABT, Inc.

SportsEdge
 SAFETY MATTERS
 A Division of ABT, Inc.
 P.O. Box 837 / 259 Murdock Road
 Troutman, NC 28166
 (800) 334-6057

SOCGER GOAL ANCHOR FRAME

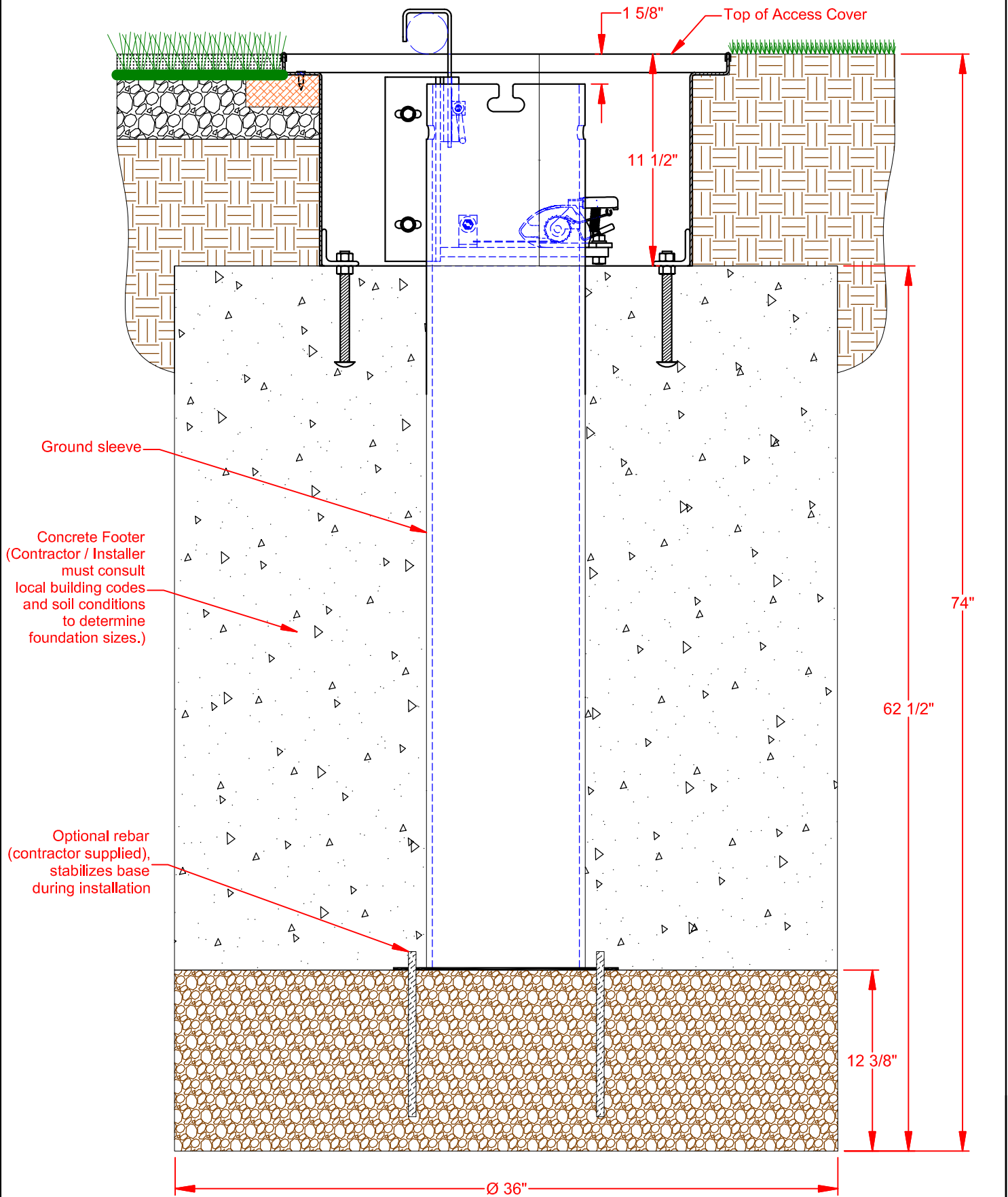
PART:

SEF390

REV: 01
05/28/2021

Proprietary rights of ABT, Inc. are included in the information disclosed herein. The recipient, by accepting this document, agrees that neither this document nor the information disclosed herein nor any part thereof shall be copied, reproduced or transferred to others for manufacturing or for any other purpose except as specifically authorized in writing by ABT, Inc.

DISCLAIMER: The customer and the customer's architects, engineers, consultants and other professionals are completely responsible for the selection, installation, and maintenance of any product purchased from ABT, and EXCEPT AS EXPRESSLY PROVIDED IN ABT'S STANDARD WARRANTIES, ABT MAKES NO WARRANTY, EXPRESS OR IMPLIED, AS TO THE SUITABILITY, DESIGN, MERCHANTABILITY, OR FITNESS OF THE PRODUCT FOR THE CUSTOMER'S APPLICATION. Copies of ABT's standard warranties are available upon request.



NOTE: REFER TO LOCAL BUILDING CODES AND DESIGN DRAWINGS FOR EXACT FOOTING DIMENSIONS AS SOIL CONDITIONS MAY VARY.