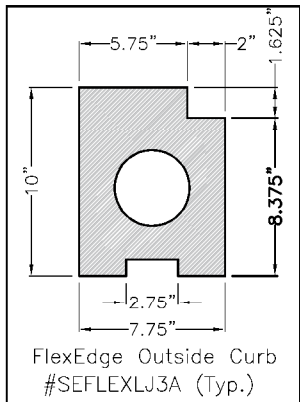


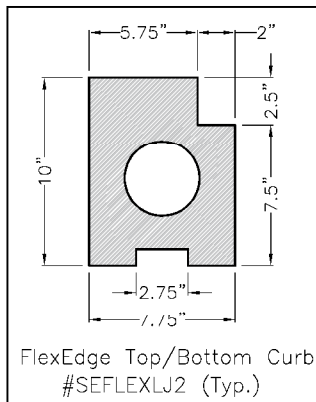
FlexEdge Inside Curb  
Model #SEFLEXLJ3B

SECTION "B"  
(6) SECTIONS



FlexEdge Outside Curb  
#SEFLEXLJ3A (Typ.)

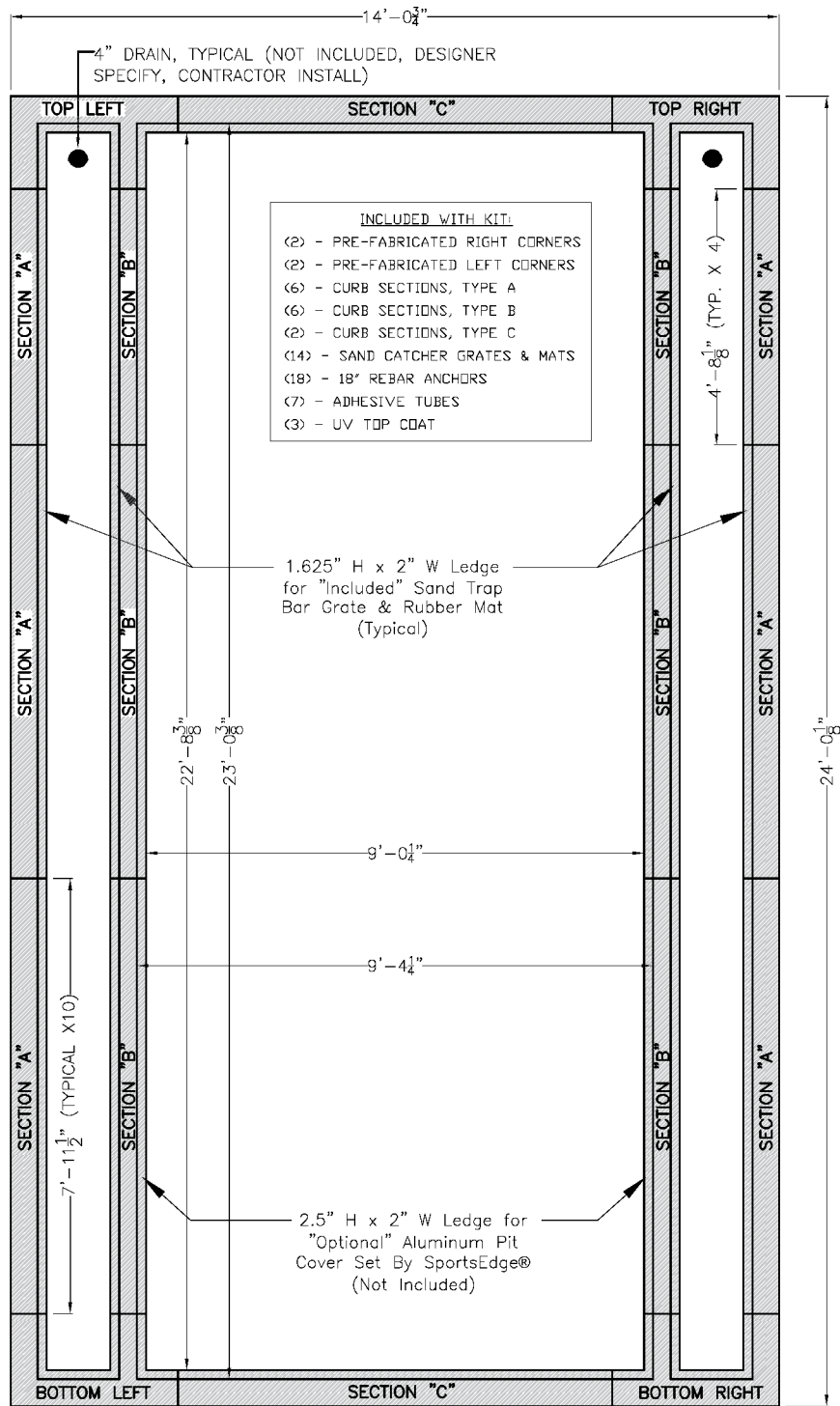
SECTION "A"  
(6) SECTIONS



FlexEdge Top/Bottom Curb  
#SEFLEXLJ2 (Typ.)

SECTION "C"  
(2) SECTIONS

**FlexEdge™**  
Rubber Long Jump Pit Curb  
System w/ Sand Catchers, 23'  
(Includes Sand Catcher Grates & Rubber Mats)  
(Aluminum Pit Cover Set Sold Separately)



Proprietary rights of ABT, Inc. are included in the information disclosed herein. The recipient, by accepting this document, agrees that neither this document nor the information disclosed herein nor any part thereof shall be copied, reproduced or transferred to others for manufacturing or for any other purpose except as specifically authorized in writing by ABT, Inc..

**SportsEdge**  
A Division of ABT, Inc.  
P.O. Box 837 \* 259 Murdock Road  
Troutman, NC 28166  
800-334-6057

TITLE: FlexEdge™ LJ/TJ Sand Pit System With Catchers, 23'

DRAWN BY: M.D.H.

CHECKED BY:

DRAWING NUMBER:

SCALE: NONE

DATE: 6/24/19

**A-**

SEFLEXLJ3K23

DISCLAIMER: The customer and the customer's architects, engineers, consultants and other professionals are completely responsible for the selection, installation, and maintenance of any product purchased from ABT, and EXCEPT AS EXPRESSLY PROVIDED IN ABT'S STANDARD WARRANTIES, ABT MAKES NO WARRANTY, EXPRESS OR IMPLIED, AS TO THE SUITABILITY, DESIGN, MERCHANTABILITY, OR FITNESS OF THE PRODUCT FOR CUSTOMER'S APPLICATION. Copies of ABT's standard warranties are available upon request.