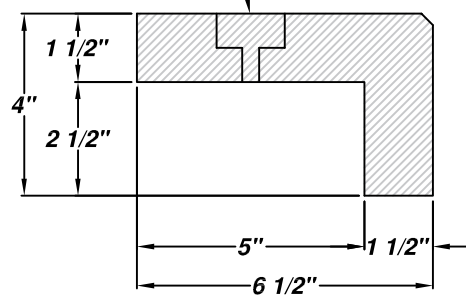
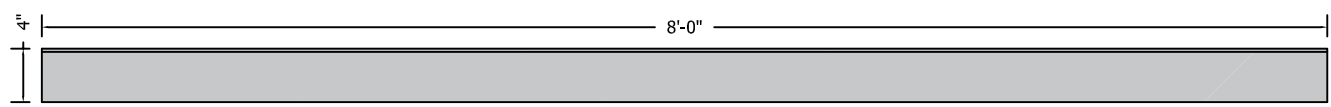


ISO VIEW


COUNTERSUNK ANCHOR
BOLT CAVITY (X5) - 1.5"Ø X .75"
DEEP



SIDE VIEW



FRONT VIEW

 A Division of ABT, Inc. P.O. Box 837 / 259 Murdock Road Troutman, NC 28166 (800) 334-6057	TITLE: SportsEdge® FlexEdge Playground Corner Guard		
	DRAWN BY: B.W.M.	CHECKED BY: N/A	DRAWING NUMBER: A- SEFLEXPBG
	SCALE: NONE	DATE: 03.07.22	

DISCLAIMER: The customer and the customer's architects, engineers, consultants and other professionals are completely responsible for the selection, installation, and maintenance of any product purchased from ABT, and EXCEPT AS EXPRESSLY PROVIDED IN ABT'S STANDARD WARRANTIES, ABT MAKES NO WARRANTY, EXPRESS OR IMPLIED, AS TO THE SUITABILITY, DESIGN, MERCHANTABILITY, OR FITNESS OF THE PRODUCT FOR CUSTOMER'S APPLICATION. Copies of ABT's standard warranties are available upon request.

Proprietary right of ABT, Inc. are included in the information disclosed herein. The recipient, by accepting this document, agrees that neither this document nor the information disclosed herein nor any part thereof shall be copied, reproduced or transferred to others for manufacturing or for any other purpose except as specifically authorized in writing by ABT, Inc..