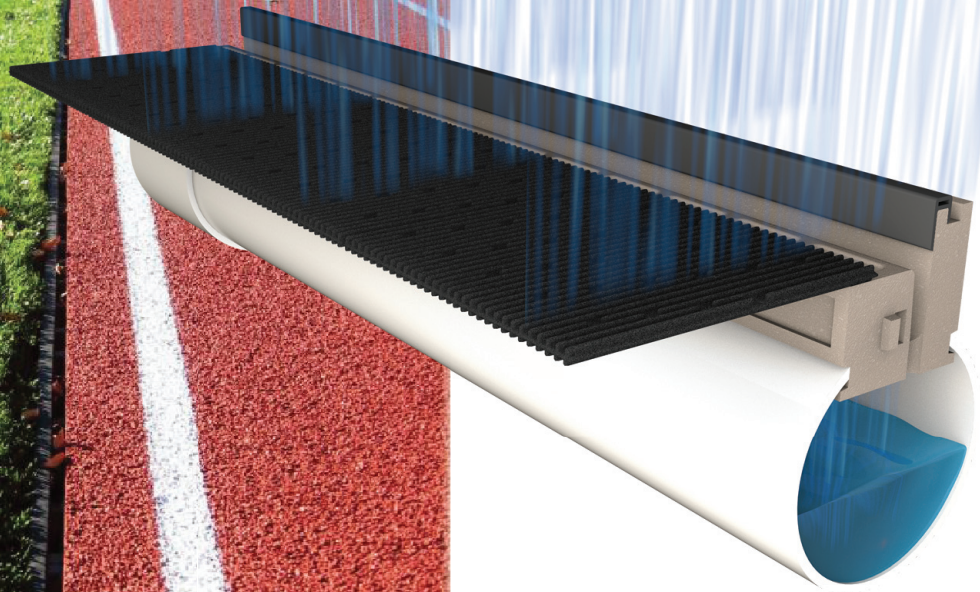




SportsEdge®

Safety. Quality. Versatility. Esthetics.

**The Modern and Cost-Effective Solution for
Track & Field Drainage and Player Safety**

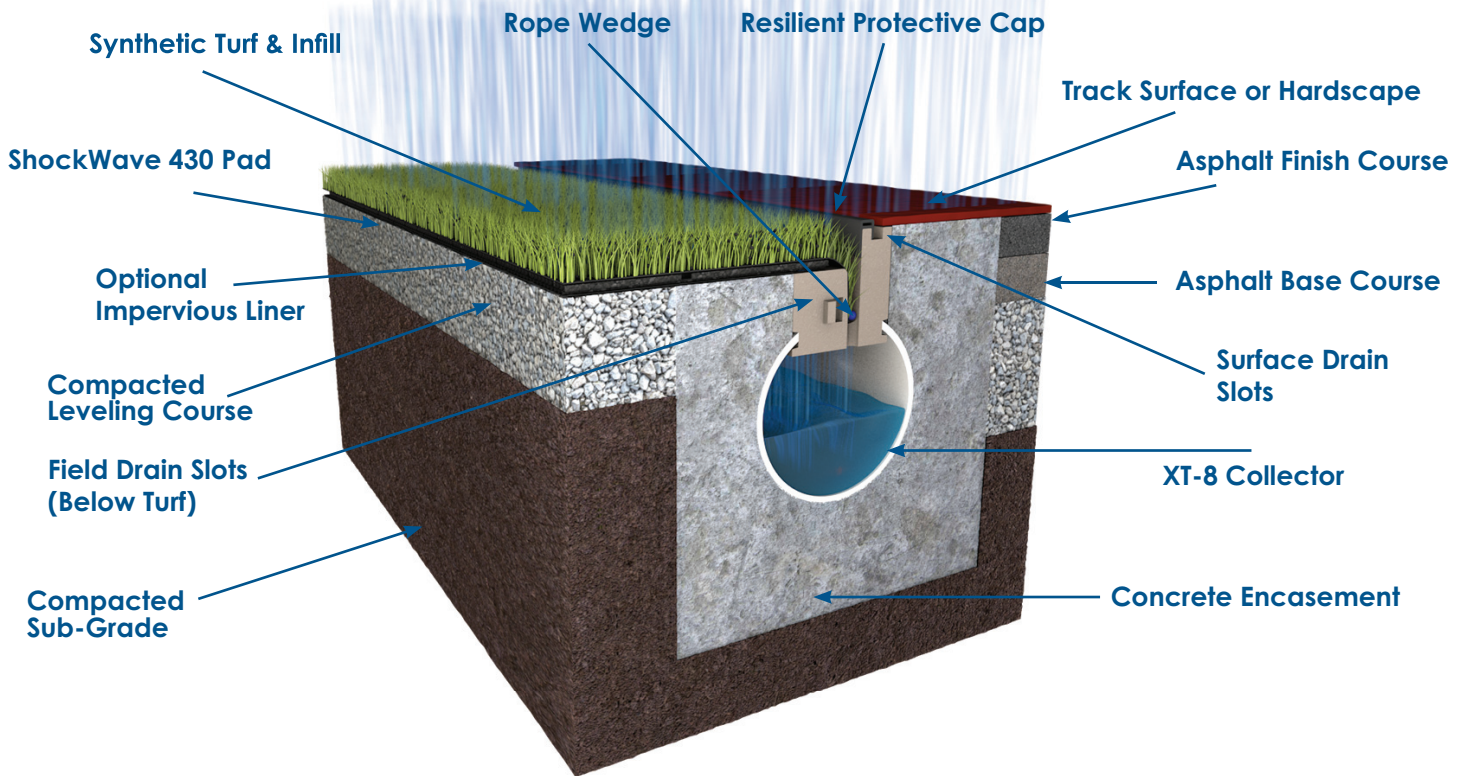


TERMINATOR™

www.sportsedge.com

TERMINATOR™

Patent No.: US 8,894,324 B2



TERMINATOR is the next generation of drainage design for synthetic turf fields and tracks. In a traditional stone drainage base application the TERMINATOR provides a track slot drain that is an attractive and safe transition from track to field. But TERMINATOR can optionally provide a completely self-contained, engineered drainage envelope for all of the storm water on a field, with or without a track.

When used with a traditional stone drainage base, the slot drain evacuates the track and the field drains collect the excess rainwater that makes it to the sidelines during heavy downpours. Meanwhile, the playing surfaces are not interrupted by grates, concrete borders or elevation changes.

TERMINATOR offers an option for complicated site conditions such as inferior, inconsistent or even expansive soils and high water tables. For complete field drainage, TERMINATOR is built over an impervious liner. Rainwater that passes through the turf enters the drainage channels of the ShockWave on the upper side of the pad. These channels are oriented down the cross-slope to the sidelines and drain directly into the XT-8 Collector. The XT-8 Collector carries the water to the catch basins where it is

conveyed directly to the designed outfall or catchment system. Any overflow surface runoff from the field can enter the Collector through the slot drain.

TERMINATOR takes up minimal surface and below-grade space. All storm water collection takes place within three inches of the surface and within a twelve inch depth at the field edge. Well-draining fields can now be built on sites with mixed sub-grade soil types.....even on expansive soils, without the cost of stripping and replacing materials.

TERMINATOR, with properly spaced outlets and downstream storm drainage, takes the guesswork out of field drainage. Guaranteed performance every time, under any conditions. TERMINATOR is the faster, easier and smarter way to drain synthetic turf fields and tracks.

Improve Appearance & Safety... Overcome Poorly Draining Soils... Lower Environmental Impact... Reduce Construction Costs...

THREE FUNCTIONS IN ONE SYSTEM

TERMINATOR serves the function of three traditionally installed individual systems:

1. Track Drain – The integral slot drain takes the place of a stand-alone track drain. The 12mm wide slot is ADA compliant and drains into the XT-8 Collector below.
2. Field Drain –The ShockWave 430 pad delivers anything nature can throw at your field because it has the highest lateral drainage rate in the industry. If you are designing for 100% vertical-to-horizontal drainage, you can eliminate drainage stone, panel drains and sideline collector pipe trenches. TERMINATOR is designed to do the work of all three.
3. Turf Anchor – Between the track drain and the field drain is a tuck slot for anchoring the synthetic turf. No need to build a separate concrete and wooden nailer that is time consuming and expensive to build and can corrode over time. A non-biodegradable anchor rope is delivered with the TERMINATOR system.

BETTER BIOMECHANICAL PERFORMANCE

The right shock pad together with a properly tuned turf system will offer the correct balance between impact attenuation and drainage. The ShockWave 430 pad provides significantly reduced G-max values as well as excellent sports performance characteristics. Cushioning provided by the ShockWave 430 is consistent across the playing surface and will outlast the original turf. Pile heights and infill depths can be reduced, minimizing infill migration and localized compaction. Bottom line... your turf stays safer longer.

ENHANCE APPEARANCE WITH AN ATTRACTIVE EDGE DETAIL

No need for metal or plastic grates that can corrode, break and create tripping hazards. TERMINATOR does its job out of sight, below the turf. Only the 12mm wide resilient rubber divider is visible in the final installation.

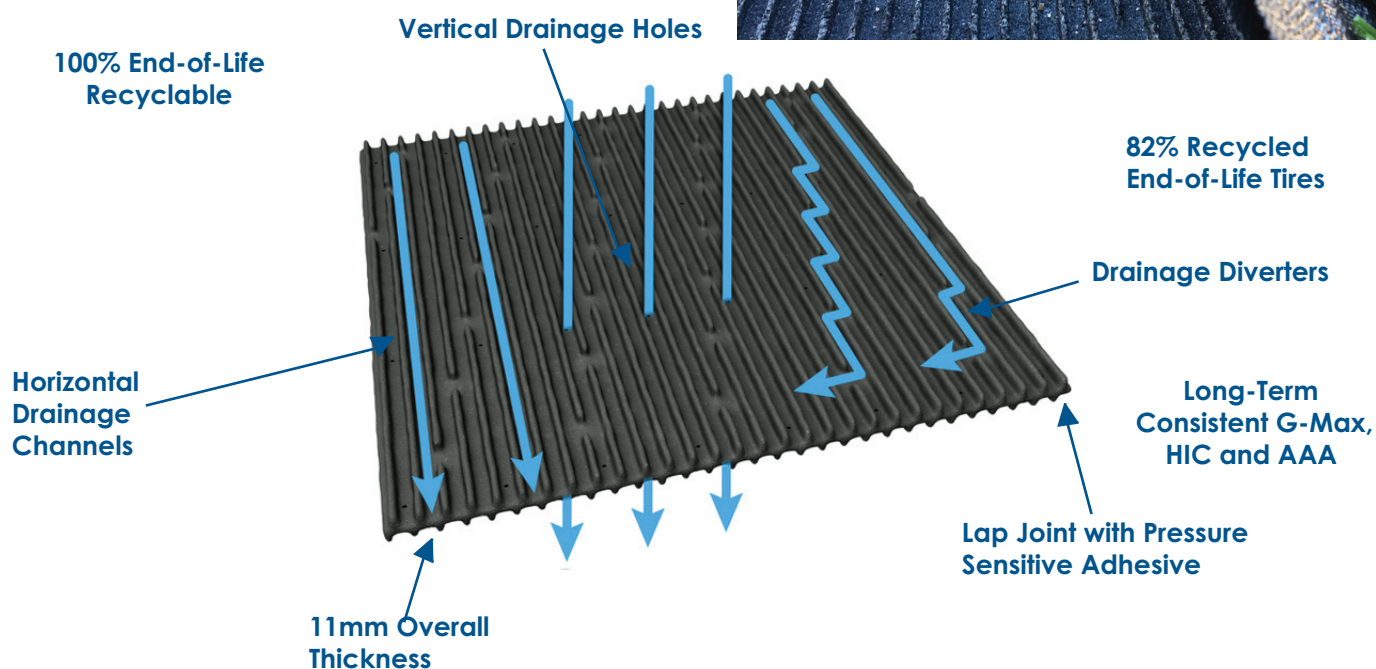
EARTH AND BUDGET FRIENDLY

Less excavation, soil displacement and imported materials means less environmental disturbance and less pollution from equipment and materials delivery. TERMINATOR can eliminate hundreds of truck deliveries and reduce deterioration of local roadways. Consequently, construction schedules are positively impacted, saving time and money.



ShockWave 430

Stormwater is carried by the channels in the ShockWave pad...

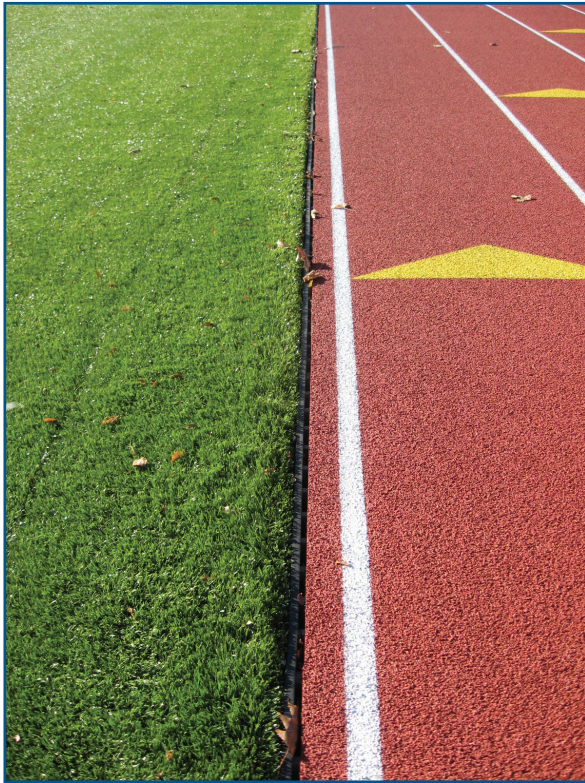


ShockWave 430, manufactured and warranted by En-Plast Technologies, provides excellent shock attenuation and excellent vertical and horizontal drainage. ShockWave is made on patented, state-of-the-art equipment from end-of-life tires (ELT) and encapsulated in an elastomer polyolefin composite. The modern technology assures a consistent, homogeneous product bringing excellent biomechanical performance and player safety to every square inch of the field.

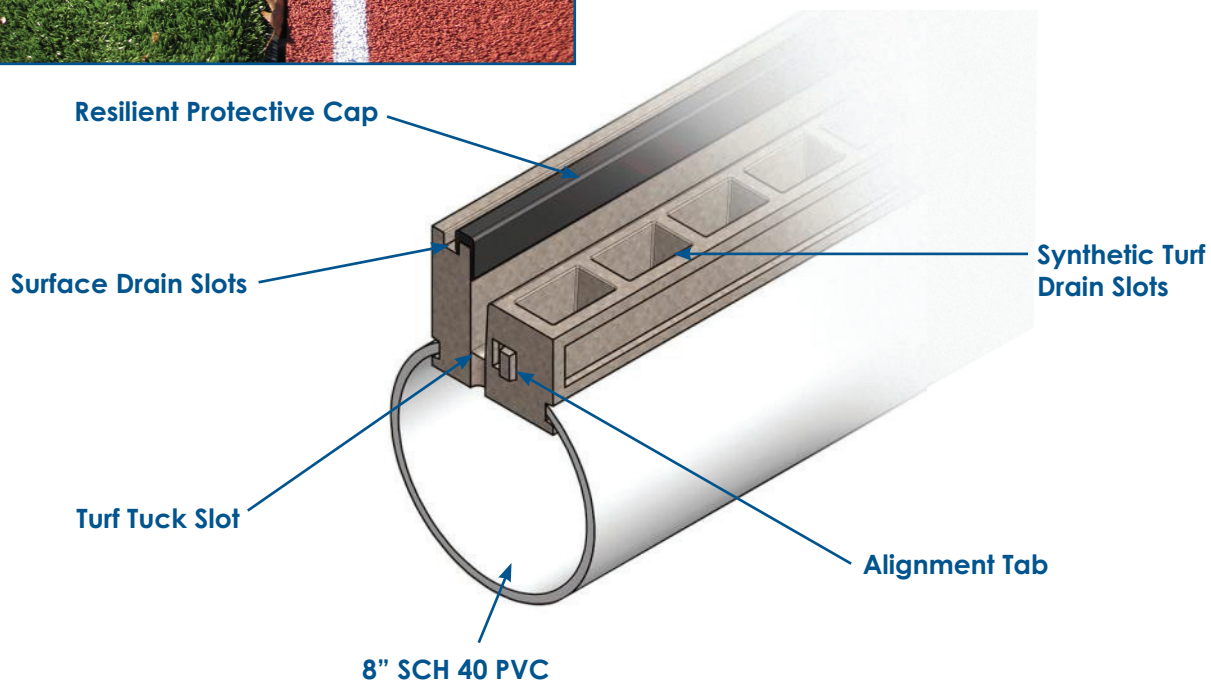
Shock absorption in synthetic turf systems is greatly determined by infill type, composition, size and shape. Age, compaction, migration of infill and poor maintenance can seriously degrade the performance of a field. With TERMINATOR, shock attenuation is significantly determined by the ShockWave pad so age and maintenance have less impact on the safety of the field.

The 30 pcf density of ShockWave 430 helps the pad “lay flat and stay flat” during installation resisting wind lift and displacement. It also reduces the chance for flotation compared with lower density pads. ShockWave is manufactured in rolls that span the full width of the field and employ a pressure sensitive adhesive (psa) strip at the joints that bind the individual rolls into a monolithic unit. The friction against the subgrade and adjacent carpet helps minimize the expansion and contraction common in shock pads exposed to the sunlight during installation.

The ShockWave 430 has been tested against all the acceptable standards of G-max, HIC and Advanced Artificial Athlete (AAA) and is protected against loss of sports performance and physical deterioration with a 25 year warranty. As such, it will perform as designed for multiple turf cycles.



... and empties into the
**XT-8 Collector, which
conveys it to the
catch basins.**



The XT-8 Collector is fashioned after the time-tested SportsEdge XT Slot Drain. The one-meter long polymer concrete riser is factory installed to the 8" Sch 40 PVC pipe.

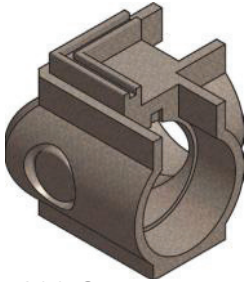
Features of the product include a slot drain on the track side, large inlets for drainage on the field side and a tuck slot for securing the edge of the synthetic turf. Tongue & groove alignment tabs and split PVC couplers keep sections aligned during installation. Weep holes in the tuck slot will drain any water that may collect there. A 3/8" high resilient cap masks any exposed polymer concrete in the final installation creating a zero elevation

change from track to field and a drainage system that is safe and almost invisible.

Properly configured, the inflow capacity of the XT-8 Collector exceeds most storm intensities dictated by regulatory agencies. Use the runoff parameters for a given site to determine the number of catch basins used in the layout, it's that simple!

The XT-8 Collector will channel all of the storm water that falls on the facility, where it can be directed to infiltration, detention, treatment or discharge from the site.

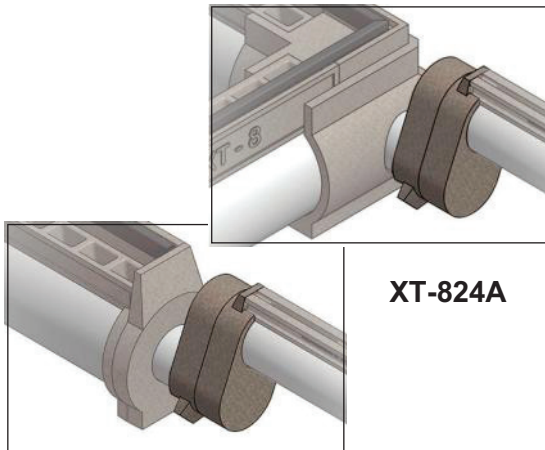
Accessories



90° - CORNER PIECE

The universal corner connector is used when TERMINATOR™ is installed on the full perimeter of a field, typically on stand-alone synthetic turf field. The corner piece offers visual continuity and provides turf anchoring and drainage right into the corners.

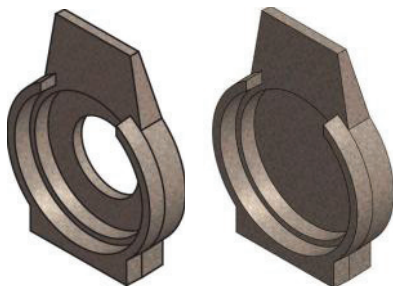
XT-890 C



XT-824A

XT-4 To XT-8 ADAPTER

When TERMINATOR is used on all four sides of a field inside of a track, the adapter connects the XT-4 radius drain to the system. The reversible adapter can be used on the left and right sides. When no drainage structure is required across the D-Area, the adapter is used to connect the XT-8 Collector directly to the XT-4 Track Drain. The offset keeps the track drain slot of both systems aligned.



XT-8EC4

XT-8EC

END CAPS

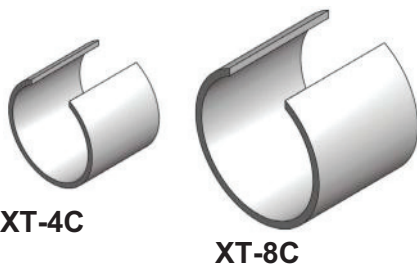
A special adapter plate XT8EC4 connects the XT-4R with the XT-8 Collector creating a continuous 400 meter drainage loop. The XT8EC closing end cap is used to terminate a run.



2790XT-8

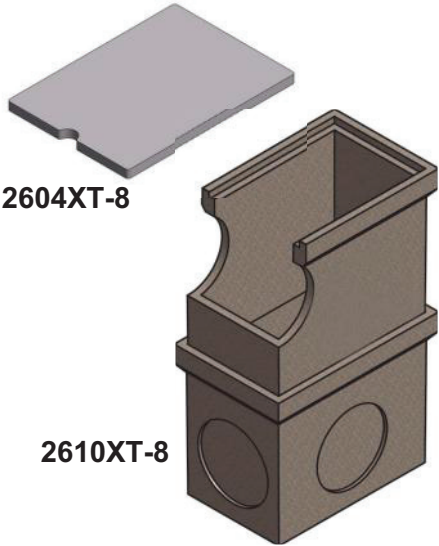
RESILIENT EDGING

The resilient cap covers the only polymer concrete at the surface, enhancing athlete safety. Where a track surface is not present, a cap can be installed on both sides of the drain slot.



SPLIT COUPLERS

These couplers help seal the drain system and align the joints of the XT-4 Track Drain and the XT-8 Collector. They also help prevent movement of the drain during concrete placement.



XT-8 COLLECTOR CATCH BASIN & COVER

The two-stage in-line catch basin can be installed anywhere along the TERMINATOR run. It provides 4 cutouts for an 8" outlet that drains the catch basin to the site collection system. In situations where depths are limited, the single-stage top section can be used alone. It can provide outlet cutouts on 3 sides. Additional risers can extend the basins deeper when necessary.



XT-4 CATCH BASIN & COVER

In-line catch basins with removable covers can be placed anywhere in the XT-4R runs if it is determined that additional outlet capability is required.

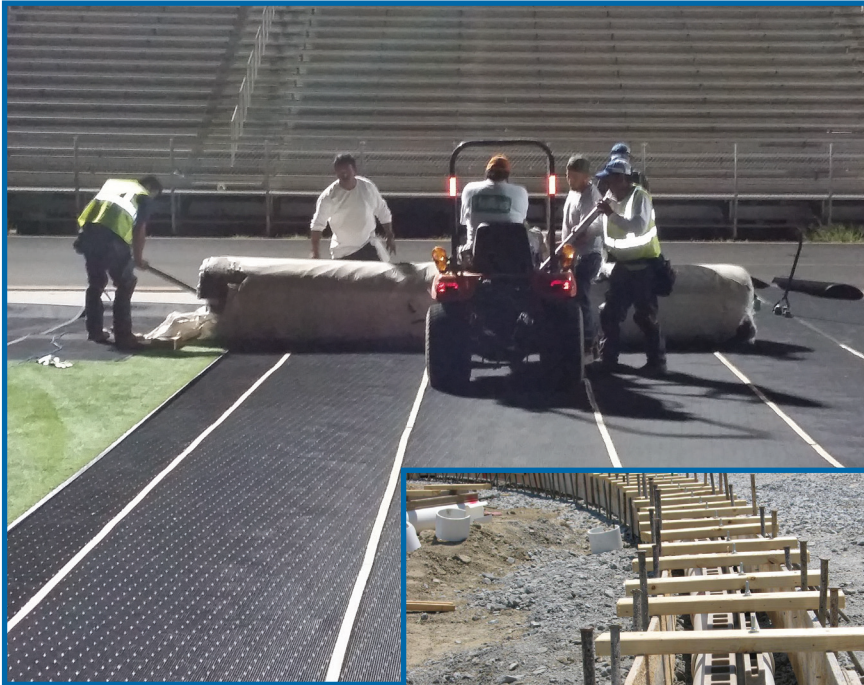


RADIUS TRACK DRAIN

When D-Zones are paved, the XT-4R is installed at the radii. The .47 inch slot is ADA compliant. One meter sections are pre-radiused (R = 36.5 meters) but will work with most typical track radii.

TERMINATOR™

The Modern and Cost-Effective Solution for Track & Field Drainage and Player Safety



All Products Available in Canada and Mexico

DISCLAIMER: The customer and the customer's architects, engineers, consultants and other professionals are completely responsible for the selection, installation, and maintenance of any product purchased from ABT, and EXCEPT AS EXPRESSLY PROVIDED IN ABT'S STANDARD WARRANTIES, ABT MAKES NO WARRANTY, EXPRESS OR IMPLIED, AS TO THE SUITABILITY, DESIGN, MERCHANTABILITY, OR FITNESS OF THE PRODUCT FOR CUSTOMER'S APPLICATION. Copies of ABT's standard warranties are available upon request.



SportsEdge®
Safety. Quality. Versatility. Esthetics.

800.334.6057
www.sportsedge.com

ABT, INC.